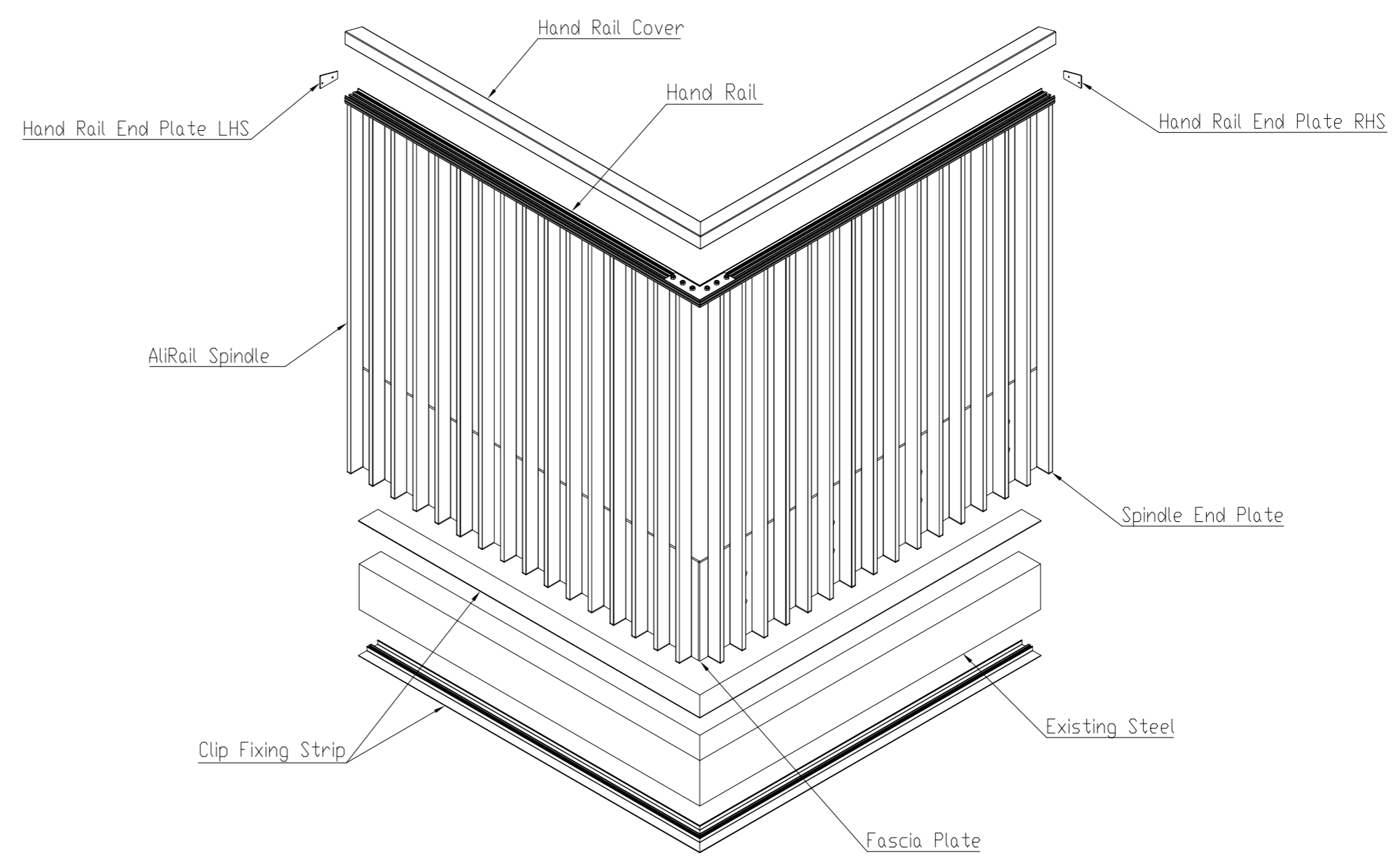


Corner Detail



Exploded View

Colour : Any Standard RAL Colour



From
This drawing and the product it displays is the sole property of The Milwood Group any reproduction of this drawing or product without the written permission of The Milwood Group is prohibited.

Drawing Title:
(AliRail Spindle System)-(Top & Bottom Fix Spindle)
- (Standard Drawing)

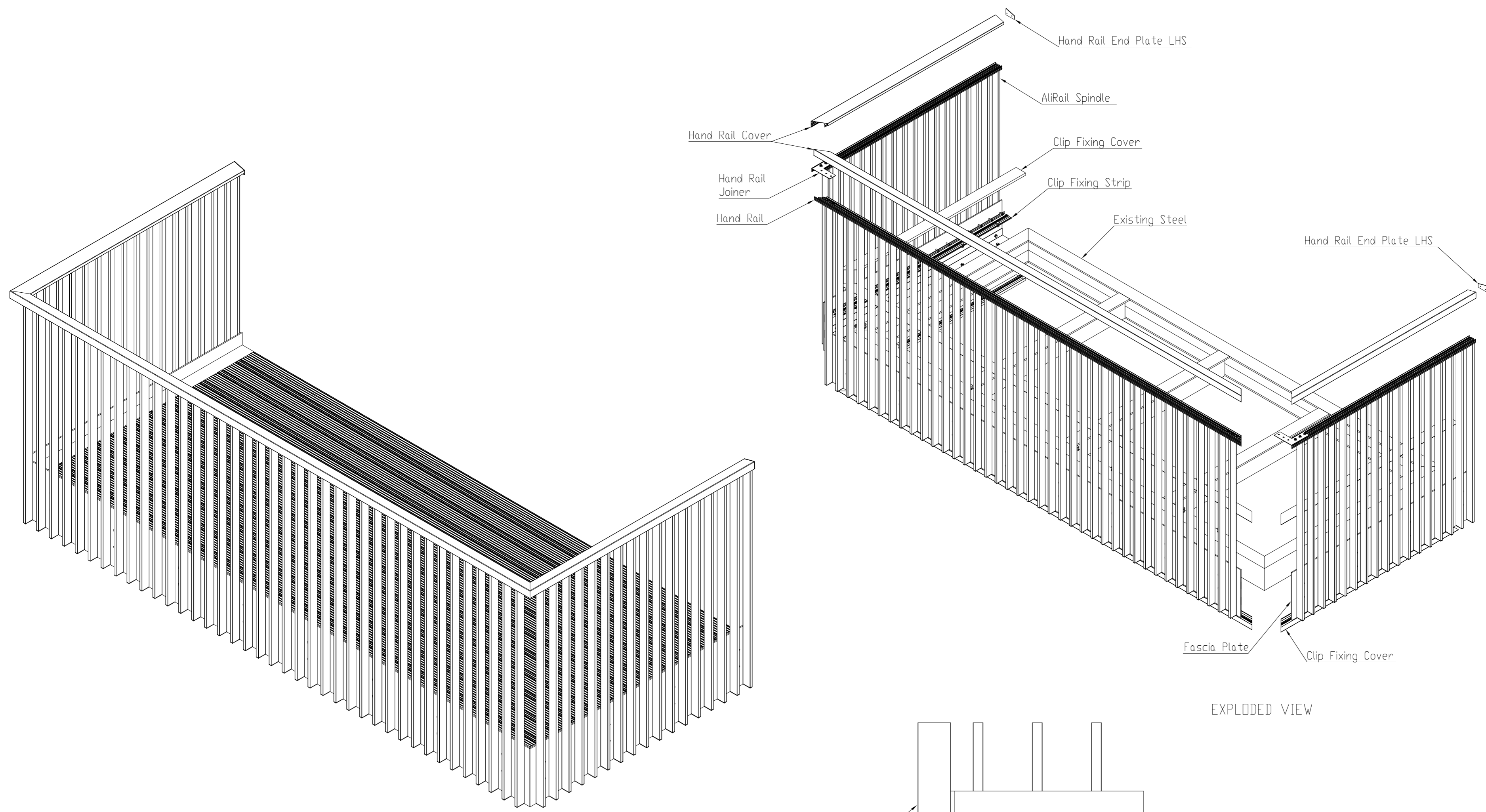
Product:
AliRail Spindle System

Date	Page Size	Scale	Drawn
19-10-22	A2 (L)	1:3	Shyam
Issuer	Sequence	(Tol)	Rev
MIL	000001	+/- mm	V1

If in any doubt about details on this drawing call us on 0822 255 672

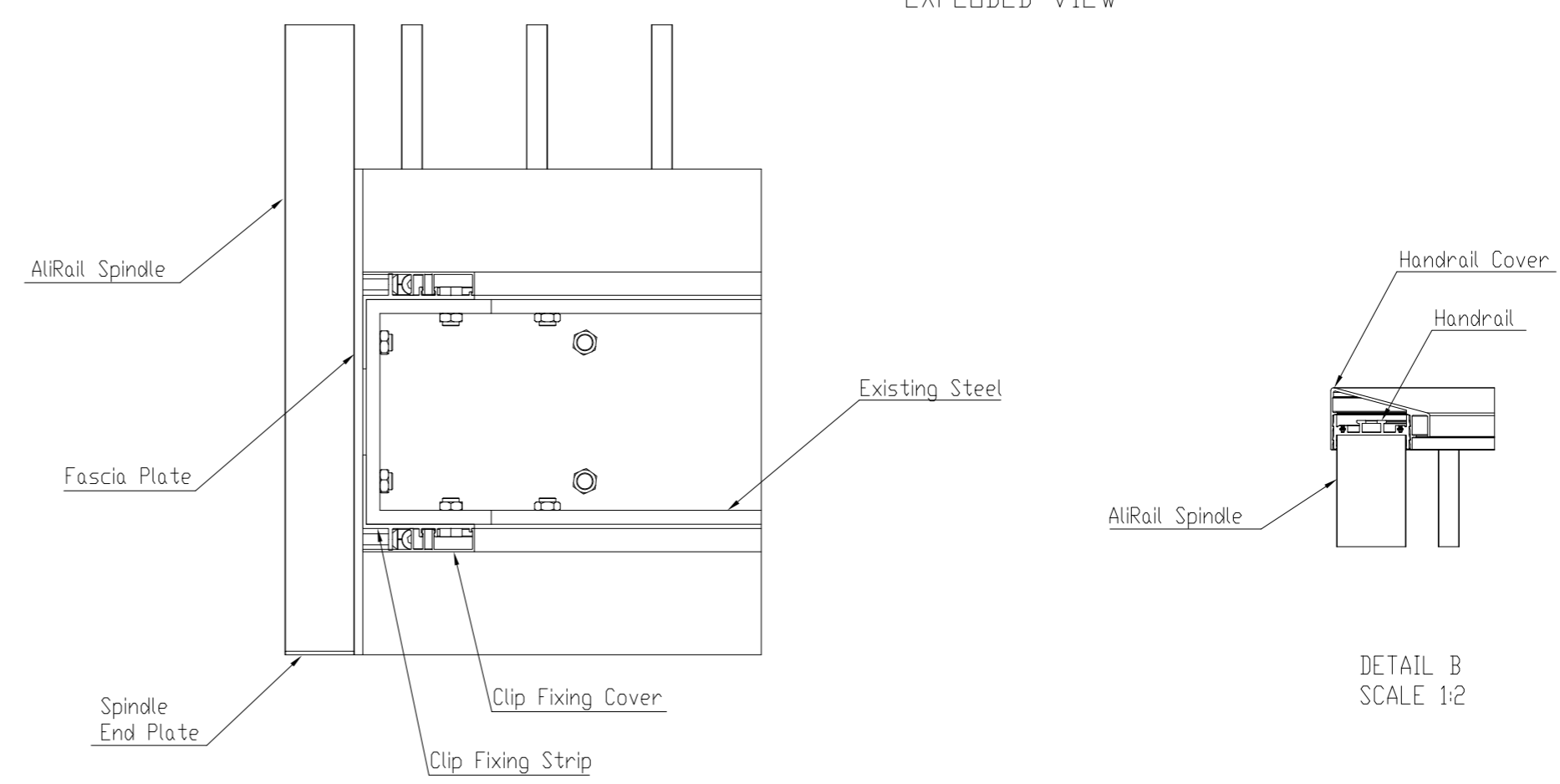
Finish
PPC

Page
1 of 2



EXPLODED VIEW

ISOMETRIC VIEW



DETAIL A SCALE 1:2

DETAIL B SCALE 1:2

CROSS SECTION DETAILS

- Notes:
- Balcony kit can be manufactured to any length or width.
 - The AliRail Vertical Infill Spindle Balustrade System has been subjected to independent testing for load performance. The Plate Fix option achieved 0.74kn/m loading while the Top-Fix option achieved 1.5kn/m. Test result data is indicative only and loading performance for individual balcony designs is the responsibility of the balcony designer.
 - AliRail is constructed completely from 100% aluminium (6063 T6 grade).

Colour : Any Standard RAL Colour



From
 This drawing and the product it displays is the sole property of The Milwood Group. Any reproduction of this drawing or product without the written permission of The Milwood Group is prohibited.

Drawing Title:
 (AliRail Spindle System)-(Top & Bottom Fix Spindle) - (Standard Drawing)

Product:
 AliRail Spindle System

Date	Page Size	Scale	Drawn
19-10-22	A2 (L)	1:3	Shyam
Issuer	Sequence	(Tol)	Rev
MIL	000001	+/- Inn	V1

If in any doubt about details on this drawing call us on 0622 255 672



Finish
 PPC

Page
 2 of 2