

Colour : Any Standard RAL Colour

From
This drawing and the product it displays is the sole property of The Milwood Group any reproduction of this drawing or product without the written permission of The Milwood Group is prohibited.

MILWOOD GROUP
ALUMINIUM DESIGN GROUP
Quality. Creativity. Passion. Systems.

Drawing Title:
(AllRail Top Fix PFC Spindle System) - (Standard Drawing)

Product:
AllRail Spindle System

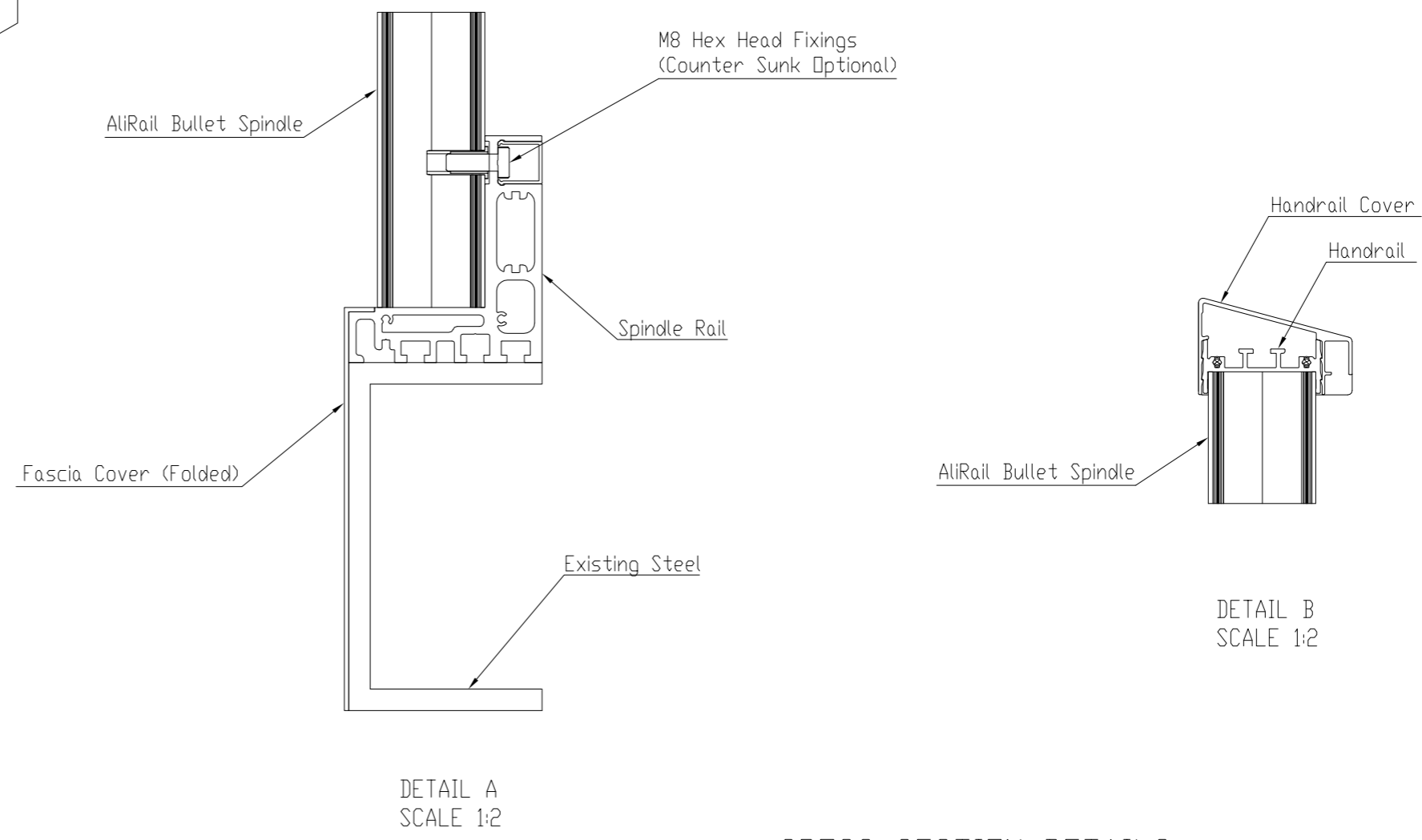
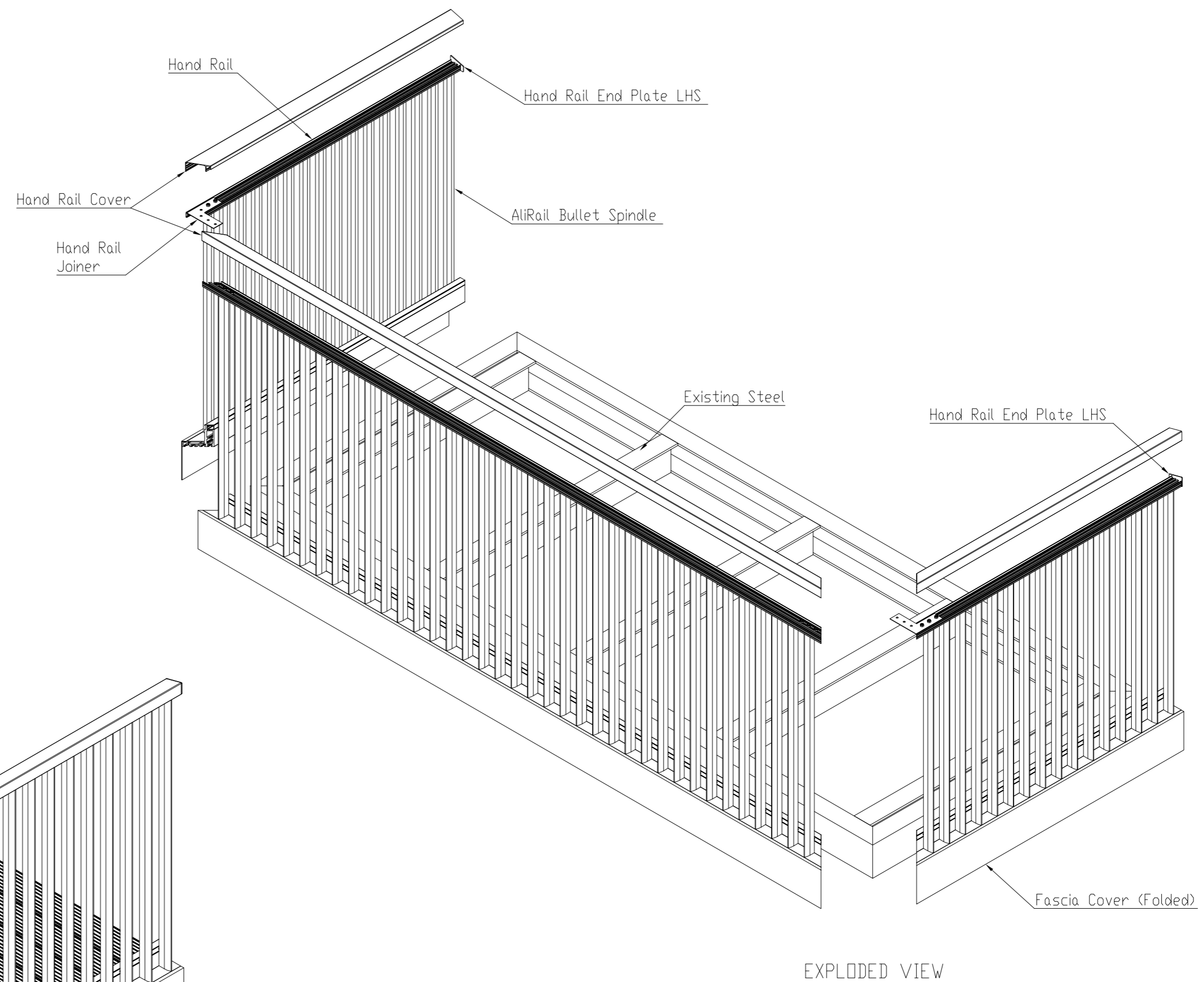
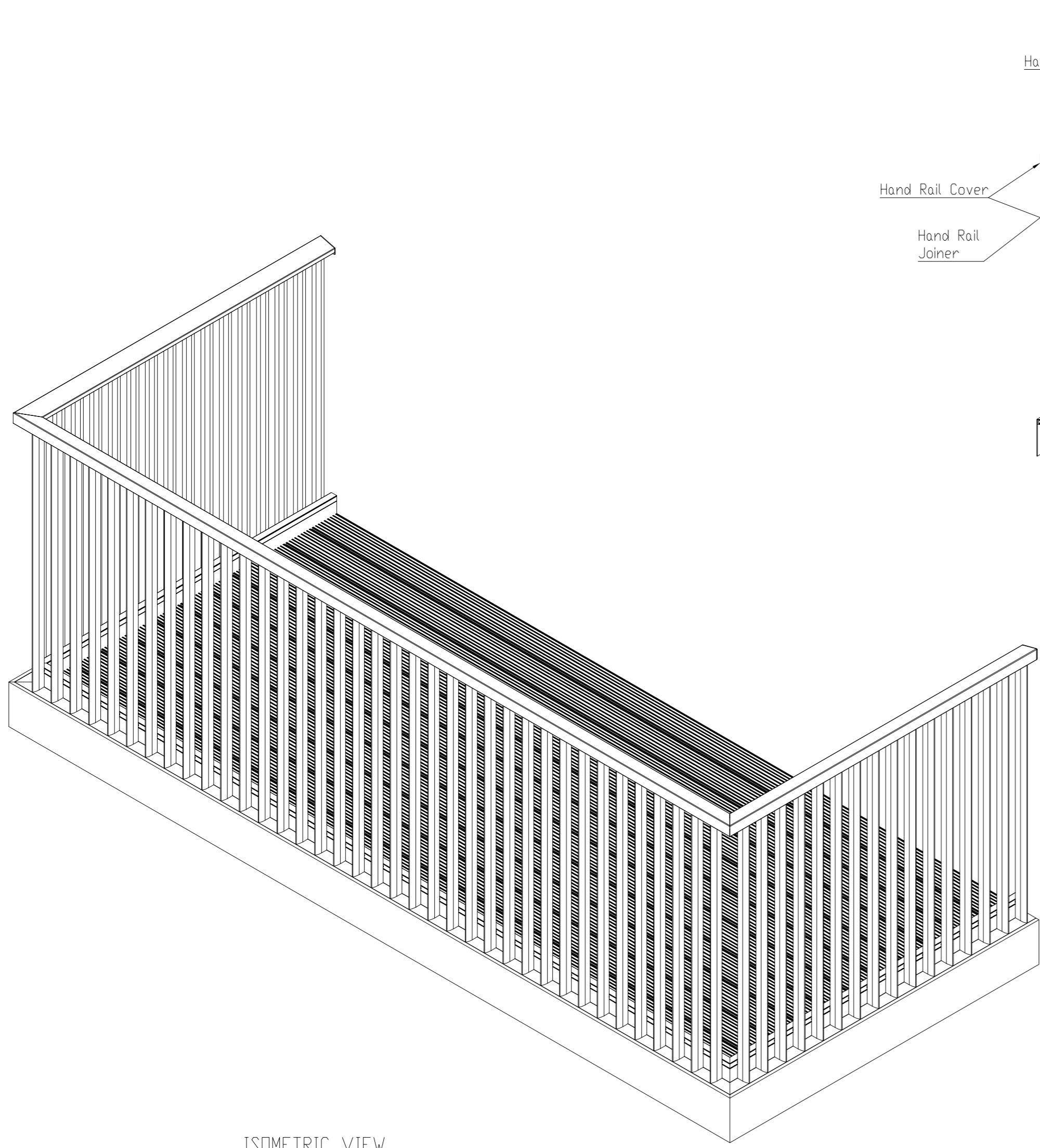
Date	Page Size	Scale	Drawn
17-03-23	A2 (L)	1:3	Shyam
Issuer	Sequence	(Tol)	Rev
MIL	000001	+/- mm	V2

If in any doubt about details on this drawing call us on 0822 255 672

3rd Angle Projection

Finish
PPC

Page
1 of 2



- Notes:
- Balcony kit can be manufactured to any length or width.
 - The AliRail Vertical Infill Spindle Balustrade System has been subjected to independent testing for load performance. The Plate Fix option achieved 0.74kn/m loading while the Top-Fix option achieved 0.74kn/m. Test result data is indicative only and loading performance for individual balcony designs is the responsibility of the balcony designer.
 - AliRail is constructed completely from 100% aluminium (6063 T6 grade).

Colour : Any Standard RAL Colour



From
 This drawing and the product it displays is the sole property of The Milwood Group any reproduction of this drawing or product without the written permission of The Milwood Group is prohibited.

Drawing Title:
 (AliRail Top Fix PFC Spindle System) - (Standard Drawing)

Product: AliRail Spindle System			
Date 17-03-23	Page Size A2 (L)	Scale 1:3	Drawn Shyam
Issuer MIL	Sequence 000001	(Tol) +/- Inn	Rev V2

If in any doubt about details on this drawing call us on 0822 255 672

Finish
PPC

Page
2 of 2