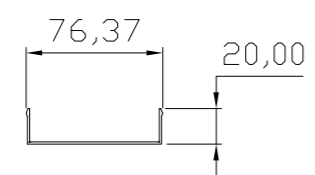
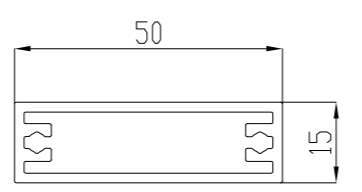


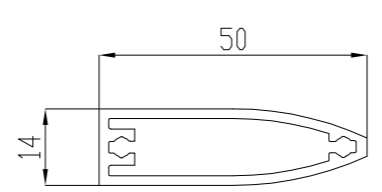
Concrete Rail Adapter
Available 6m Long
SCALE 1:1



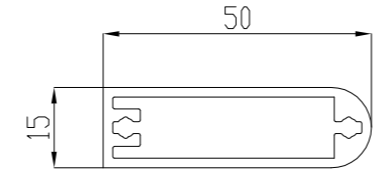
Concrete Rail Adapter Trim
Available 6m long
SCALE 1:1



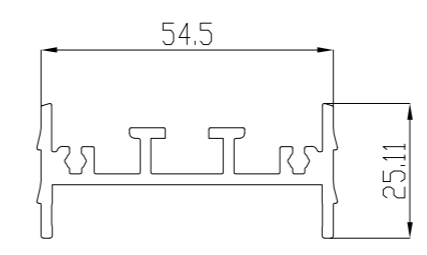
Standard Spindle
Available 6m long
SCALE 1:1



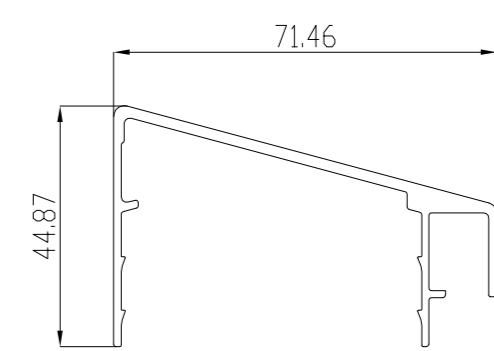
Bullet Spindle
Available 6m long
SCALE 1:1



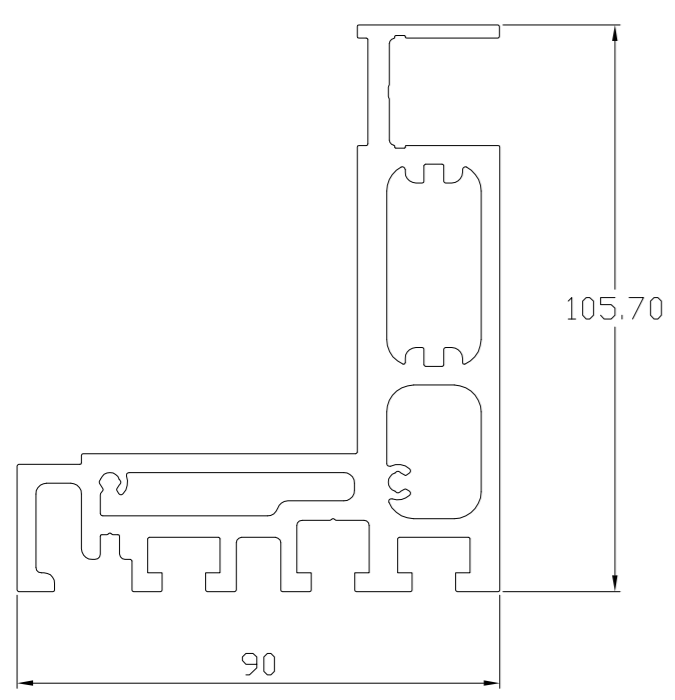
Bull Nose Spindle
Available 6m long
SCALE 1:1



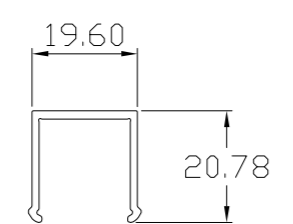
Hand Rail
Available 6m long
SCALE 1:1



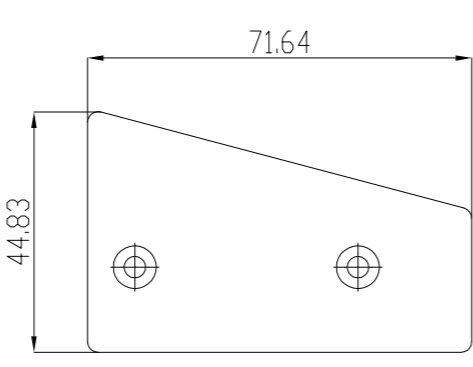
Hand Rail Cover
Available 6m long
SCALE 1:1



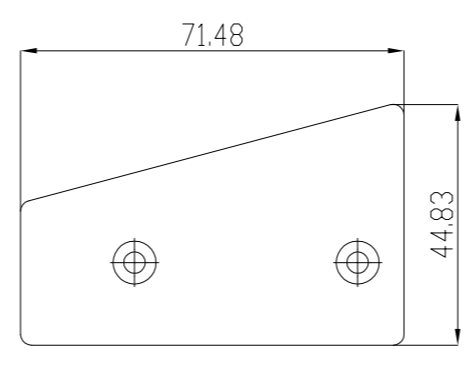
Spindle Rail
Available 6m Long
SCALE 1:1



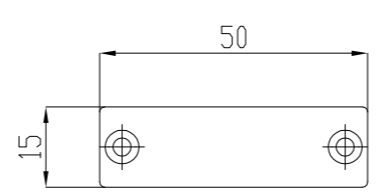
Rail Profile Trim
Available 6m long
SCALE 1:1



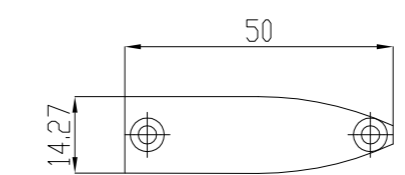
Hand Rail End Plate LHS
SCALE 1:1



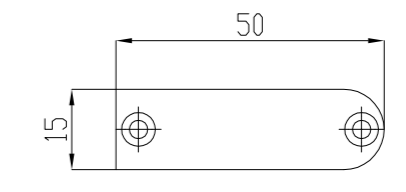
Hand Rail End Plate RHS
SCALE 1:1



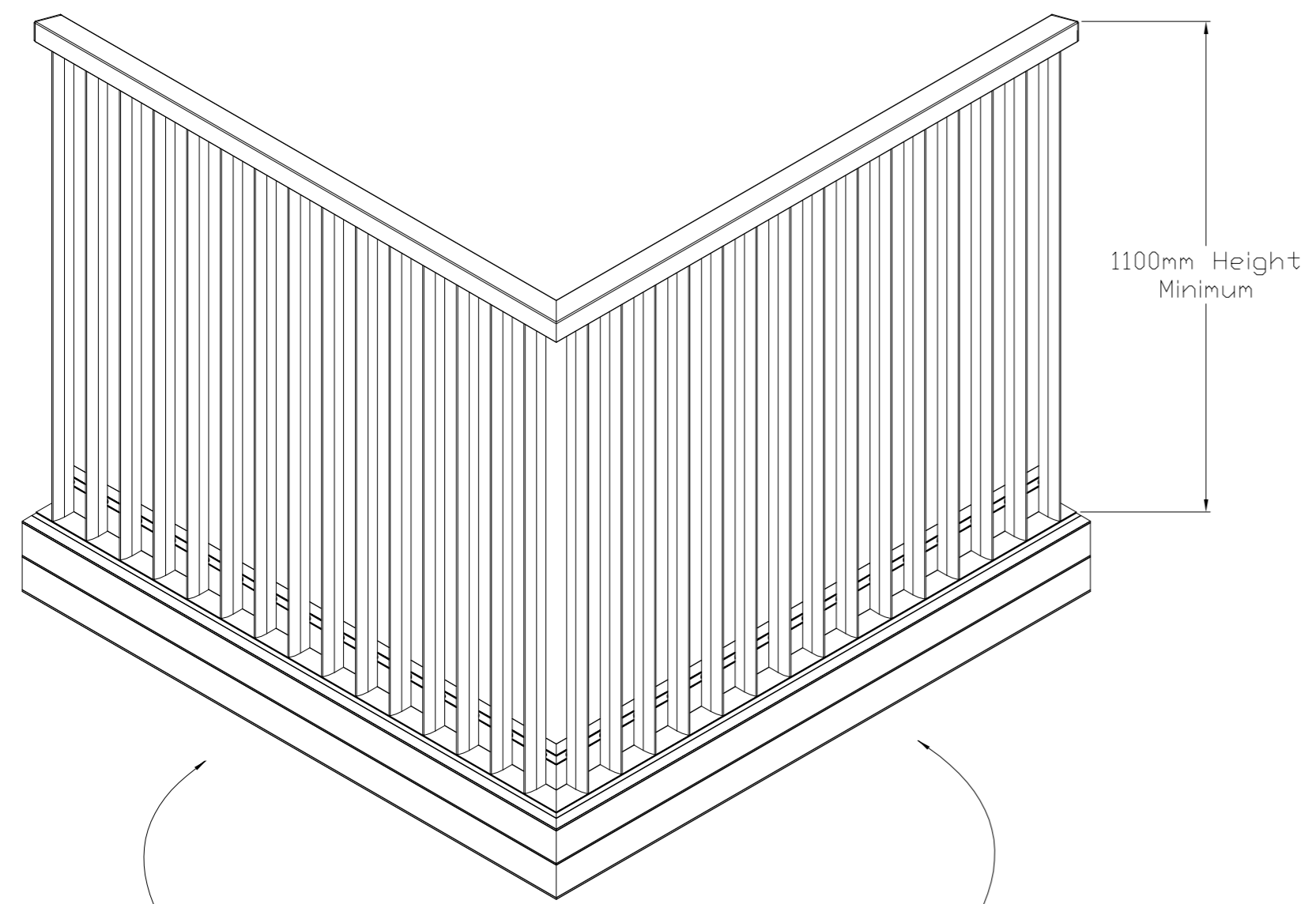
Standard Spindle End Plate
SCALE 1:1



Bullet Spindle End Plate
SCALE 1:1



Bull Nose Spindle End Plate
SCALE 1:1

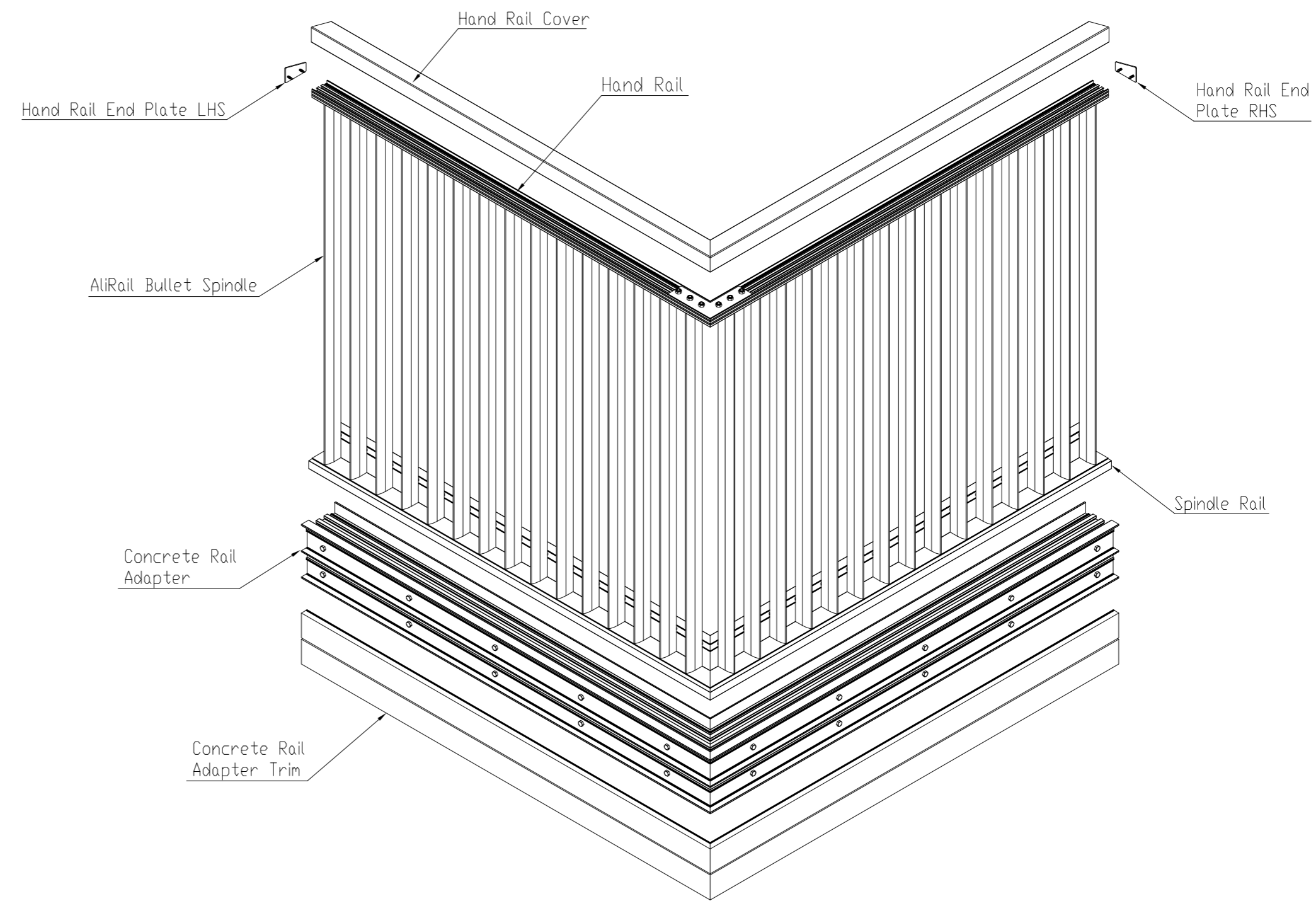


Side of balcony

Front of balcony

Corner Detail

1100mm Height Minimum



Concrete Rail Adapter

Concrete Rail Adapter Trim

Exploded View

Colour : Any Standard RAL Colour



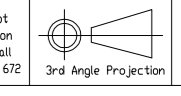
From
This drawing and the product it displays is the sole property of The Milwood Group. Any reproduction of this drawing or product without the written permission of The Milwood Group is prohibited.

Drawing Title:
(AliRail Top Fix Concrete Spindle System) - (Standard Drawing)

Product:
AliRail Spindle System

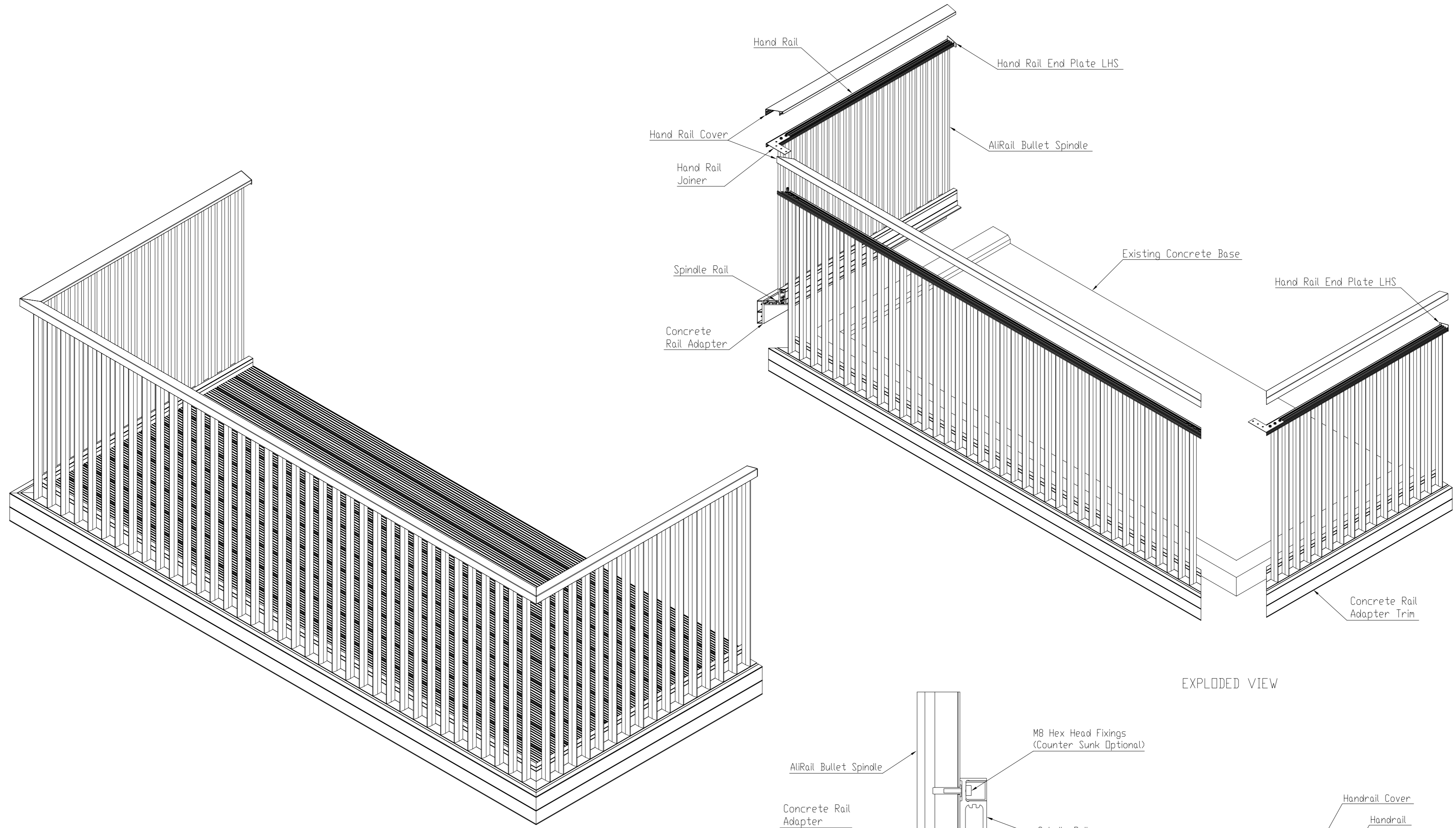
Date	Page Size	Scale	Drawn
17-03-23	A2 (L)	1:3	Shyam
Issuer	Sequence	(Tol)	Rev
MIL	000001	+/- mm	V2

If in any doubt about details on this drawing call us on 01622 255 672



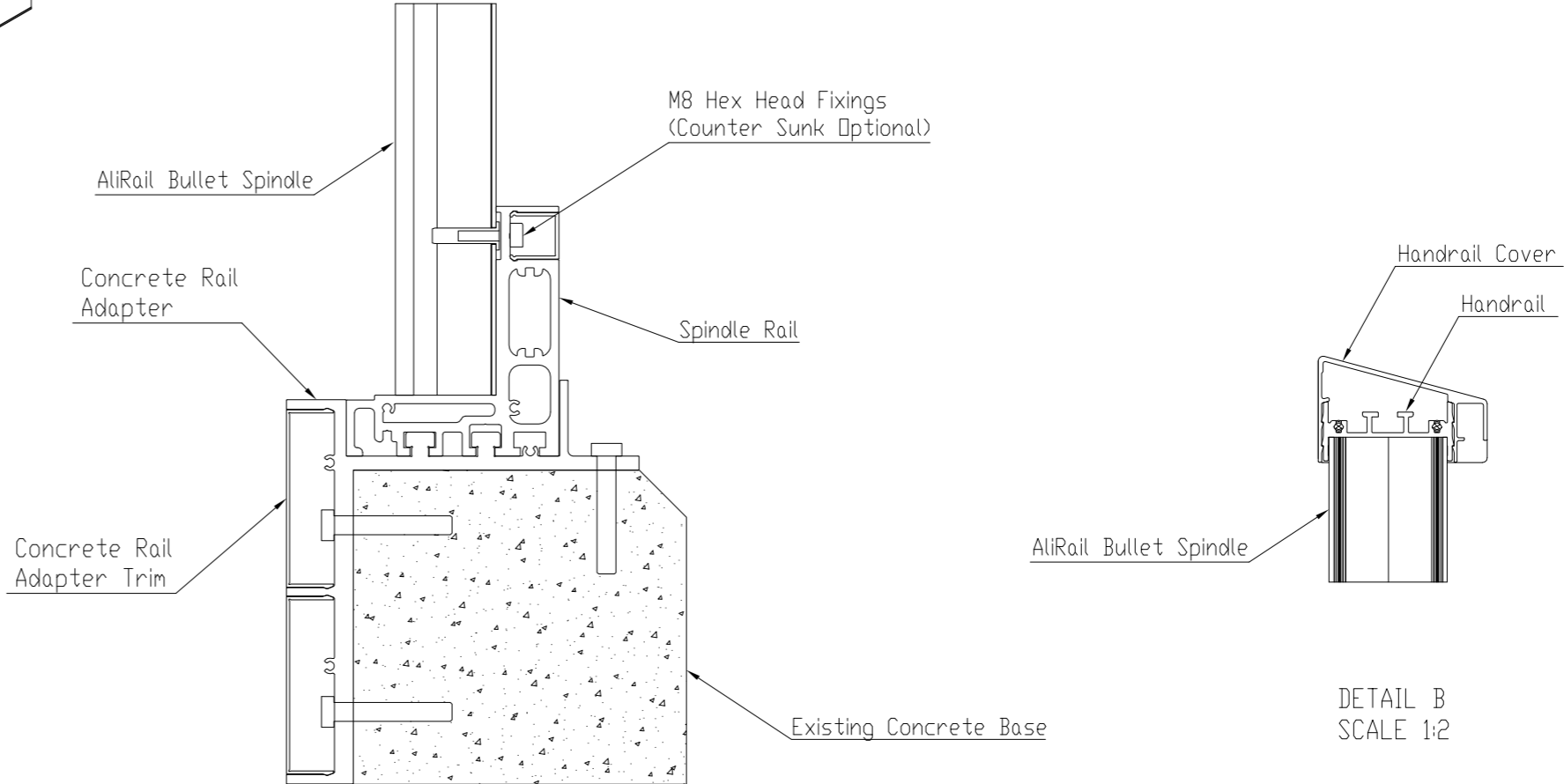
Finish
PPC

Page
1 of 2



ISOMETRIC VIEW

EXPLODED VIEW



DETAIL A
SCALE 1:2

DETAIL B
SCALE 1:2

CROSS SECTION DETAILS

- Notes:
- Balcony kit can be manufactured to any length or width.
 - The AliRail Vertical Infill Spindle Balustrade System has been subjected to independent testing for load performance. The Plate Fix option achieved 0.74kn/m loading while the Top-Fix option achieved 0.74kn/m. Test result data is indicative only and loading performance for individual balcony designs is the responsibility of the balcony designer.
 - AliRail is constructed completely from 100% aluminium (6063 T6 grade).

Colour : Any Standard RAL Colour



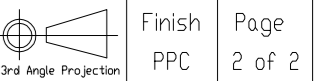
From
 This drawing and the product it displays is the sole property of The Milwood Group any reproduction of this drawing or product without the written permission of The Milwood Group is prohibited.

Drawing Title:
 (AliRail Top Fix Concrete Spindle System) - (Standard Drawing)

Product:
 AliRail Spindle System

Date	Page Size	Scale	Drawn
17-03-23	A2 (L)	1:3	Shyam
Issuer	Sequence	(Tol)	Rev
MIL	000001	+/- Inn	V2

If in any doubt about details on this drawing call us on 01622 255 672



Finish
 PPC

Page
 2 of 2