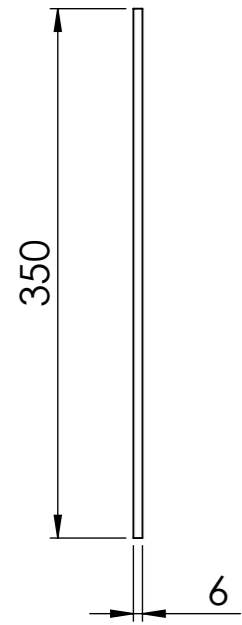
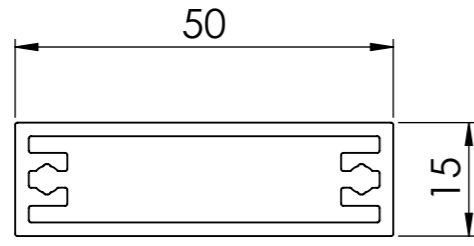


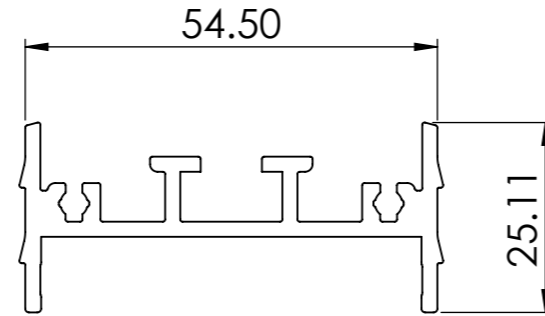
*(AliRail Spindle System - Front Fixed - Standard Spindle) - (Standard Drawing)*



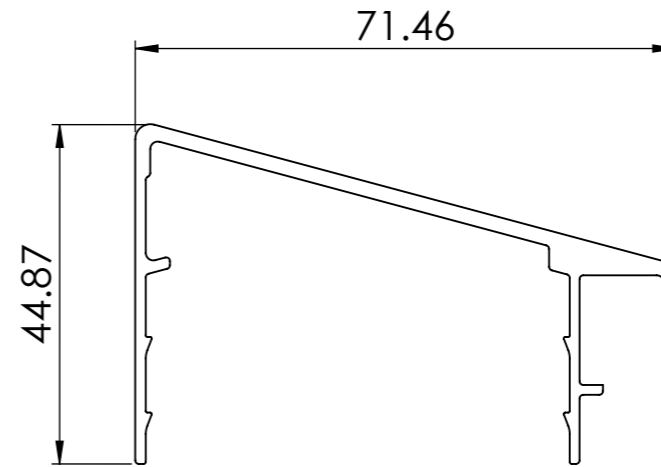
Fascia Plate



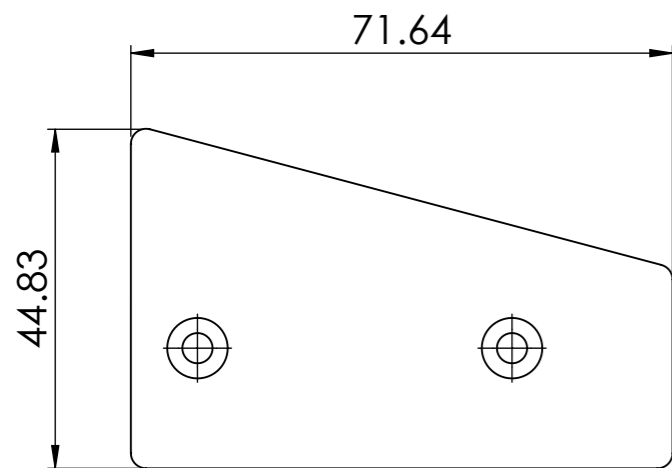
Standard Spindle



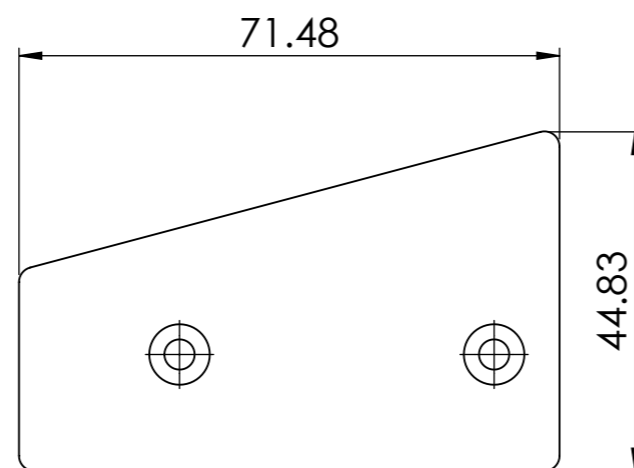
Hand Rail



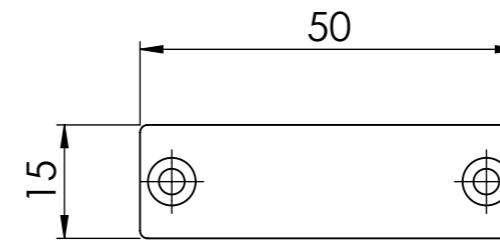
Hand Rail Cover



Hand Rail End Plate LHS



Hand Rail End Plate RHS



Spindle End Plate

**Notes.**

This is an example balcony, the options are configurable.

**Customer Sign Off.**

Sign \_\_\_\_\_

Date \_\_\_\_\_

**Record Of Revision Changes.**

- Creation of drawing (V1)

**Colour;** Any standard RAL colour

**Delivery and Storage.**

When components are delivered please ensure they are inspected and stored flat, also please ensure they are stored out of the sun. Do not store components upright.

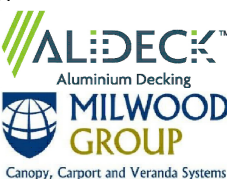
**Product Details:**

Example Balcony Size 3.5 metres x 1.5 metre



From

This drawing and the product it displays is the sole property of The Milwood Group & Alideck any reproduction of this drawing or product without the written permission of The Milwood Group & Alideck is prohibited.



**Drawing Title:**

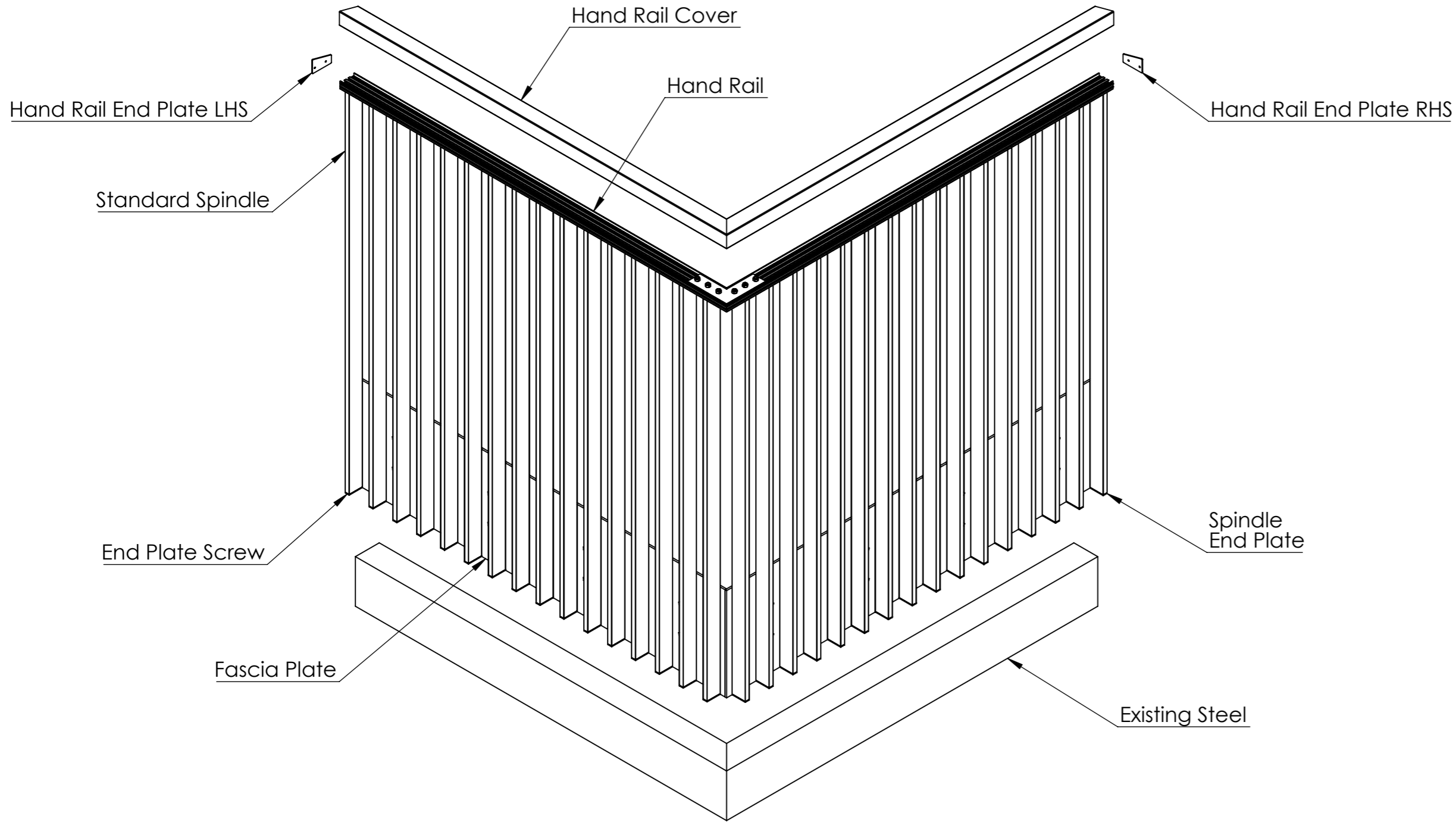
*(AliRail Spindle System - Front Fixed - Standard Spindle) - (Standard Drawing)*

**Product:**

AliRail Spindle System

Date	Page Size	Scale	Drawn
14-10-22	A3 (L)	DNS	Shyam
Issuer	Sequence	(Tol)	Rev
MIL	000001	+/- 1mm	V1
If in any doubt about details on this drawing call us on 01622 235 672		Finish	Page
		PPC	1 of 5

# Corner Detail



**Exploded View**

**Notes.**  
This is an example balcony, the options are configurable.

**Customer Sign Off.**

Sign \_\_\_\_\_

Date \_\_\_\_\_

**Record Of Revision Changes.**

1. Creation of drawing (V1)

**Colour;** Any standard RAL colour

**Delivery and Storage.**

When components are delivered please ensure they are inspected and stored flat, also please ensure they are stored out of the sun. Do not store components upright.

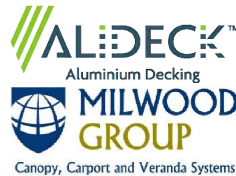
**Product Details:**

Example Balcony Size 3.5 metres x 1.5 metre



From

This drawing and the product it displays is the sole property of The Milwood Group & Alideck any reproduction of this drawing or product without the written permission of The Milwood Group & Alideck is prohibited.



**Drawing Title:**

(AliRail Spindle System - Front Fixed - Standard Spindle) - (Standard Drawing)

**Product:**

AliRail Spindle System

<b>Date</b> 14-10-22	<b>Page Size</b> A3 (L)	<b>Scale</b> DNS	<b>Drawn</b> Shyam
<b>Issuer</b> MIL	<b>Sequence</b> 000001	<b>(Tol)</b> +/- 1mm	<b>Rev</b> V1
If in any doubt about details on this drawing call us on 01622 235 672		<b>Finish</b> PPC	<b>Page</b> 2 of 5

**Notes.**  
This is an example balcony, the options are configurable.

**Customer Sign Off.**

Sign \_\_\_\_\_

Date \_\_\_\_\_

**Record Of Revision Changes.**

- Creation of drawing (V1)

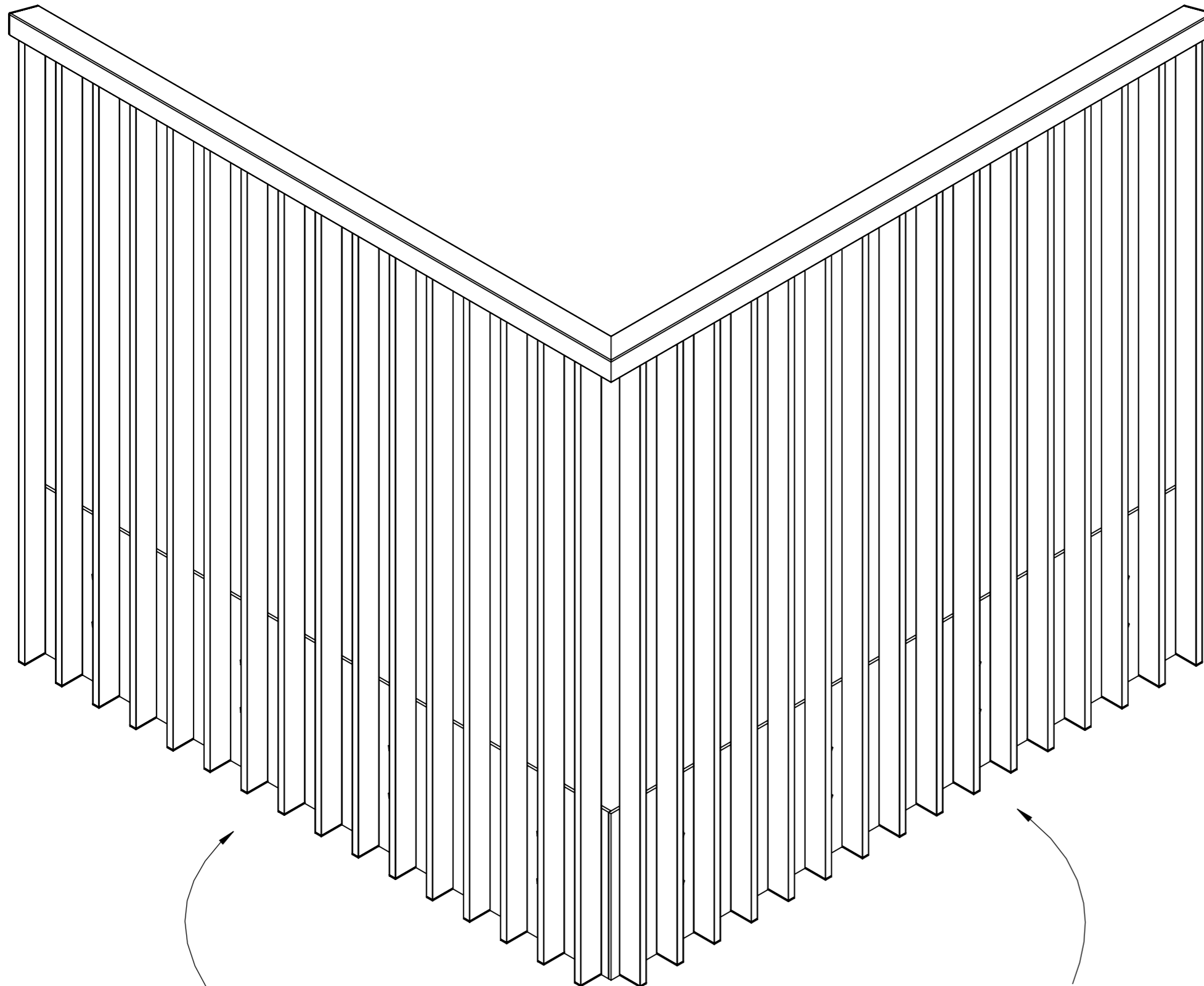
**Colour;** Any standard RAL colour

**Delivery and Storage.**

When components are delivered please ensure they are inspected and stored flat, also please ensure they are stored out of the sun. Do not store components upright.

**Product Details:**

Example Balcony Size 3.5 metres x 1.5 metre



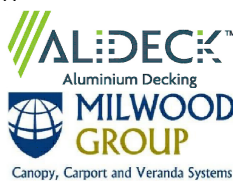
**Side of balcony**

**Front of balcony**



From

This drawing and the product it displays is the sole property of The Milwood Group & Alideck any reproduction of this drawing or product without the written permission of The Milwood Group & Alideck is prohibited.

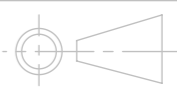


**Drawing Title:**

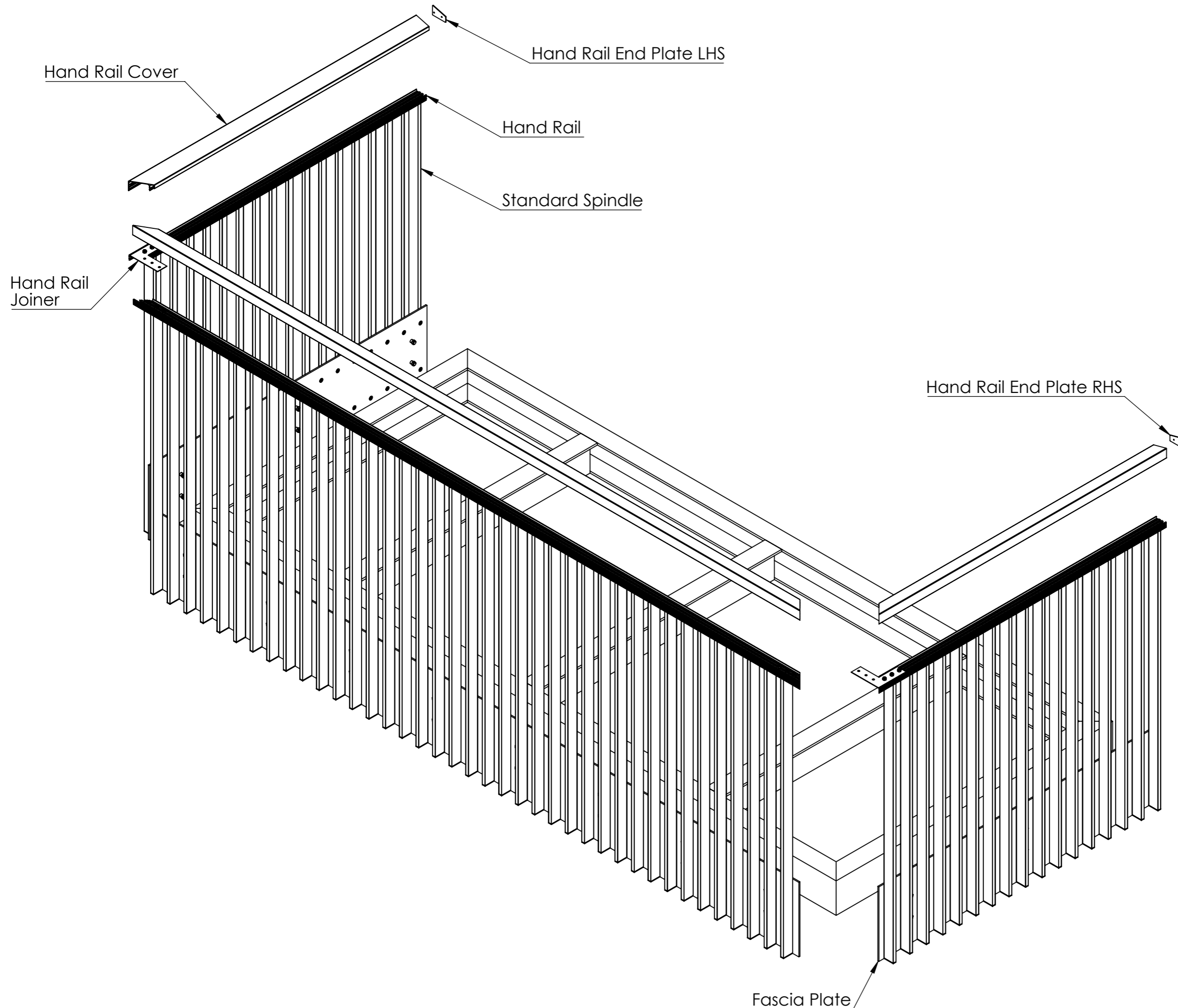
*(AliRail Spindle System - Front Fixed - Standard Spindle) - (Standard Drawing)*

**Product:**

AliRail Spindle System

<b>Date</b> 14-10-22	<b>Page Size</b> A3 (L)	<b>Scale</b> DNS	<b>Drawn</b> Shyam
<b>Issuer</b> MIL	<b>Sequence</b> 000001	<b>(Tol)</b> +/- 1mm	<b>Rev</b> V1
If in any doubt about details on this drawing call us on 01622 235 672	 3rd Angle Projection	<b>Finish</b> PPC	<b>Page</b> 3 of 5

*(AliRail Spindle System - Front Fixed - Standard Spindle) - (Standard Drawing)*



**Notes.**

This is an example balcony, the options are configurable.

**Customer Sign Off.**

Sign \_\_\_\_\_

Date \_\_\_\_\_

**Record Of Revision Changes.**

1. Creation of drawing (V1)

**Colour;** Any standard RAL colour

**Delivery and Storage.**

When components are delivered please ensure they are inspected and stored flat, also please ensure they are stored out of the sun. Do not store components upright.

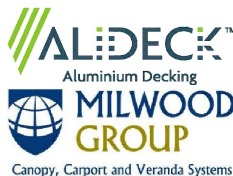
**Product Details:**

Example Balcony Size 3.5 metres x 1.5 metre



From

This drawing and the product it displays is the sole property of The Milwood Group & Alideck any reproduction of this drawing or product without the written permission of The Milwood Group & Alideck is prohibited.



**Drawing Title:**

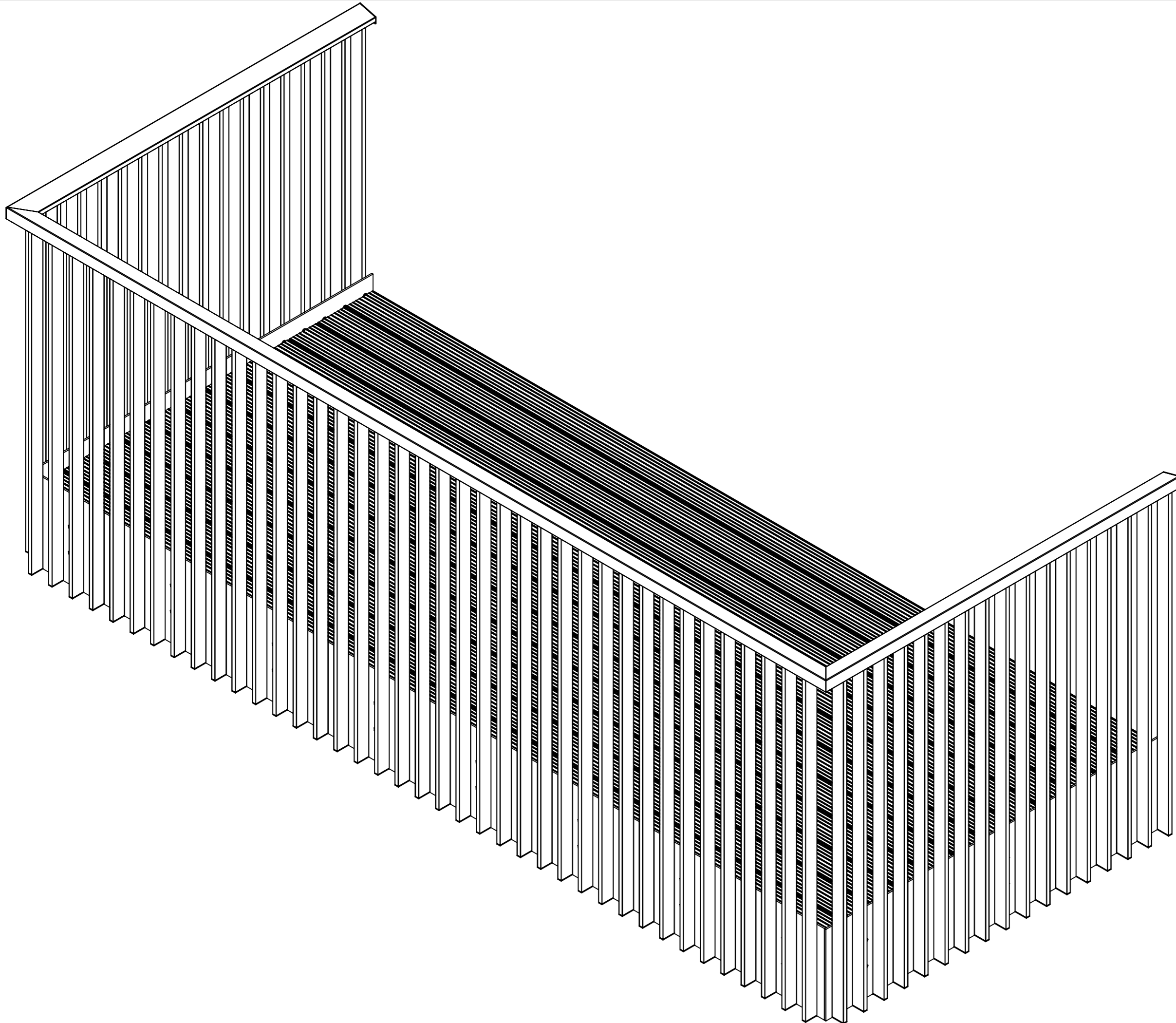
*(AliRail Spindle System - Front Fixed - Standard Spindle) - (Standard Drawing)*

**Product:**

AliRail Spindle System

Date	Page Size	Scale	Drawn
14-10-22	A3 (L)	DNS	Shyam
Issuer	Sequence	(Tol)	Rev
MIL	000001	+/- 1mm	V1
If in any doubt about details on this drawing call us on 01622 235 672		Finish	Page
		PPC	4 of 5

*(AliRail Spindle System - Front Fixed - Standard Spindle) - (Standard Drawing)*



**Notes.**

This is an example balcony, the options are configurable.

**Customer Sign Off.**

Sign \_\_\_\_\_

Date \_\_\_\_\_

**Record Of Revision Changes.**

1. Creation of drawing (V1)

**Colour;** Any standard RAL colour

**Delivery and Storage.**

When components are delivered please ensure they are inspected and stored flat, also please ensure they are stored out of the sun. Do not store components upright.

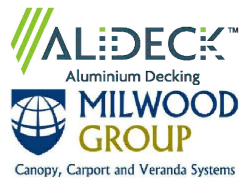
**Product Details:**

Example Balcony Size 3.5 metres x 1.5 metre



From

This drawing and the product it displays is the sole property of The Milwood Group & Alideck any reproduction of this drawing or product without the written permission of The Milwood Group & Alideck is prohibited.

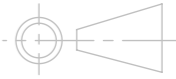


**Drawing Title:**

*(AliRail Spindle System - Front Fixed - Standard Spindle) - (Standard Drawing)*

**Product:**

AliRail Spindle System

<b>Date</b> 14-10-22	<b>Page Size</b> A3 (L)	<b>Scale</b> DNS	<b>Drawn</b> Shyam
<b>Issuer</b> MIL	<b>Sequence</b> 000001	<b>(To)</b> +/- 1mm	<b>Rev</b> V1
If in any doubt about details on this drawing call us on 01622 235 672	 3rd Angle Projection	<b>Finish</b> PPC	<b>Page</b> 5 of 5