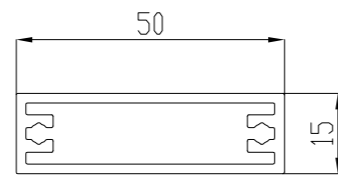
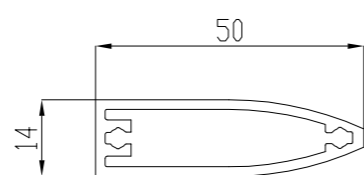




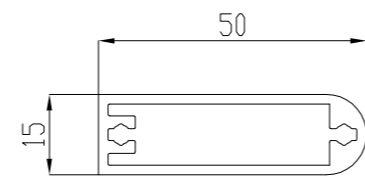
Fascia Plate  
Available in Linear Meters, Width 250mm to 500mm Depending on size of balcony  
SCALE 1:5



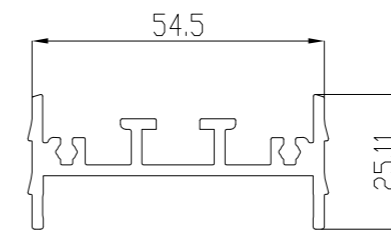
Standard Spindle  
Available 6m long  
SCALE 1:1



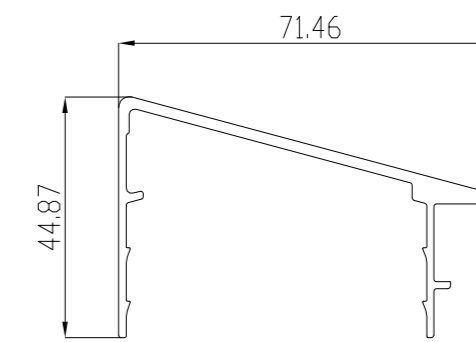
Bullet Spindle  
Available 6m long  
SCALE 1:1



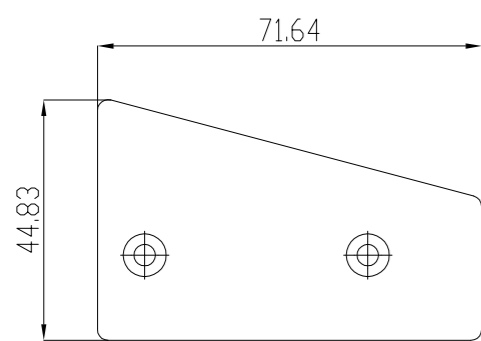
Bull Nose Spindle  
Available 6m long  
SCALE 1:1



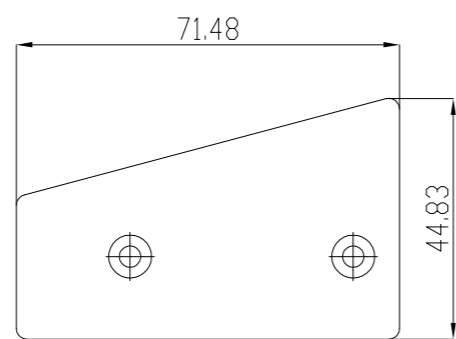
Hand Rail  
Available 6m long  
SCALE 1:1



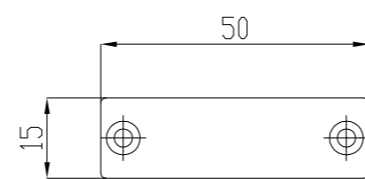
Hand Rail Cover  
Available 6m long  
SCALE 1:1



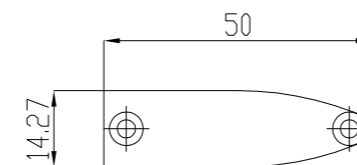
Hand Rail End Plate LHS  
SCALE 1:1



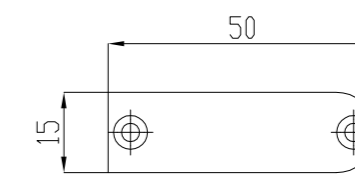
Hand Rail End Plate RHS  
SCALE 1:1



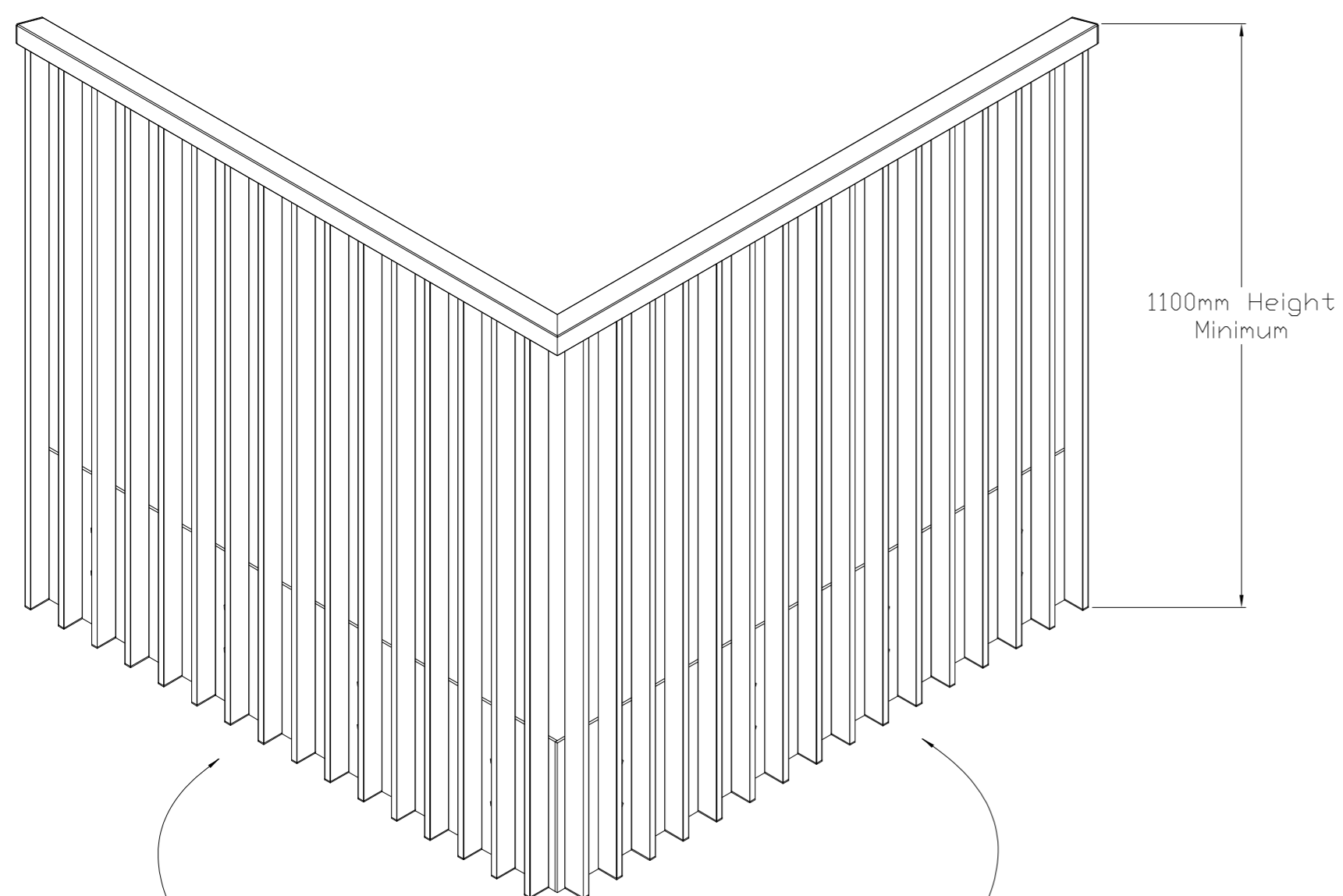
Standard Spindle End Plate  
SCALE 1:1



Bullet Spindle End Plate  
SCALE 1:1



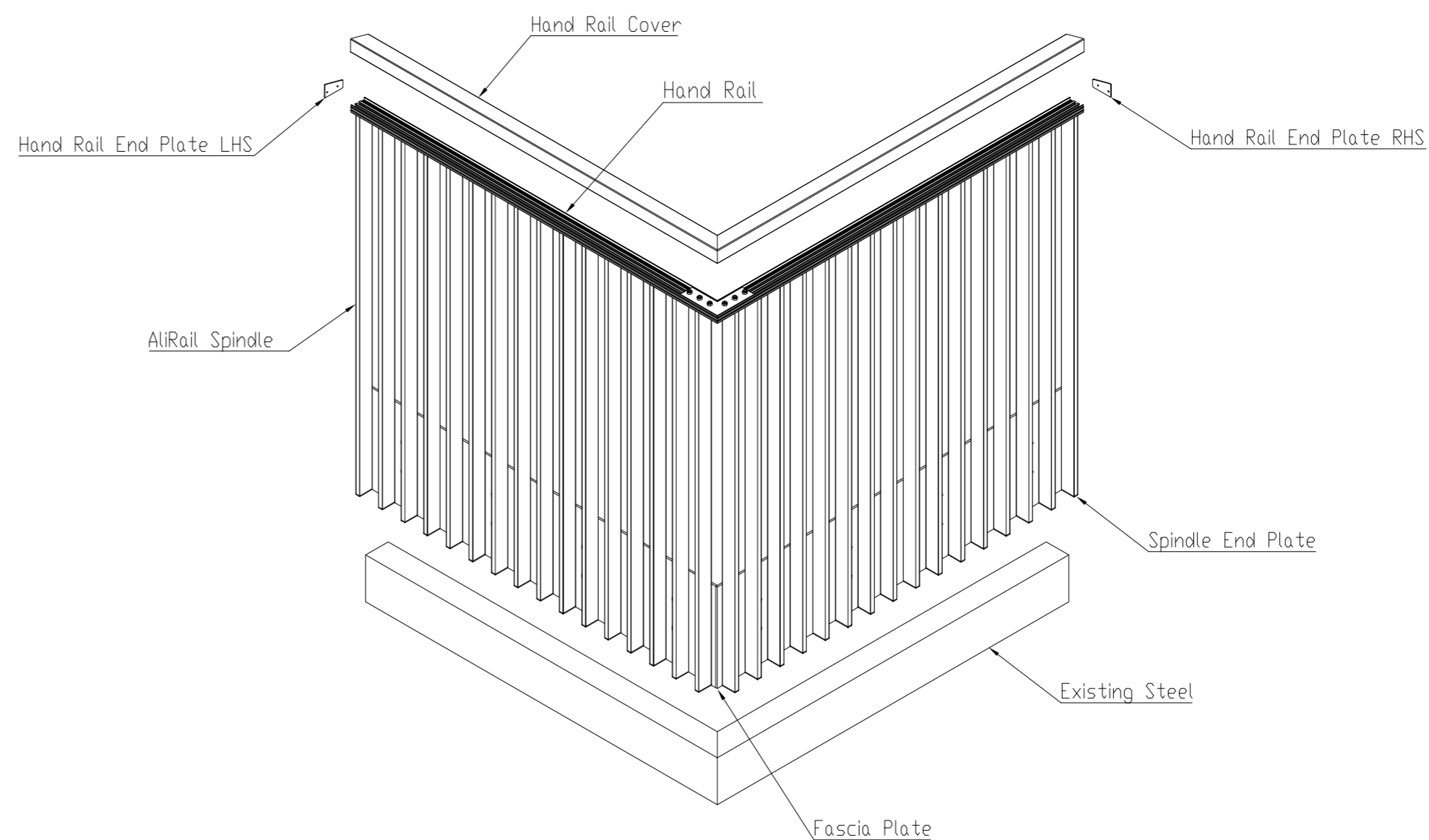
Bull Nose Spindle End Plate  
SCALE 1:1



Side of balcony

Front of balcony

Corner Detail



Exploded View

Colour : Any Standard RAL Colour



From  
This drawing and the product it displays is the sole property of The Milwood Group any reproduction of this drawing or product without the written permission of The Milwood Group is prohibited.

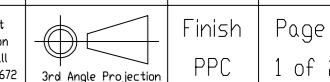


Drawing Title:  
(AliRail Spindle System)-(Plate Fix Spindle)  
- (Standard Drawing)

Product:  
AliRail Spindle System

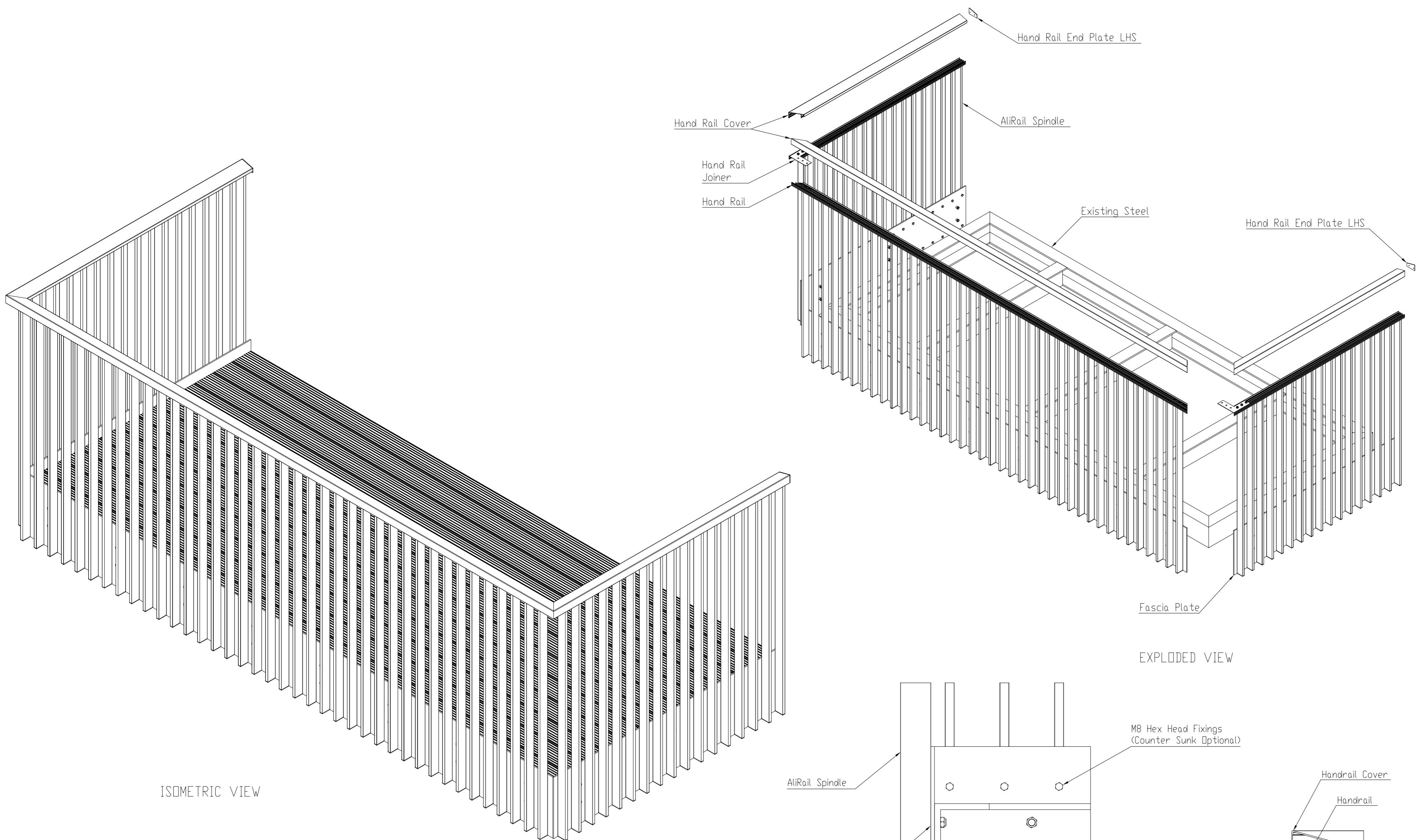
Date	Page Size	Scale	Drawn
06-12-22	A2 (L)	1:3	Shyam
Issuer	Sequence	(Tol)	Rev
MIL	000001	+/- Inn	V4

If in any doubt about details on this drawing call us on 0822 255 672



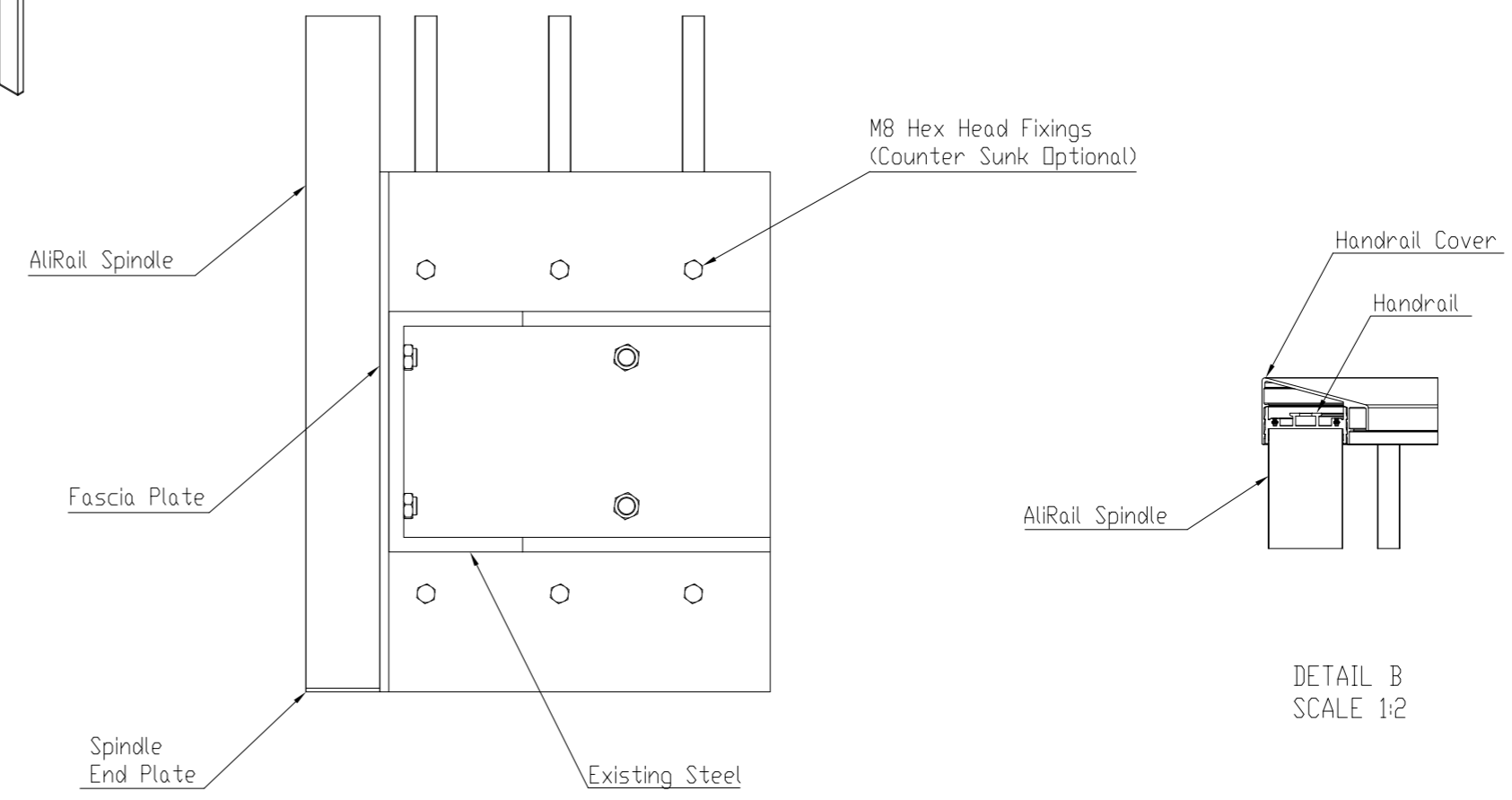
Finish  
PPC

Page  
1 of 2



ISOMETRIC VIEW

EXPLODED VIEW



DETAIL A  
SCALE 1:2

DETAIL B  
SCALE 1:2

CROSS SECTION DETAILS

- Notes:
- Balcony kit can be manufactured to any length or width.
  - The AliRail Vertical Infill Spindle Balustrade System has been subjected to independent testing for load performance. The Plate Fix option achieved 0.74kn/m loading while the Top-Fix option achieved 1.5kn/m. Test result data is indicative only and loading performance for individual balcony designs is the responsibility of the balcony designer.
  - AliRail is constructed completely from 100% aluminium (6063 T6 grade).

Colour : Any Standard RAL Colour



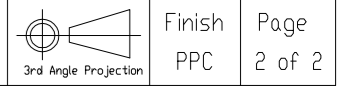
From  
 This drawing and the product it displays is the sole property of The Milwood Group any reproduction of this drawing or product without the written permission of The Milwood Group is prohibited.

Drawing Title:  
 (AliRail Spindle System)-(Plate Fix Spindle)  
 - (Standard Drawing)

Product:  
 AliRail Spindle System

Date	Page Size	Scale	Drawn
06-12-22	A2 (L)	1:3	Shyam
Issuer	Sequence	(Tol)	Rev
MIL	000001	+/- Inn	V4

If in any doubt about details on this drawing call us on 01622 255 672



Finish  
 PPC

Page  
 2 of 2