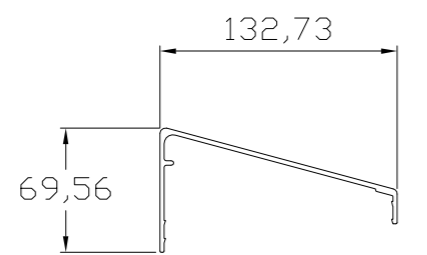
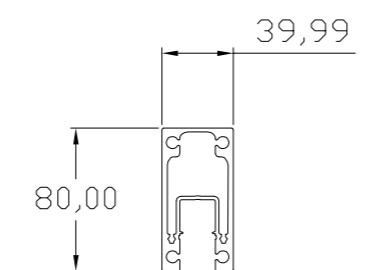


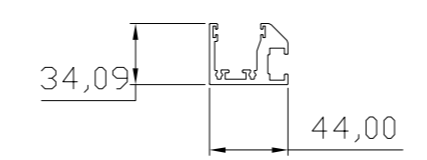
Hand Rail
Available 6m long
SCALE 1:1



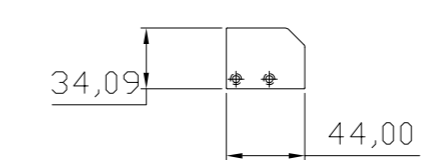
Hand Rail Cover
Available 6m long
SCALE 1:1



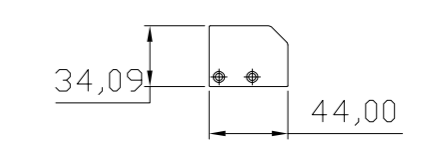
Post
Available 6m long
SCALE 1:1



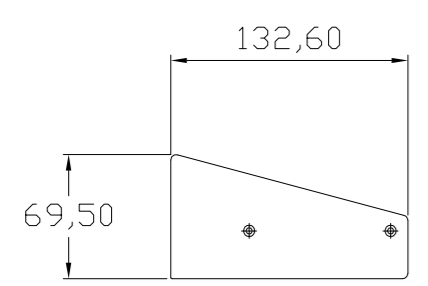
Bottom Rail
Available 6m long
SCALE 1:1



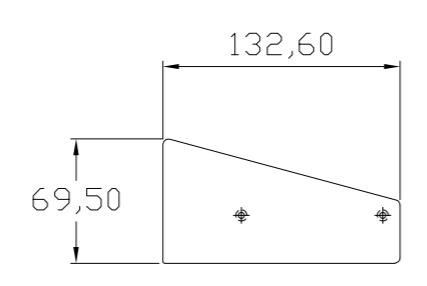
Bottom Rail End Plate LHS
SCALE 1:1



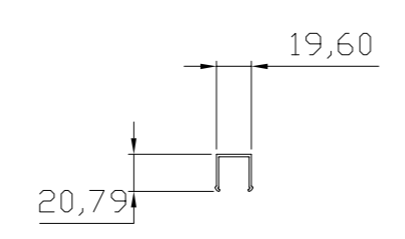
Bottom Rail End Plate RHS
SCALE 1:1



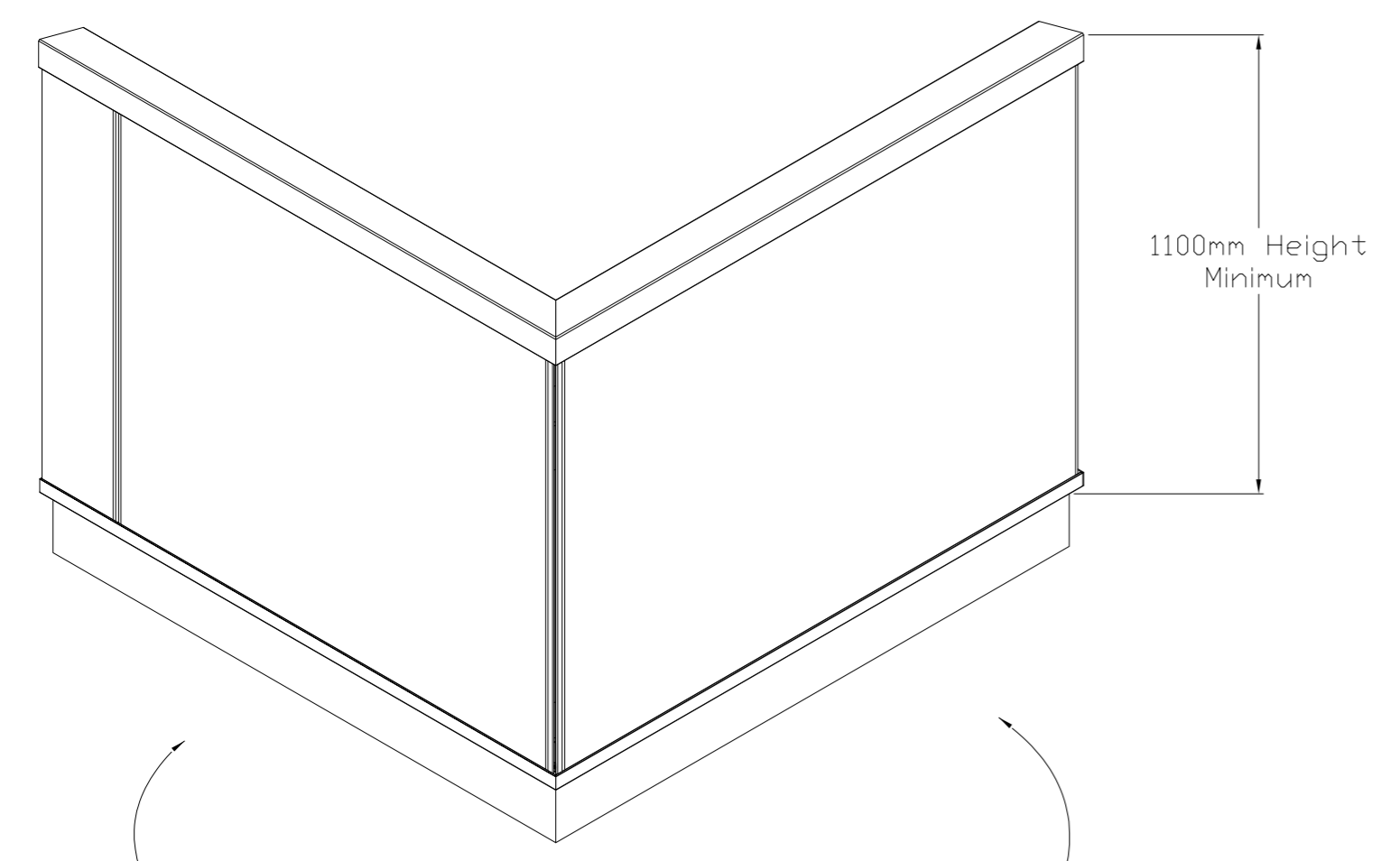
Hand Rail End Plate LHS
SCALE 1:1



Hand Rail End Plate RHS
SCALE 1:1



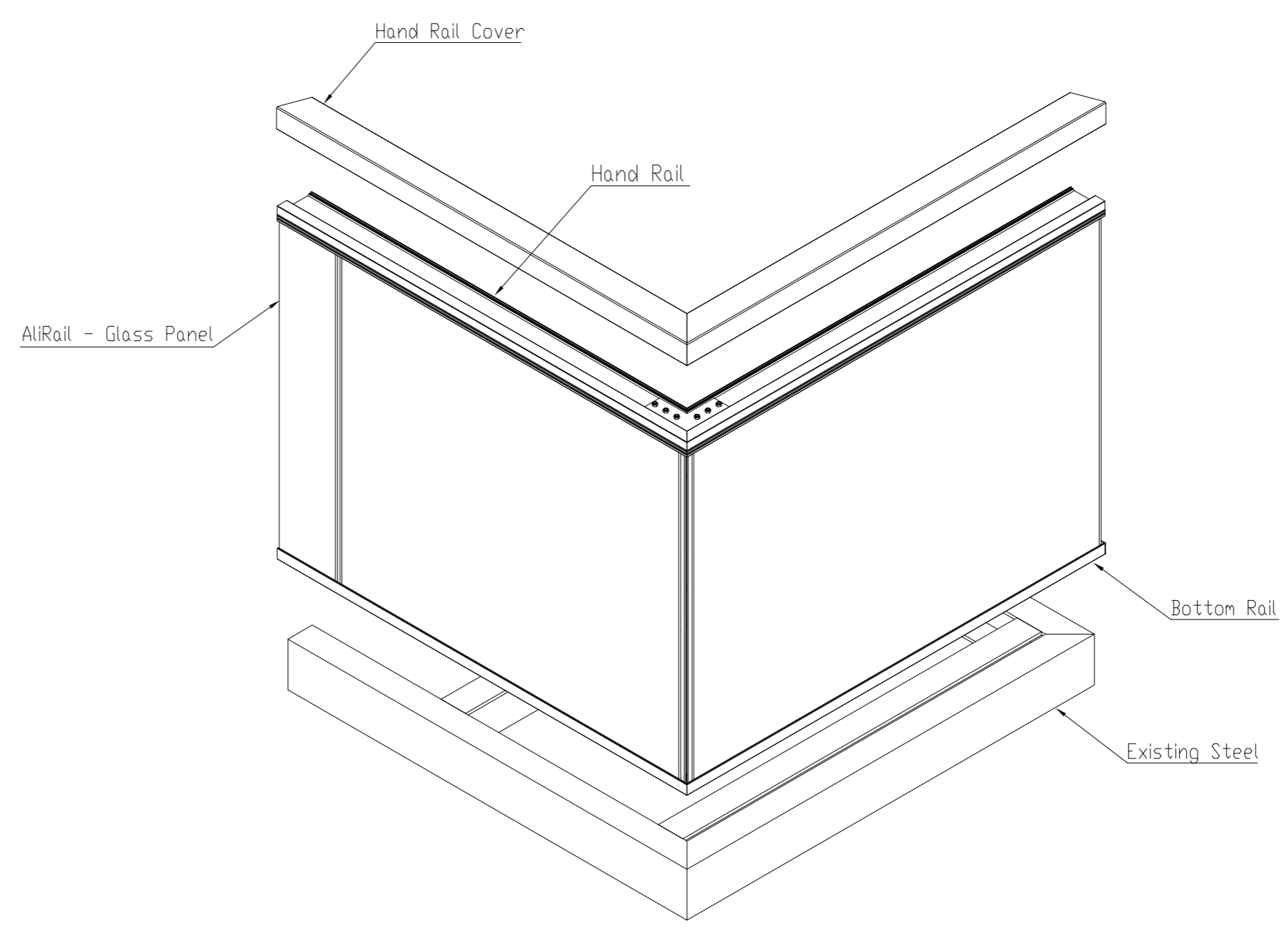
Post Trim
Available 6m long
SCALE 1:1



Side of balcony

Front of balcony

Corner Detail



Exploded View

Colour : Any Standard RAL Colour



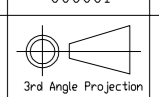
From
This drawing and the product it displays is the sole property of The Milwood Group any reproduction of this drawing or product without the written permission of The Milwood Group is prohibited.

Drawing Title:
(AllRail Insight Glass Infill System) - (Standard Drawing)

Product:
AllRail Insight Glass Infill System

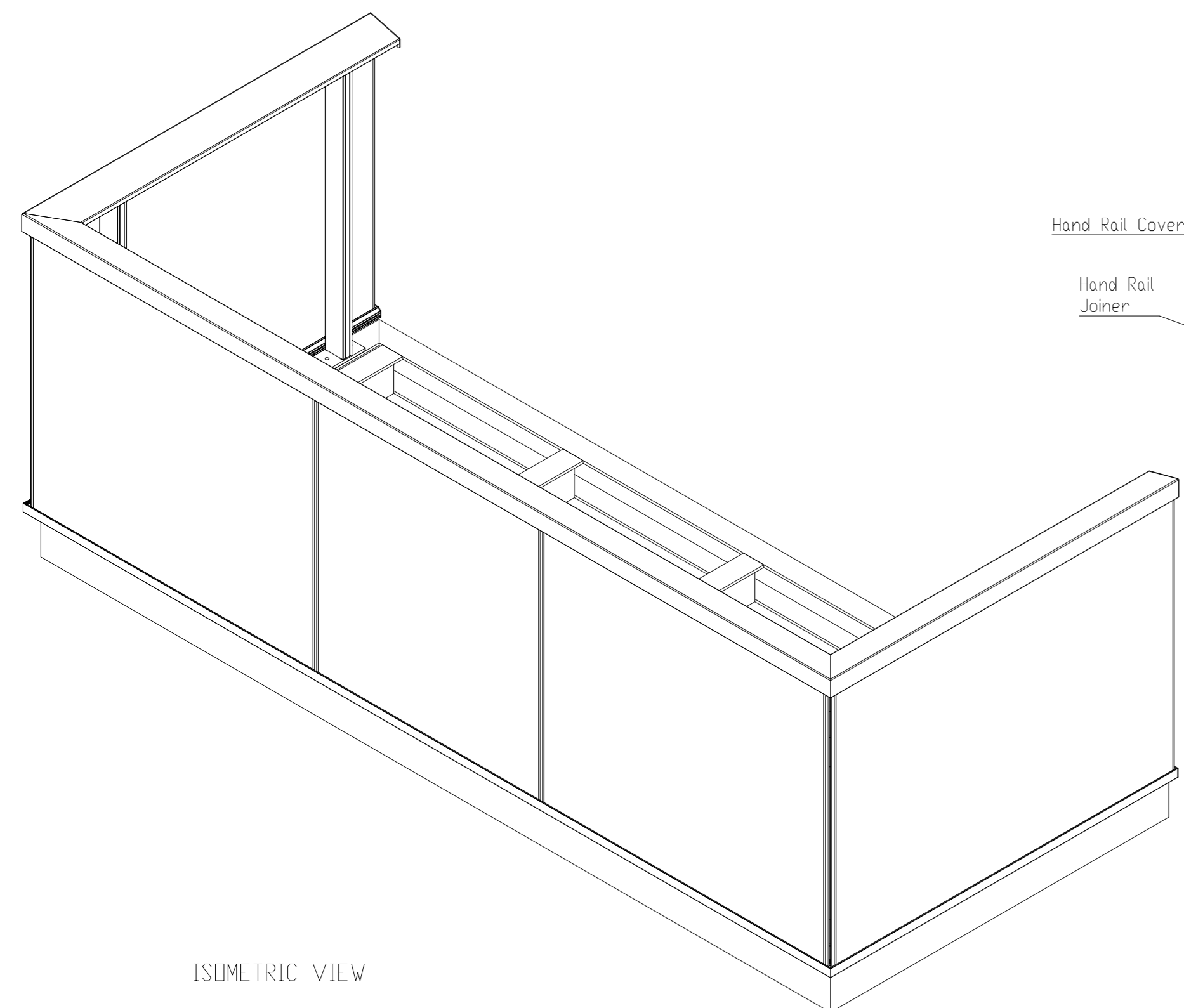
Date	Page Size	Scale	Drawn
29-01-24	A2 (L)	1:3	Shyam
Issuer	Sequence	(Tol)	Rev
MIL	000001	+/- 1mm	V1

If in any doubt about details on this drawing call us on 0822 255 672

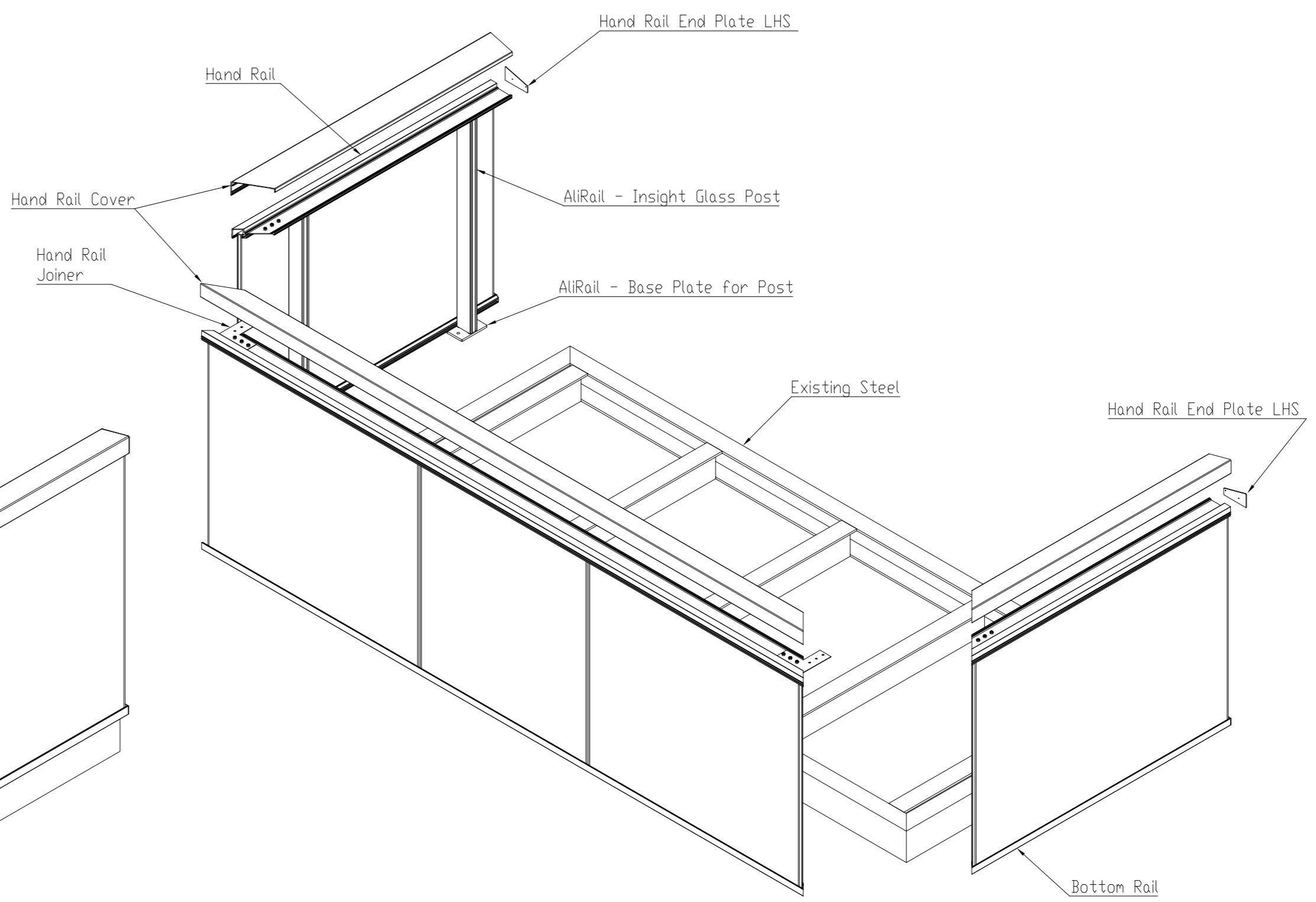


Finish
PPC

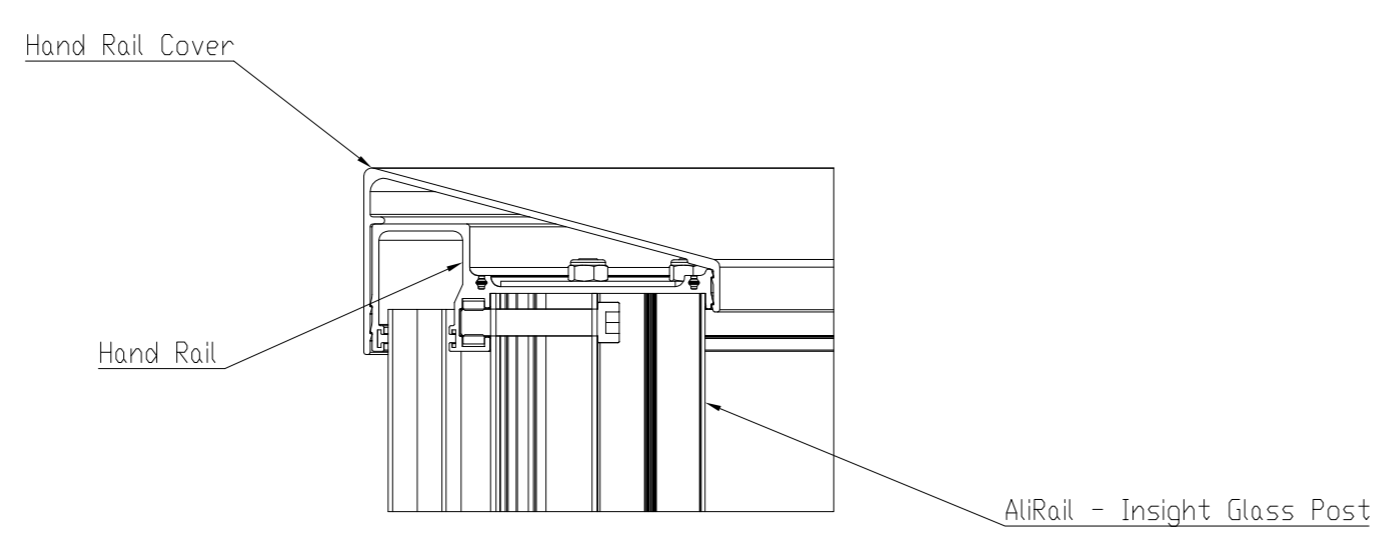
Page
1 of 2



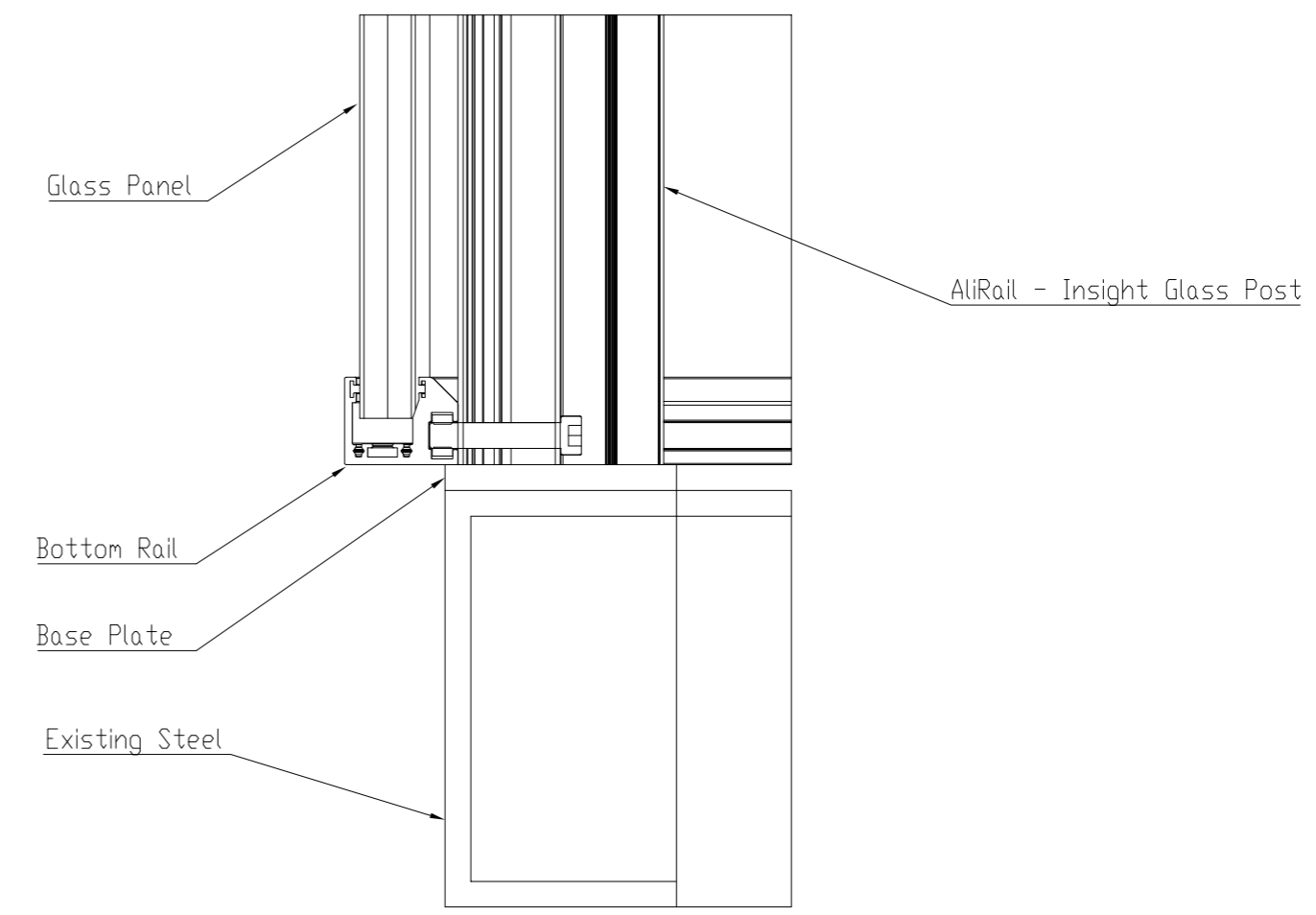
ISOMETRIC VIEW



EXPLODED VIEW



DETAIL J



DETAIL K

- Notes:
- Balcony kit can be manufactured to any length or width.
 - The AliRail Insight Glass Infill System has been subjected to independent testing for load performance. The Plate Fix option achieved 0.74kn/m loading. Test result data is indicative only and loading performance for individual balcony designs is the responsibility of the balcony designer.
 - AliRail is constructed completely from 100% aluminium (6063 T6 grade).

Colour : Any Standard RAL Colour



From
 This drawing and the product it displays is the sole property of The Milwood Group. Any reproduction of this drawing or product without the written permission of The Milwood Group is prohibited.

Drawing Title:
 (AliRail Insight Glass Infill System) - (Standard Drawing)

Product:
 AliRail Insight Glass Infill System

Date	Page Size	Scale	Drawn
29-01-24	A2 (L)	1:3	Shyam
Issuer	Sequence	(Tol)	Rev
MIL	000001	+/- Inn	V1

If in any doubt about details on this drawing call us on 0822 255 672

3rd Angle Projection

Finish
 PPC

Page
 2 of 2