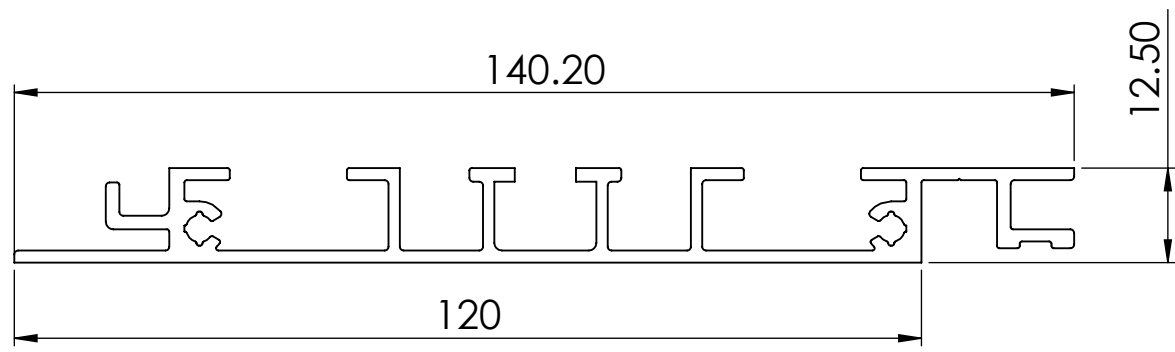
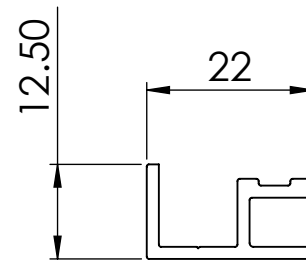


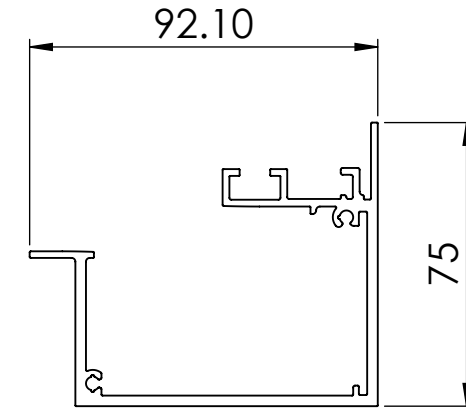
(AliClad Flow - Cladding Profile) - (Standard Drawing)



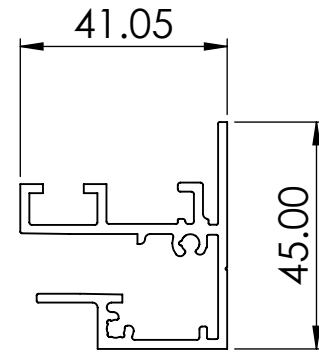
The Flow Cladding Board



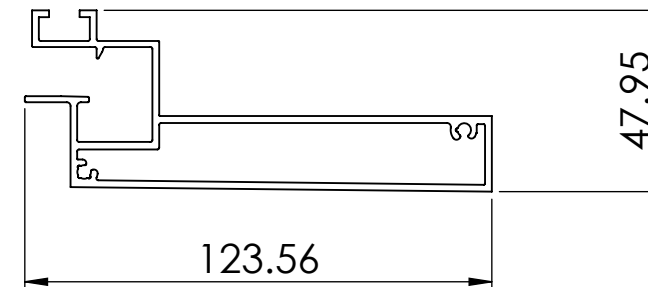
The Flow Cladding Starter Trim



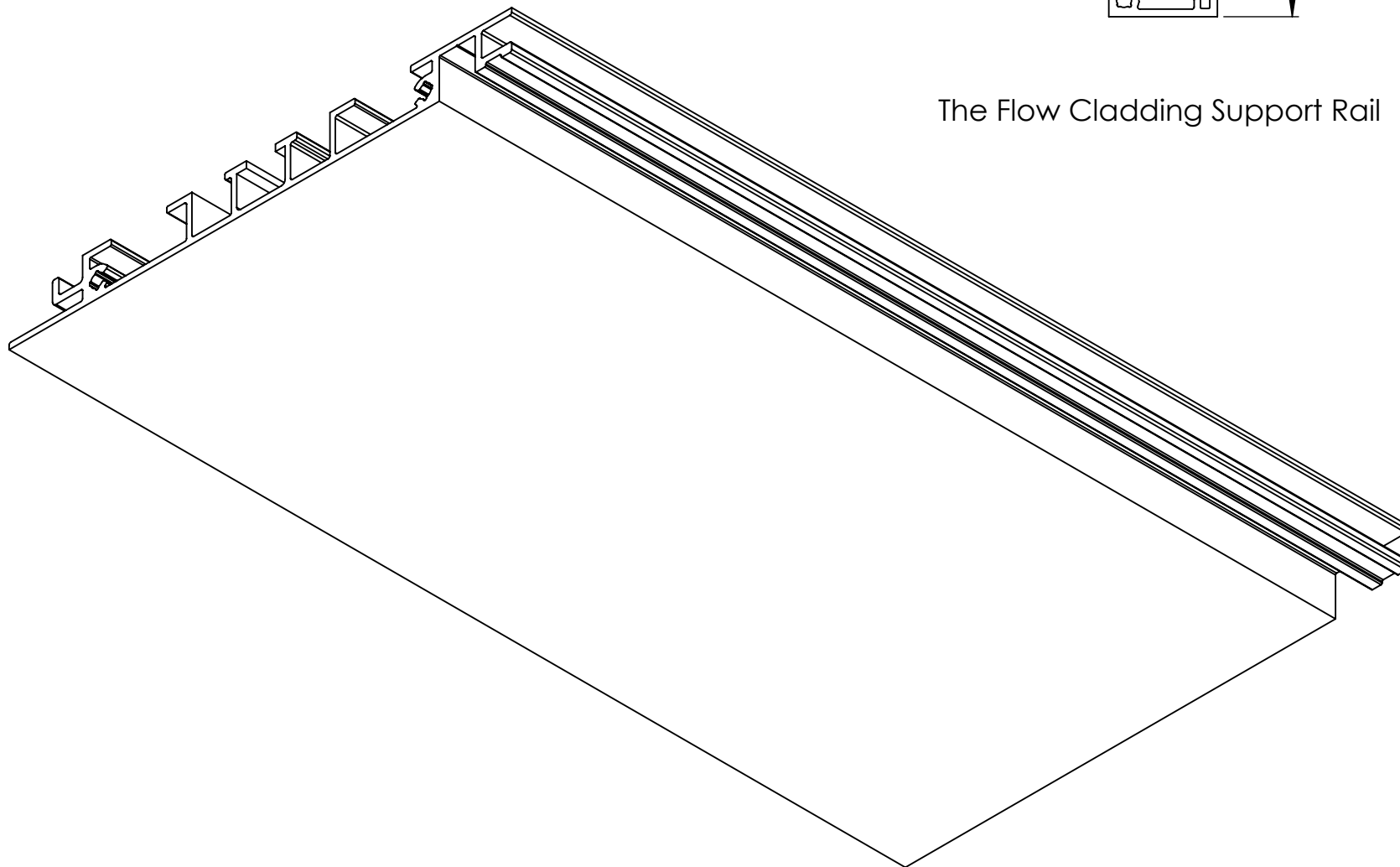
The Wide Flow Cladding Gutter



The Flow Cladding Support Rail



The Extended Flow Cladding Gutter



Notes.
Example sections of AliClad Flow

Customer Sign Off.

Sign _____

Date _____

Record Of Revision Changes.

1. Creation of drawing (V1)

Colour; Any Standard RAL Colour

Delivery and Storage.

When components are delivered please ensure they are inspected and stored flat, also please ensure they are stored out of the sun. Do not store components upright.

Product Details:

Cladding Profiles



From

This drawing and the product it displays is the sole property of The Milwood Group & Alideck any reproduction of this drawing or product without the written permission of The Milwood Group & Alideck is prohibited.



Drawing Title:

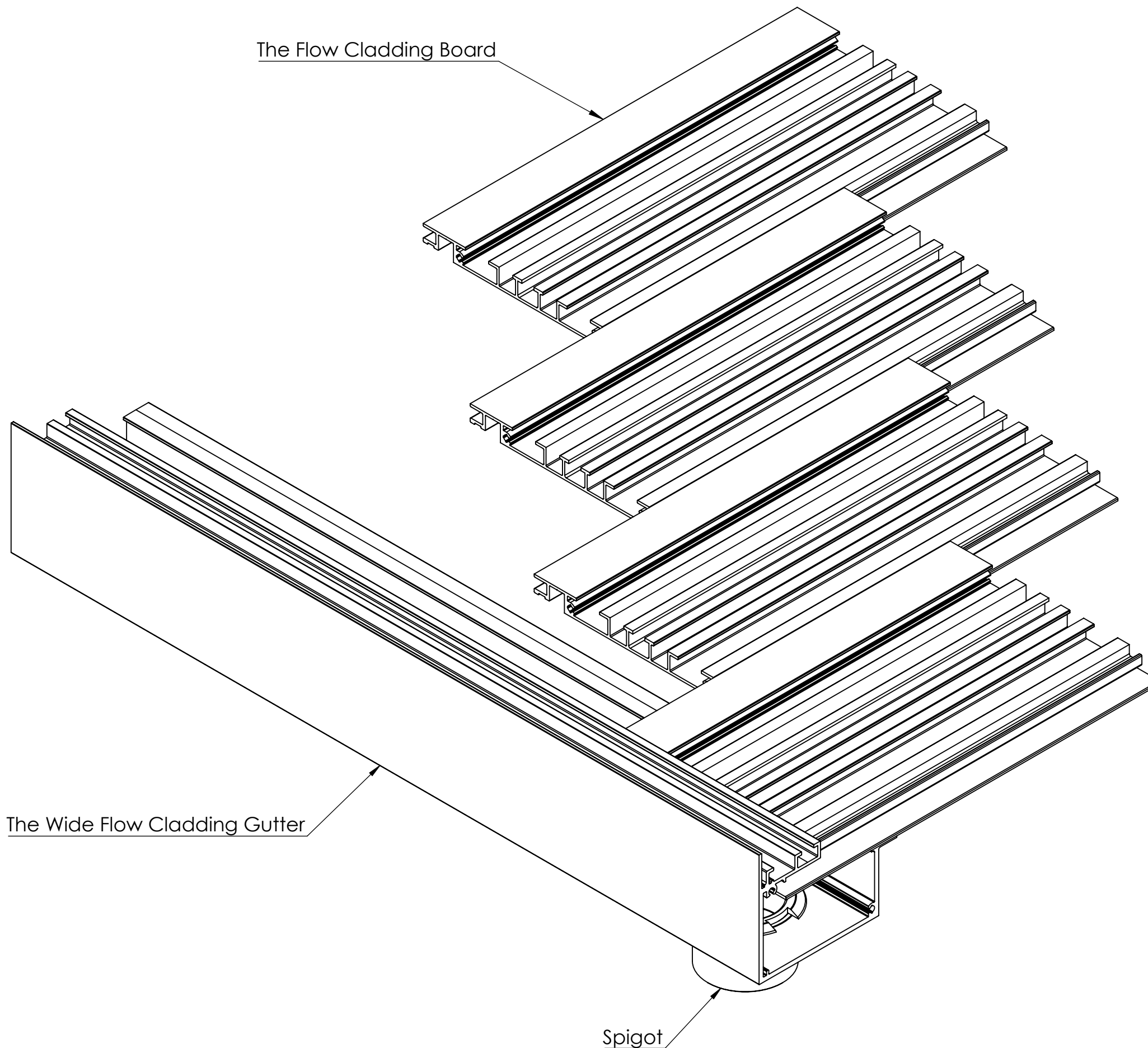
(AliClad Flow - Cladding Profile) - (Standard Drawing)

Product:

Cladding Profile

| Date | Page Size | Scale | Drawn |
|--|-----------|------------|--------|
| 18-08-23 | A3 (L) | DNS | Shyam |
| Issuer | Sequence | (Tol) | Rev |
| MIL | 000001 | +/- 1mm | V4 |
| If in any doubt about details on this drawing call us on 01622 235 672 | | Finish | Page |
| | | PPC | 1 of 6 |

Corner Detail



Notes.
Example sections of AliClad Flow

Customer Sign Off.

Sign _____

Date _____

Record Of Revision Changes.

1. Creation of drawing (V1)

Colour; Any Standard RAL Colour

Delivery and Storage.
When components are delivered please ensure they are inspected and stored flat, also please ensure they are stored out of the sun. Do not store components upright.

Product Details:
Cladding Profiles



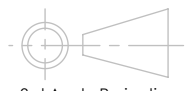
From

This drawing and the product it displays is the sole property of The Milwood Group & Alideck any reproduction of this drawing or product without the written permission of The Milwood Group & Alideck is prohibited.



Drawing Title:
(AliClad Flow - Cladding Profile) - (Standard Drawing)

Product:
Cladding Profile

| | | | |
|--|---|----------------------------|-----------------------|
| Date 18-08-23 | Page Size A3 (L) | Scale DNS | Drawn Shyam |
| Issuer MIL | Sequence 000001 | (Tol) +/- 1mm | Rev V4 |
| If in any doubt about details on this drawing call us on 01622 235 672 |  3rd Angle Projection | Finish PPC | Page 2 of 6 |

Notes.
Example sections of AliClad Flow

Customer Sign Off.

Sign _____

Date _____

Record Of Revision Changes.

1. Creation of drawing (V1)

Colour; Any Standard RAL Colour

Delivery and Storage.

When components are delivered please ensure they are inspected and stored flat, also please ensure they are stored out of the sun. Do not store components upright.

Product Details:

Cladding Profiles



From

This drawing and the product it displays is the sole property of The Milwood Group & Alideck any reproduction of this drawing or product without the written permission of The Milwood Group & Alideck is prohibited.

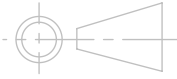


Drawing Title:

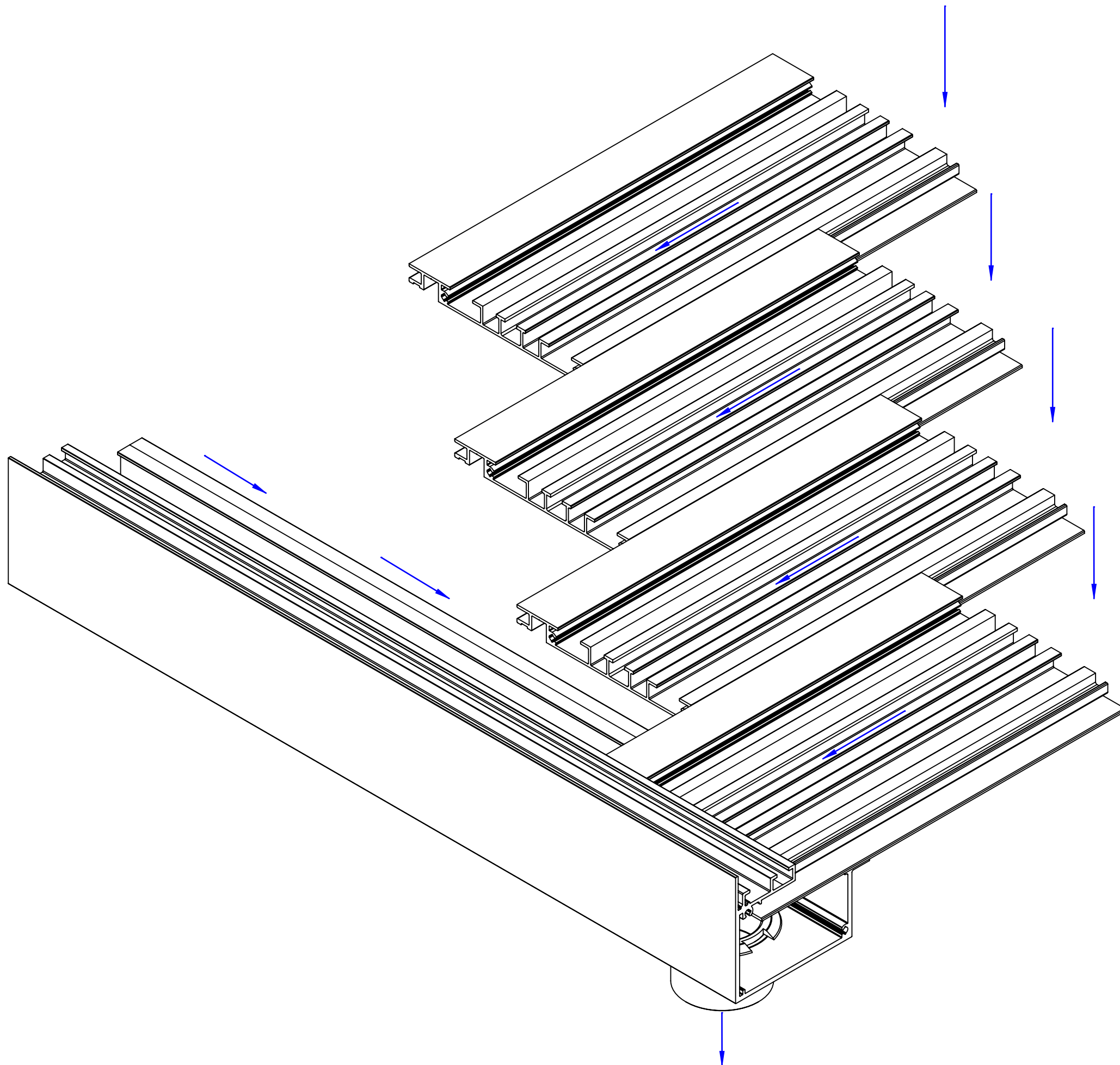
(AliClad Flow - Cladding Profile) - (Standard Drawing)

Product:

Cladding Profile

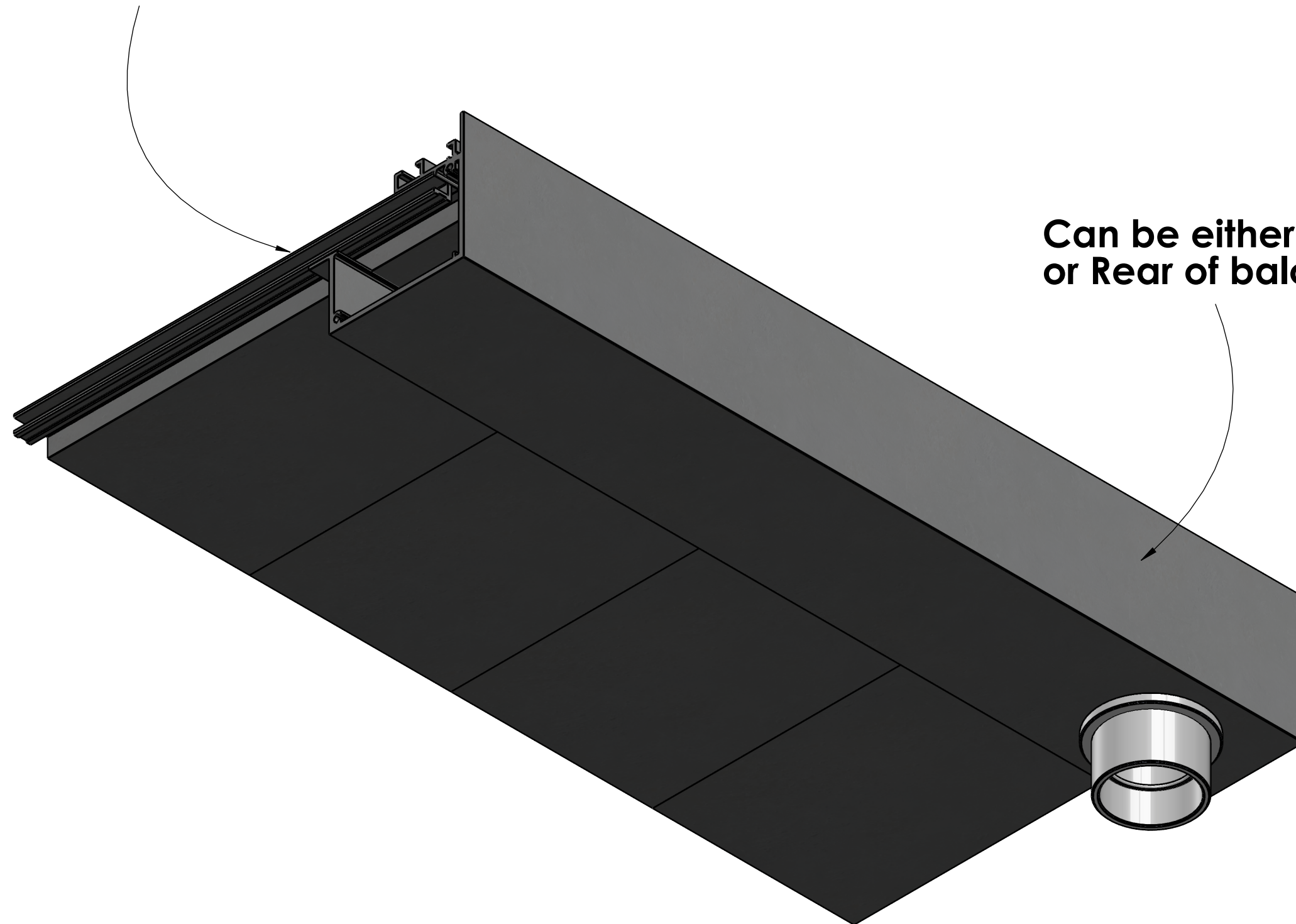
| | | | |
|--|---|----------------------------|-----------------------|
| Date 18-08-23 | Page Size A3 (L) | Scale DNS | Drawn Shyam |
| Issuer MIL | Sequence 000001 | (Tol) +/- 1mm | Rev V4 |
| If in any doubt about details on this drawing call us on 01622 235 672 |  3rd Angle Projection | Finish PPC | Page 3 of 6 |

DIRECTION OF FLUID



Notes.
Example sections of AliClad Flow

Corner section from underside



Can be either Front or Rear of balcony

Customer Sign Off.

Sign _____

Date _____

Record Of Revision Changes.

1. Creation of drawing (V1)

Colour; Any Standard RAL Colour

Delivery and Storage.

When components are delivered please ensure they are inspected and stored flat, also please ensure they are stored out of the sun. Do not store components upright.

Product Details:

Cladding Profiles



From

This drawing and the product it displays is the sole property of The Milwood Group & Alideck any reproduction of this drawing or product without the written permission of The Milwood Group & Alideck is prohibited.

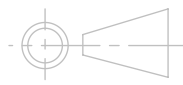


Drawing Title:

(AliClad Flow - Cladding Profile) - (Standard Drawing)

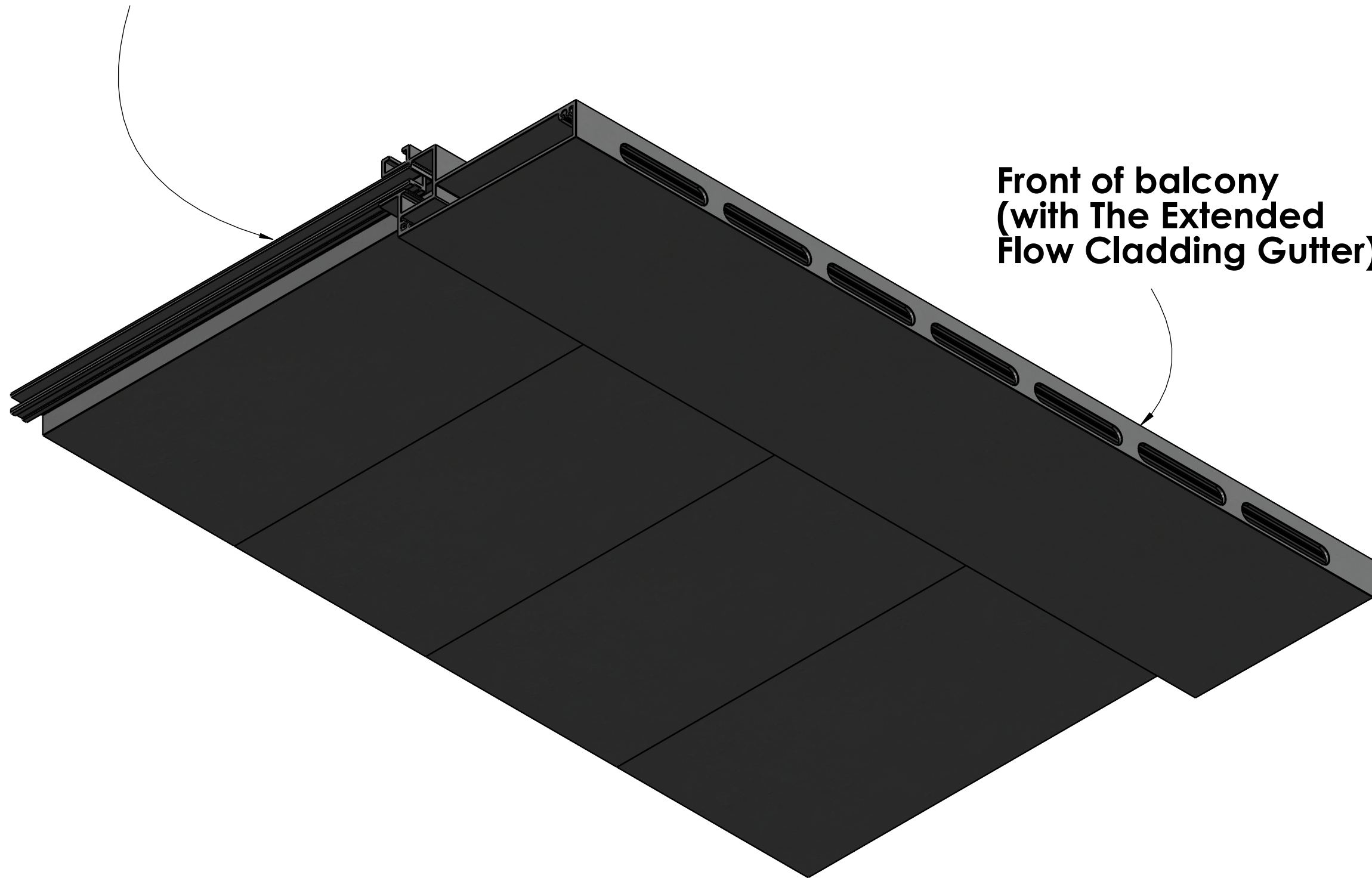
Product:

Cladding Profile

| Date | Page Size | Scale | Drawn |
|--|---|---------|--------|
| 18-08-23 | A3 (L) | DNS | Shyam |
| Issuer | Sequence | (Tol) | Rev |
| MIL | 000001 | +/- 1mm | V4 |
| If in any doubt about details on this drawing call us on 01622 235 672 |  | Finish | Page |
| | 3rd Angle Projection | PPC | 4 of 6 |

Notes.
Example sections of AliClad Flow

Corner section from underside



**Front of balcony
(with The Extended
Flow Cladding Gutter)**

Customer Sign Off.

Sign _____

Date _____

Record Of Revision Changes.

1. Creation of drawing (V1)

Colour; Any Standard RAL Colour

Delivery and Storage.
When components are delivered please ensure they are inspected and stored flat, also please ensure they are stored out of the sun. Do not store components upright.

Product Details:
Cladding Profiles



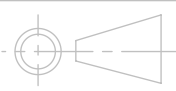
From

This drawing and the product it displays is the sole property of The Milwood Group & Alideck any reproduction of this drawing or product without the written permission of The Milwood Group & Alideck is prohibited.

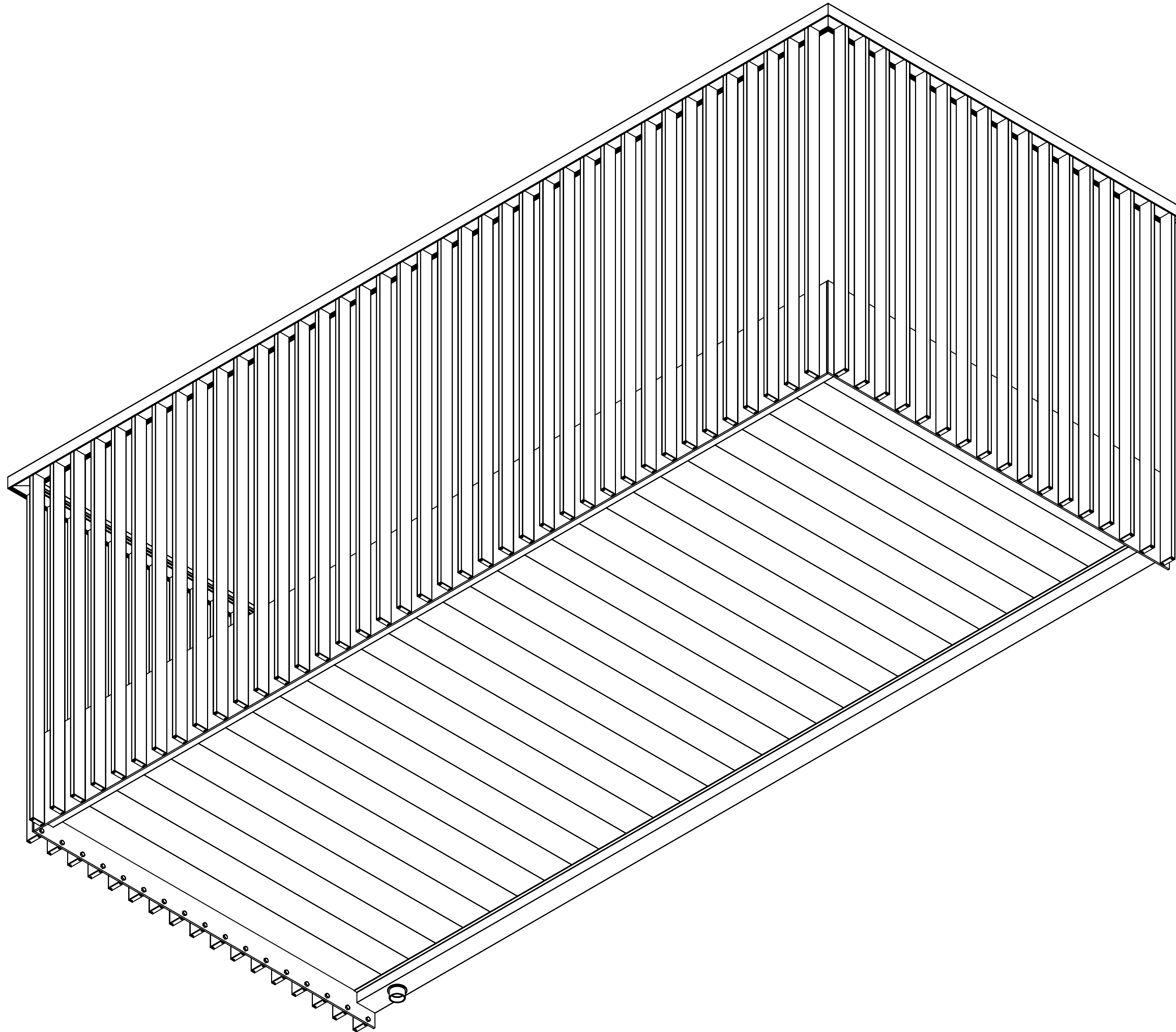


Drawing Title:
(AliClad Flow - Cladding Profile) - (Standard Drawing)

Product:
Cladding Profile

| | | | |
|--|---|----------------------------|-----------------------|
| Date 18-08-23 | Page Size A3 (L) | Scale DNS | Drawn Shyam |
| Issuer MIL | Sequence 000001 | (Tol) +/- 1mm | Rev V4 |
| If in any doubt about details on this drawing call us on 01622 235 672 |  3rd Angle Projection | Finish PPC | Page 5 of 6 |

(AliClad Flow - Cladding Profile) - (Standard Drawing)



Notes.
Example sections of AliClad Flow

Customer Sign Off.

Sign _____

Date _____

Record Of Revision Changes.

1. Creation of drawing (V1)

Colour; Any Standard RAL Colour

Delivery and Storage.

When components are delivered please ensure they are inspected and stored flat, also please ensure they are stored out of the sun. Do not store components upright.

Product Details:

Cladding Profiles



From

This drawing and the product it displays is the sole property of The Milwood Group & Alideck any reproduction of this drawing or product without the written permission of The Milwood Group & Alideck is prohibited.

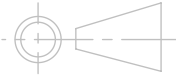


Drawing Title:

(AliClad Flow - Cladding Profile) - (Standard Drawing)

Product:

Cladding Profile

| | | | |
|--|---|----------------------------|-----------------------|
| Date 18-08-23 | Page Size A3 (L) | Scale DNS | Drawn Shyam |
| Issuer MIL | Sequence 000001 | (Tol) +/- 1mm | Rev V4 |
| If in any doubt about details on this drawing call us on 01622 235 672 |  3rd Angle Projection | Finish PPC | Page 6 of 6 |