

Lite Joist
Maximum span between fixings: 800mm
SCALE 1:1

Junior Balcony Board V2
Maximum span between fixings: 800mm
Length of extrusion stock: 6m & 4m
SCALE 1:1

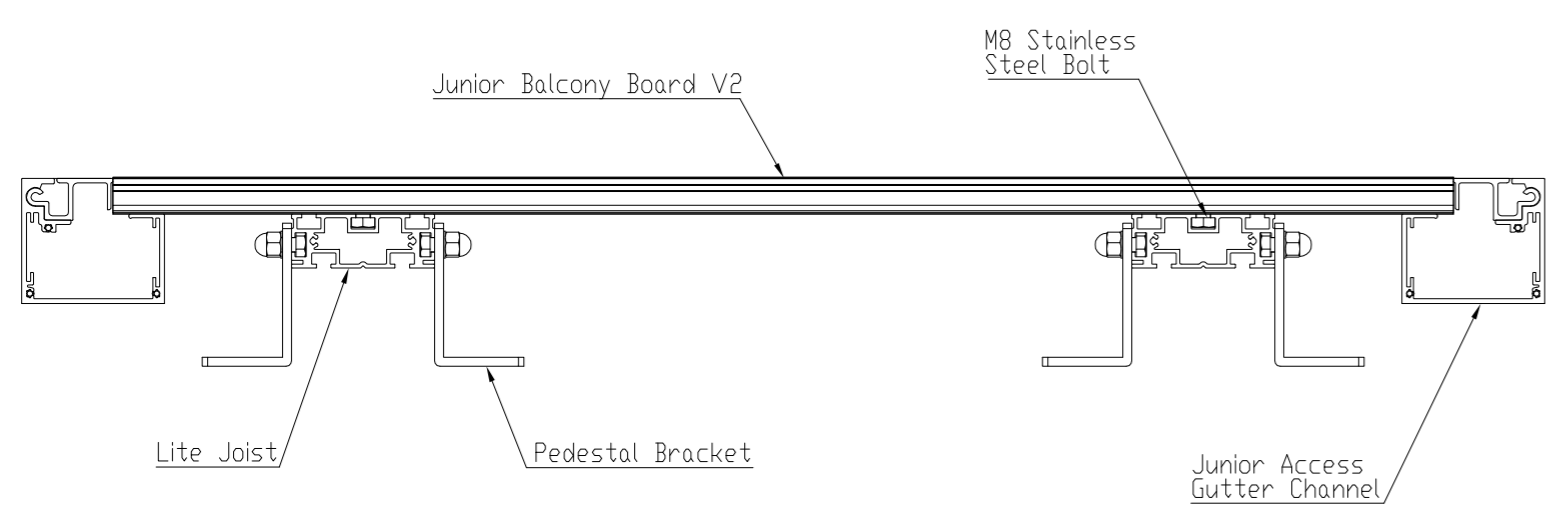
Junior Balcony Board Clip V2
Maximum length: 6000mm
SCALE 1:1

Junior Balcony Board Drainage Channel
Maximum length: 6000mm
SCALE 1:1

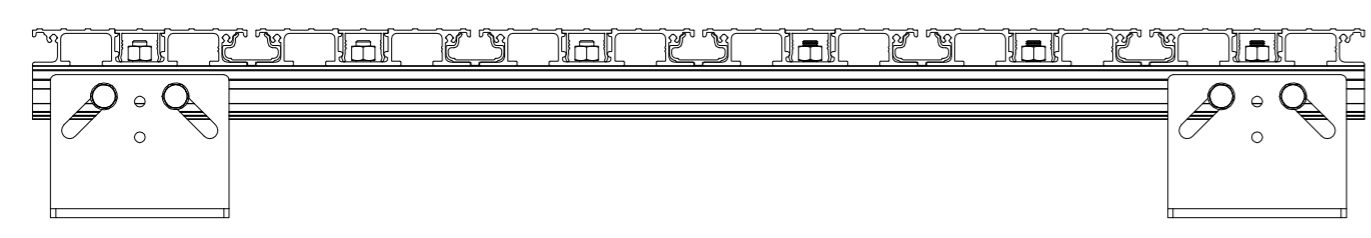
Pedestal Bracket
Maximum height: 200mm
SCALE 1:1

Access Gutter Cover
Maximum length: 6000mm
SCALE 1:1

Junior Access Gutter Channel
Maximum length: 6000mm
SCALE 1:1

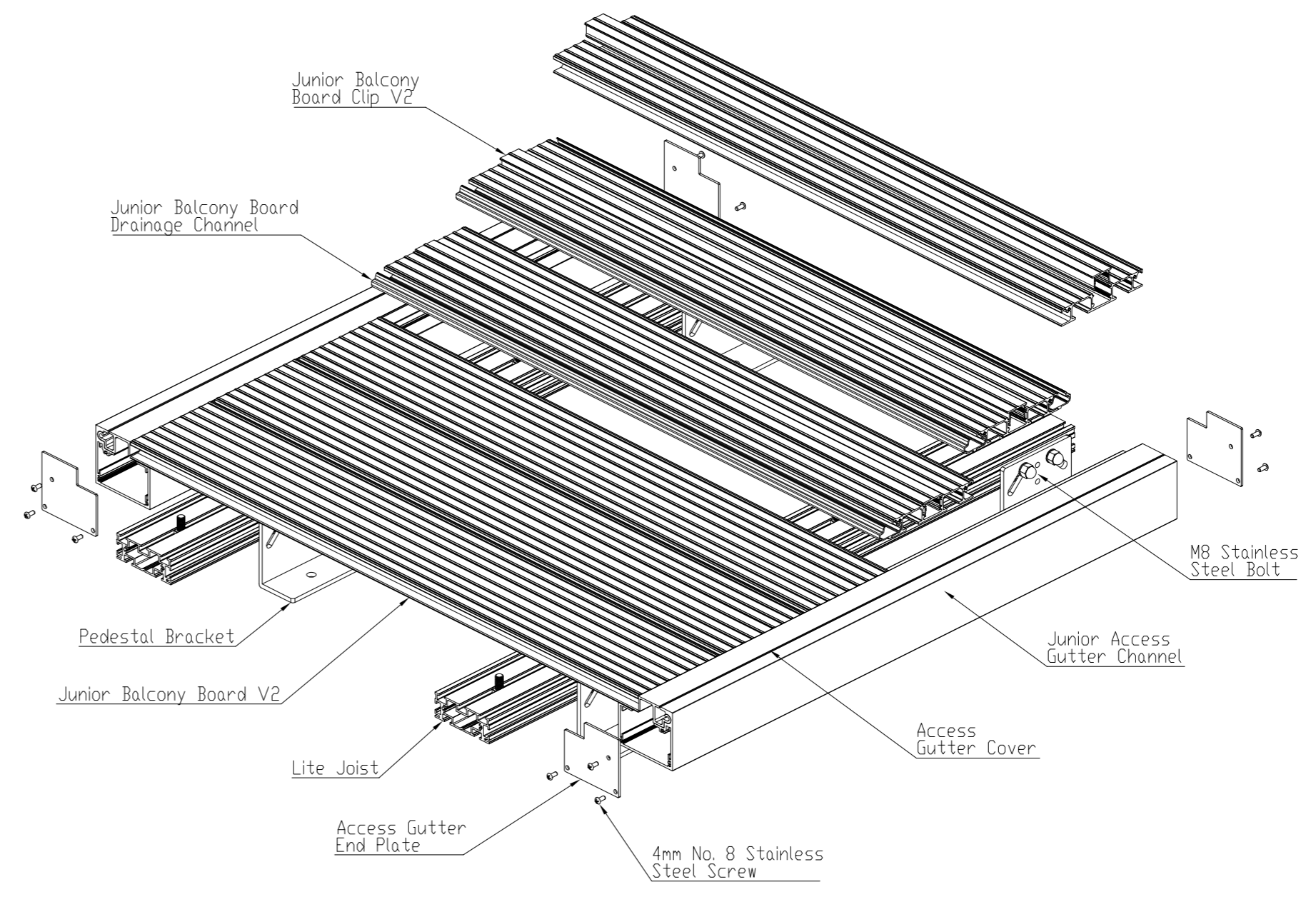


DETAIL A



DETAIL B

CROSS SECTION VIEWS



ISOMETRIC VIEW

Board Span (Center to Center of Joists) - 800mm
Joist Span (Center to Center of Pedestals) - 800mm

Colour : Any Standard RAL Colours



From
This drawing and the product it displays is the sole property of The Milwood Group & Alideck any reproduction of this drawing or product without the written permission of The Milwood Group & Alideck is prohibited.

Drawing Title:
(Alideck) - (Junior Balcony Board V2, Lite Joist, Pedestal Bracket & Balcony Drainage System)

Product:
Junior Board V2, Lite Joist & Pedestal Bracket

Date	Page Size	Scale	Drawn
17-08-23	A3 (L)	1:3	Shyam
Issuer	Sequence	(Tol)	Rev
MIL	000001	+/- 1mm	V1

If in any doubt about details on this drawing call us on 01622 255 672

Finish
PPC

Page
1 of 1