

SENIOR BOARD

with Lite Joist and Adjustable Pedestal Bracket

SYSTEM
3

A comprehensive non-combustible deck system, comprising: decking board, support joist, and adjustable pedestal bracket, with drainage options available. This system has a minimum build-up height of 60mm and 1200mm span between centre of joist. Available in the full range of AliDeck colours.

5 Main Features:

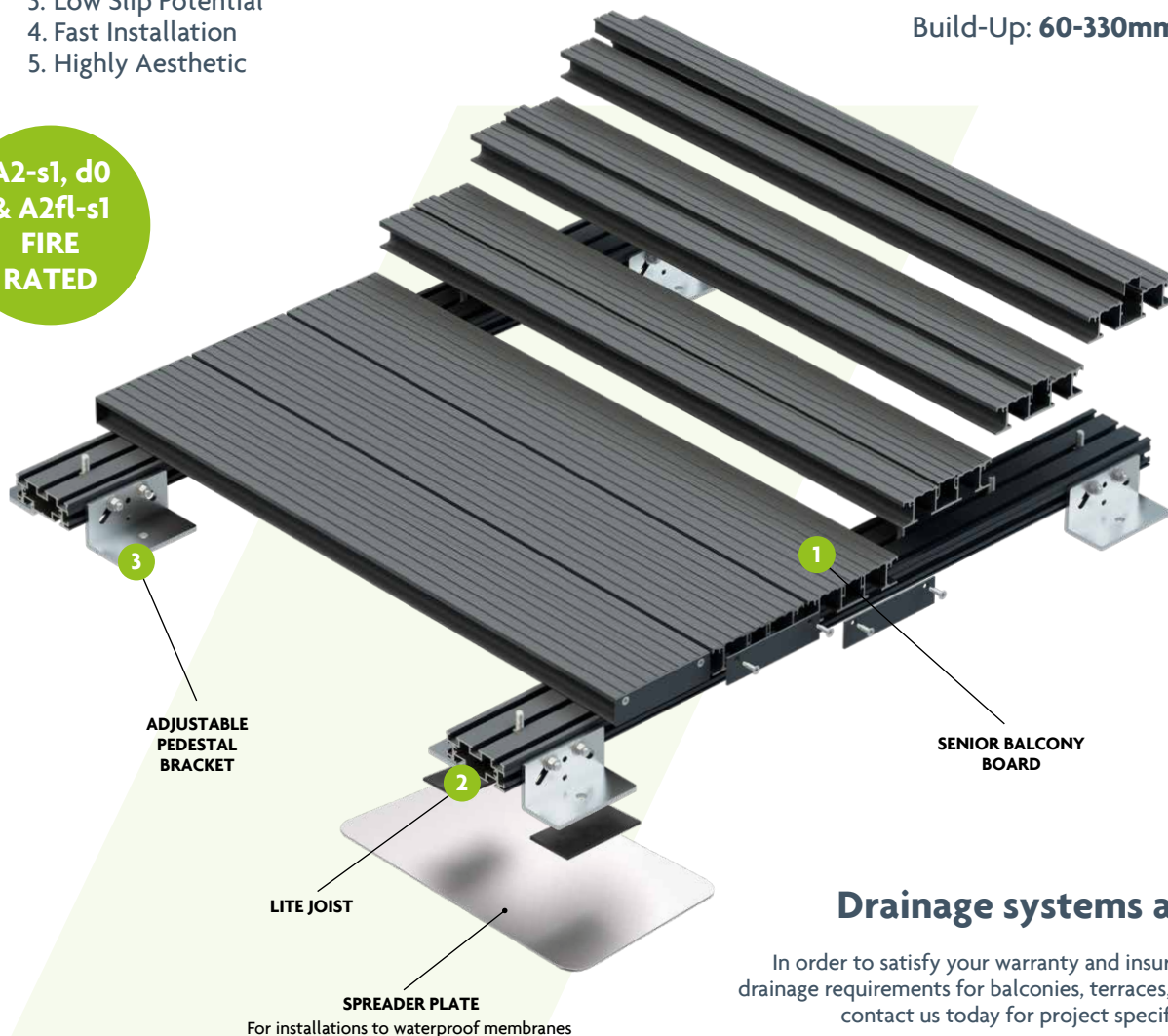
1. Excellent Fire Performance
2. Drainage Compatible
3. Low Slip Potential
4. Fast Installation
5. Highly Aesthetic

Board Span: **1200mm** ↔

Joist Span: **800mm** ↔

Build-Up: **60-330mm** ↕

A2-s1, d0
& A2fl-s1
FIRE
RATED



Drainage systems available

In order to satisfy your warranty and insurance providers drainage requirements for balconies, terraces, and walkways, contact us today for project specific calculations.

Europa & Jenner House
Victory Park
1-2 Trident Close
Medway City Estate
Rochester ME2 4ER

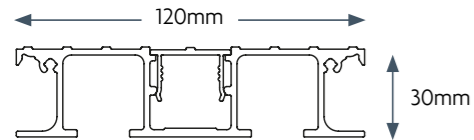
Tel: 01622 235 672
Email: info@alideck.co.uk
www.alideck.co.uk

ALIDECK™
Aluminium Decking

SENIOR BALCONY BOARD

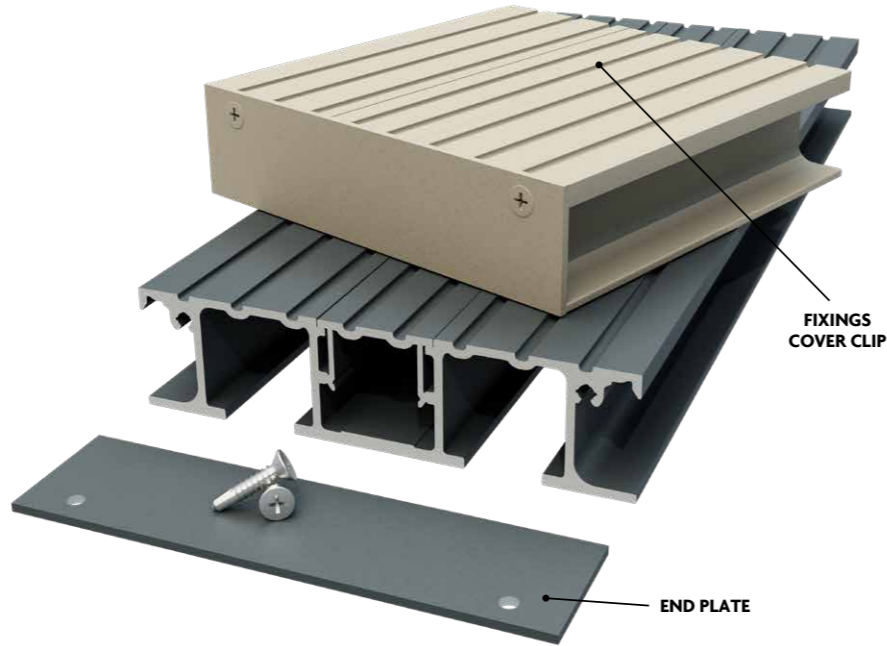
Specifically designed for installations on steel or concrete balconies, terrace decks, or walkway areas the AliDeck Senior Balcony board has been designed with 5 main features in mind.

Dimensions



INDIVIDUAL BOARDS:
Length: 4 & 6 metres
Width: 120mm
Depth: 30mm
Weight: 2.105KG per linear metre
Span: Up to 1200mm

The boards can be cut to size along both the length and width



Benefits include:

1 FIRE RESISTANCE

The boards are manufactured completely from aluminium and are therefore fire resistant and non-combustible to **A2-s1, d0** and **A2fl-s1** when coated.

2 DRAINAGE

They can also be spaced to allow for varying drainage requirements and are compatible with the AliDeck Balcony Drainage System.

3 SLIP RESISTANCE

DIRECTION	CONDITION				1	2	3	4	5	MEAN	PREV	RISK
A	Dry	100	100	100	100	100	100	100	100	100	0	Low
A	Wet	85	86	85	85	84	84	83	82	84	0	Low
B	Dry	76	79	78	78	77	77	76	77	77	0	Low
B	Wet	48	47	46	46	45	44	44	44	45	0	Low
C	Dry	99	99	98	97	97	96	95	97	96	0	Low
C	Wet	59	58	57	56	55	54	54	53	54	0	Low

Pendulum Test Values (PTVs) - Low Slip Potential 35+ | Moderate Slip Potential 25-35 | High Slip Potential 0-25

4 INSTALLATION

Speed and ease of installation are key to any project, so we have designed a board that has a unique invisible (structural) top clip system which can be installed from the top down. The board can also be trimmed down the length to match any projection of balcony and still be structurally stable across the whole plank.

5 AESTHETICS

AliDeck operates its very own Qualicoat Standard **IN-HOUSE** seven-stage pre-treatment powder-coating facility using Class 2 powders for complete peace of mind.

Please Note: The test is conducted 8 times, with the first three tests being 'warm up tests' the data then starts to be recorded upon the 4th test. The average is taken from the 5 tests and is shown in the column marked MEAN.

The directions are: Length, Width & Diagonal. Each direction has a score depending on wet and dry conditions. Direction A is length, direction B is width, and direction C is diagonal.

The tests were carried out in accordance with B57976 part 2.

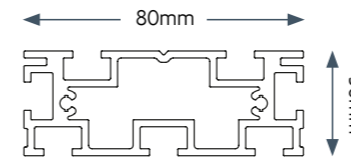
The full test report is available for download from our website.

LITE JOIST

The AliDeck Lite Joist is an integral part of the AliDeck System. This extrusion is designed to act as a support and a joist for the complete range of AliDeck boards for use on steel or concrete balconies, terrace deck, or walkway areas that require adjustable heights. This joist works in conjunction with the AliDeck Adjustable Pedestals and the rest of the AliDeck board range.



Dimensions



LITE JOIST SPAN CAPABILITIES:
 The Lite Joist can span up to 800mm between pedestals with an L/360 allowable deflection, based on a 1.4kN loading.

Benefits include:

- **Fire Rated:** A1 (Mill Finish) & A2-s1,d0
- **Weight:** 1.926kg per linear metre
- **Coating Thickness:** 60-80 Microns
- **Colours:** Full Range of AliDeck Colours
- **Stock Extrusion Length:** 6m
- **Span:** Up to 800mm
- **Warranty:** 30 Years
- **Life Expectancy:** 60 Years

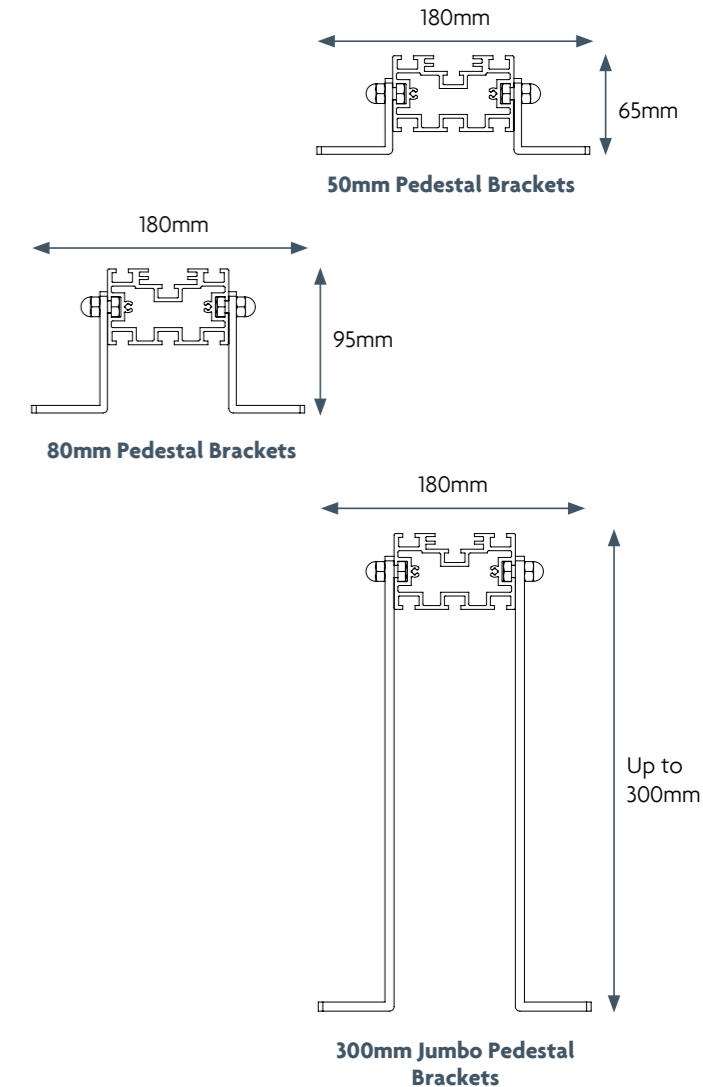
ADJUSTABLE PEDESTAL BRACKET

Low Profile Adjustable Brackets are a solution driven product, specifically designed for installations where a low threshold is required but can be used for build-up heights from 60-330mm. This A1 fire rated product is cost-effective and quick to install. It works seamlessly with all of our joists. Contact us for standard sizes.



*Image showing pedestal example only

Dimensions



Product Specification

- Fire resistant: A1 and A2fl-s1 when coated
- Board slip resistance in the dry – see table on page 2
- Board slip resistant in the wet – see table on page 2
- The weight of the Senior Balcony board is 2.105Kg per linear metre. The weight of the Lite Joist 1.926kg per linear metre
- Coating thickness - 60-80 microns
- Impact test - with an energy of 2.5kJ to ensure that the coating adheres to the substrate to EN ISO 6272 / ASTM D2794
- Bend test - on 5mm mandrel to ensure adhesion after bending to EN ISO 1519
- Machu Test (accelerated corrosion test) - in a solution made up of sodium chloride acetic acid and hydrogen peroxide at 37° C. Duration 48 hours
- Qualicoat 2.4.1. - cross hatch cuts are made at 2mm spacings with one being at 90 degrees to the other cut, tape is the applied left for 2 minutes and removed to check for adhesion of paint (EN ISO 2409 2013)
- Qualicoat 2.18 - sawing and drilling test to ensure no flaking after cutting (using sharp tools)
- Acid salt spray test - ISO 9227
- EN ISO 3231 - Resistance to humid atmospheres containing Sulphur Dioxide
- EN ISO 11341 - Accelerated weathering test
- EN ISO 20810 - Natural weathering test (Florida Test) (Carried out on Powder Type)
- EN ISO 12206-1 - Resistance to mortar (Carried out on powder type)
- EN ISO 6270 – 2 - Constant climate condensation water test.

Protective Finish

The planks are coloured using the Qualicoat powder coating finish. Qualicoat is a quality label organisation committed to maintaining and promoting the quality of coating on aluminium and its alloys for architectural applications.

Installation

The AliDeck aluminium decking systems are 50% quicker to install compared to other decking systems on the market. This is because you only need to install the AliDeck Joists or support system up to every 1200mm between joists and every 800mm between pedestals maintaining an L/360 allowable deflection, based on a 1.4kN loading, whereas most other decking systems require joists every 400mm.

Full installation videos and installation guides are available on www.alideck.co.uk.

Construction

The boards are constructed completely from 100% aluminium (6063 T6 grade), up to 67% of which has been recycled to make these boards eco-friendly and much better for the environment.

Maintenance

AliDeck's aluminium decking, finished with a 7-stage Qualicoat system, requires minimal maintenance. A quick wipe with a damp lint-free cloth is enough. Our superior Class 2 powder coating exceeds industry standards, ensuring lasting quality with less upkeep.

Colour Options

AliDeck Boards and Joists are available in our full range of standard colours. Please refer to our Standard Colour Range datasheet for colour options (available at www.alideck.co.uk/downloads).

Non-standard colours are available on request as special orders, but may affect cost and lead-time. The Joists and Pedestals can be supplied non-coated/mill finish to achieve A1 fire rating.



Warranty

The decking is supplied with a **30 year warranty** against splitting, cracking, warping, splintering, rotting, twisting and material or manufacturing defects. It has a minimum **60 year life expectancy**.



A1 & A2fl-s1
FIRE RATED



ALL
ALUMINIUM



HEAT
RESISTANT



DURABLE
TEXTURED FINISH



LOW
MAINTENANCE



RECYCLABLE



STABLE IN ALL
WEATHER
CONDITIONS

Europa & Jenner House
Victory Park
1-2 Trident Close
Medway City Estate
Rochester ME2 4ER

Tel: 01622 235 672
Email: info@alideck.co.uk
www.alideck.co.uk

 **ALIDECK**™
Aluminium Decking