

AliDeck

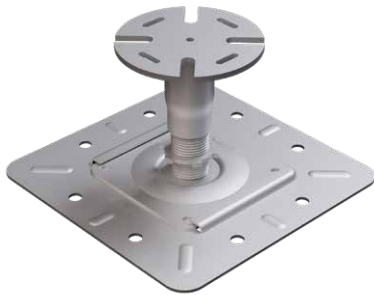


Specification
Datasheet

ADJUSTABLE PEDESTAL WITH OPTIONAL CARRIER

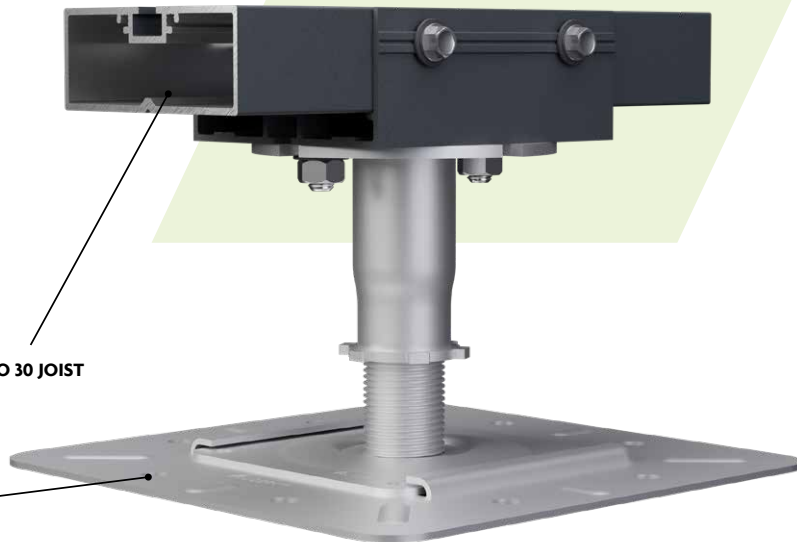
& Optional Spreader Plate

CLASS A1
FIRE
RATED



ECO 30 JOIST

OPTIONAL
SPREADER
PLATE



ADJUSTABLE
PEDESTAL WITH
CARRIER

Adjustable Pedestals with Optional Carrier is a value engineered product specially designed to offer complete flexibility across an installation. With a minimum build-up height of 26mm* and a maximum of 275mm without any supporting components factored in, they're an ideal solution to create the desired varying build-up heights across a wide variety of project scenarios.

* When used without optional spreader plate.

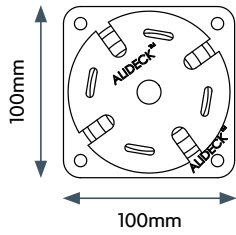
Product Specification

Fire Rating:	A1
Material:	Pedestal Steel coated with Zintek 200 Carrier 6063 T6 structural grade Aluminium
Height range	26mm to 275mm (without Optional Carrier & Spreader Plate)
Base Diameter:	100mm x 100mm
Coating:	Zintek 200
Biological/chemical	Resistant to moulds, algae, alkali, bitumen

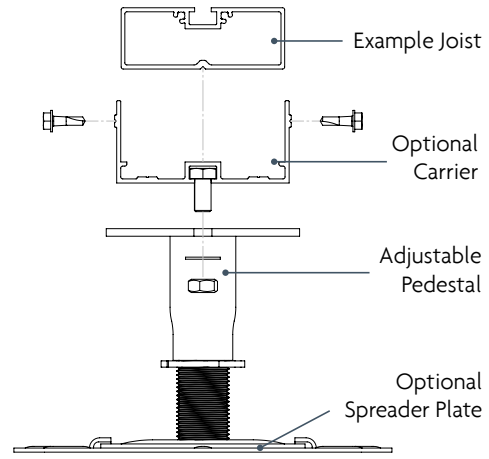
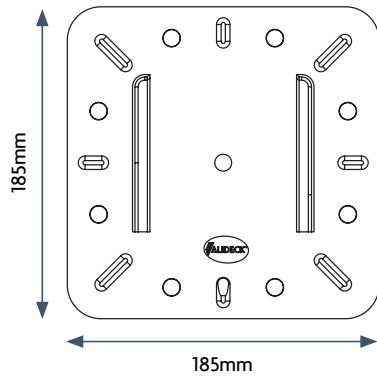
All AliDeck Pedestals have been independently tested; for loading performance to BS 6180; for deflection performance to BS 8118, BS 6399, and BS 1991. As pedestals are supplied mill finish, an A1 fire rating is automatically achieved.

Dimensions

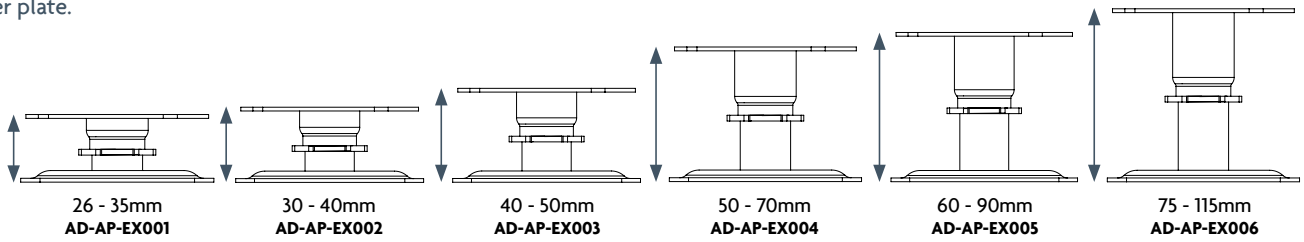
ADJUSTABLE PEDESTAL



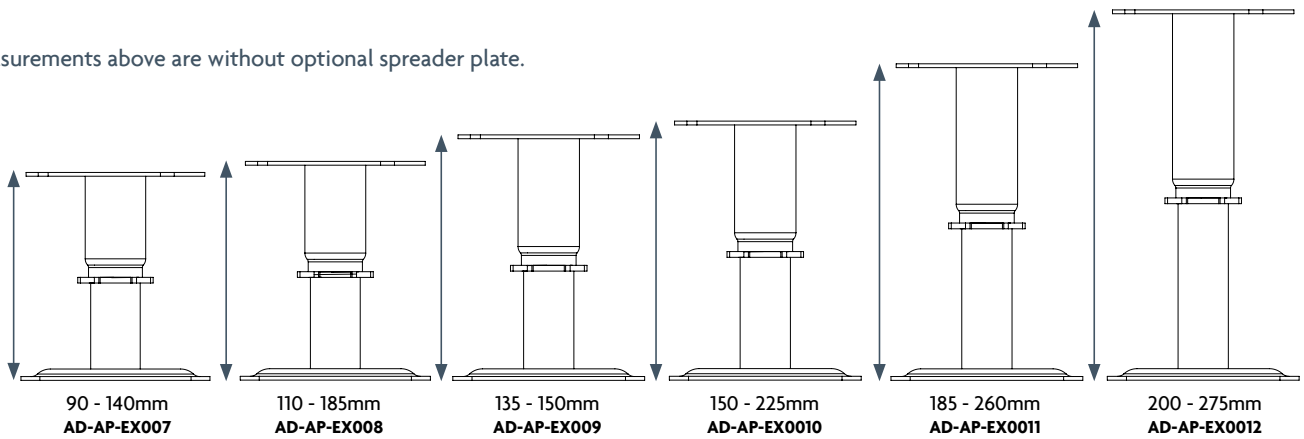
SPREADER PLATE



Please note: These measurements do not include decking board, joist, or optional spreader plate.



All measurements above are without optional spreader plate.



Warranty

The brackets are supplied with a **25 year warranty** against rotting and any material or manufacturing defects. They have a minimum 60 year life expectancy.



A1 FIRE RATED



ALL ALUMINIUM



HEAT RESISTANT



LOW MAINTENANCE



RECYCLABLE



STABLE IN ALL WEATHER CONDITIONS

Europa & Jenner House
Victory Park
1-2 Trident Close
Medway City Estate
Rochester ME2 4ER

Tel: 01622 235 672
Email: info@alideck.co.uk
www.alideck.co.uk

