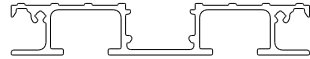


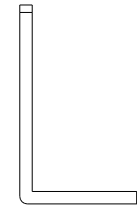
Eco 30 Joist  
Maximum length: 6000mm  
SCALE 1:1



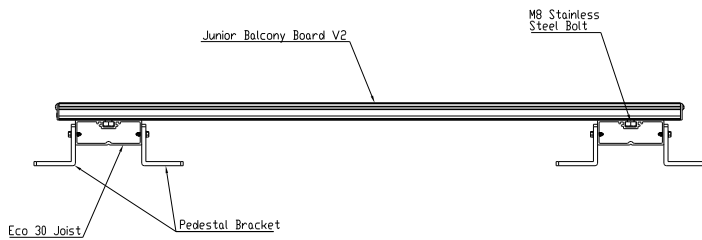
Junior Balcony Board V2  
Maximum span between fixings: 800mm  
Length of extrusion stock: 6m & 4m  
SCALE 1:1



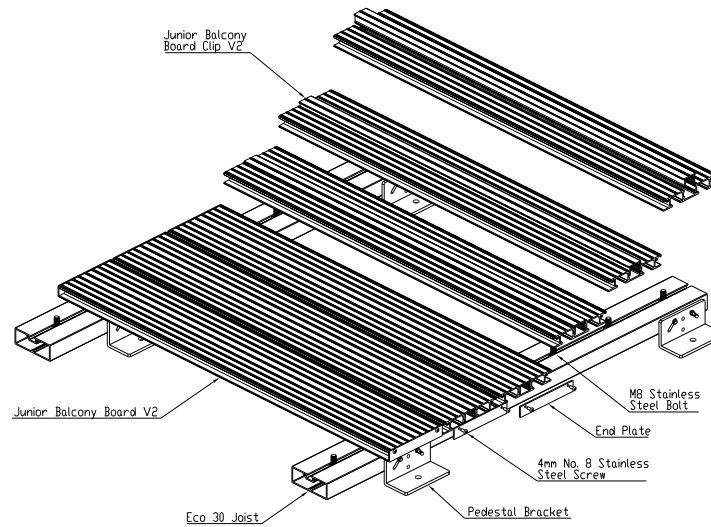
Junior Balcony Board Clip V2  
Maximum length: 6000mm  
SCALE 1:1



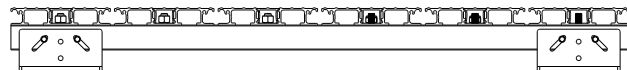
Pedestal Bracket  
Maximum height: 200mm  
SCALE 1:1



DETAIL A



ISOMETRIC VIEW



DETAIL B

CROSS SECTION VIEWS

Board Span (Center to Center of Joists) - 800mm  
Joist Span (Center to Center of Pedestals) - 800mm

Colour : 10 Standard Colours



From  
This drawing and the product it depicts is the sole property of The Milwood Group & Alideck is any reproduction of this drawing or product without the written permission of The Milwood Group & Alideck is prohibited.

Drawing Title:  
(Alideck ) - (Junior Balcony Board V2, Eco 30 Joist & Pedestal Bracket)

Product:  
Junior Board V2, Eco 30 Joist & Pedestals

|          |           |       |       |
|----------|-----------|-------|-------|
| Date     | Page Size | Scale | Drawn |
| 27-09-23 | A3 (L)    | 1:3   | Shyan |
| Issuer   | Sequence  | (Tot) | Rev   |
| MIL      | 00001     | 1/1   | V1    |

If in any doubt, please contact us on this drawing off at an email 233 622

