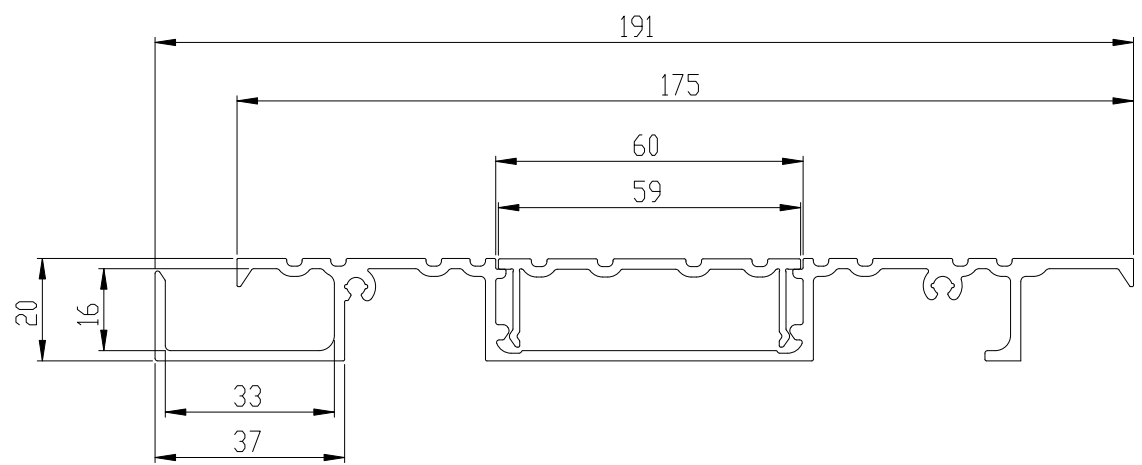


(Alideck) - (Ultra Balcony Board)



Notes.
Contractor to be responsible for checking this scheme against architects drawings/site requirements and to advise Alideck immediately of any discrepancies. Orders placed against Alideck drawing reference assume approval of this scheme. Any materials required over and above the quantities given, will be charged accordingly.

Customer Sign Off.

Sign _____

Date _____

Record DF Revision Changes.
1. Creation of drawing (V1)

Colour; Any Standard RAL Colour

Delivery and Storage.
When delivered check that all boards and joists are present. Check whether the boards or joists have suffered any visible damage in transit Damaged panels must be noted on the delivery document and replaced if necessary. The boards and joists are delivered on a pallet (protected) and should also be stored this way on site. Do not store boards or joists standing upright.


Delivery Address

From

This drawing and the product it displays is the sole property of The Milwood Group & Alideck any reproduction of this drawing or product without the written permission of The Milwood Group & Alideck is prohibited.

Drawing Title:
(Alideck) - (Ultra Balcony Board)

Product:
Ultra Balcony Board

Date 26-09-22	Page Size A3 (L)	Scale DNS	Drawn Shyam
Issuer MIL	Sequence 000001	(Tol) +/- 1mm	Rev V1
If in any doubt about details on this drawing call us on 01622 235 672		Finish PPC	Page 1 of 1