

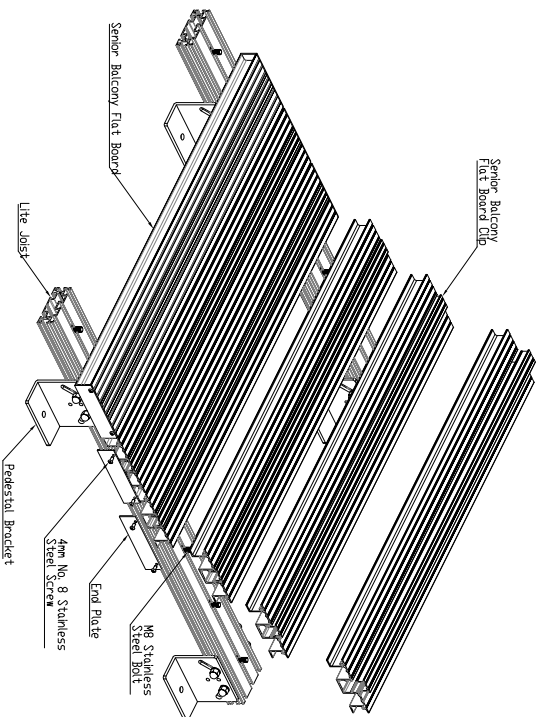
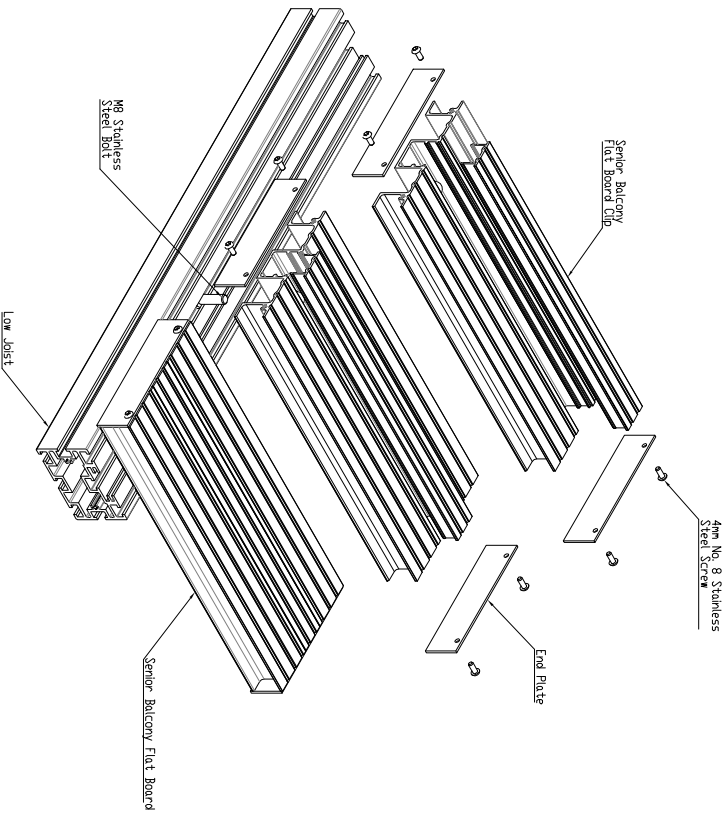
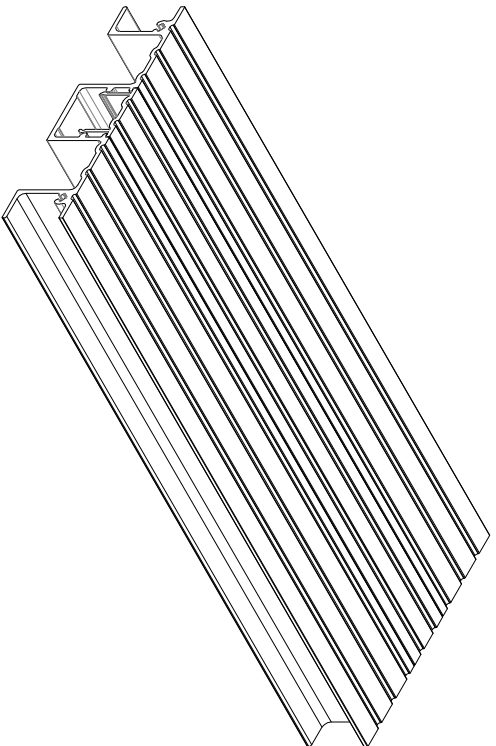
Senior Balcony Flat Board  
 Maximum span between fixings: 1000mm  
 Length of expansion stud on S Joist  
 Can be joined

SCALE: 1:1



Senior Balcony Flat Board Lip  
 Maximum length: 6000mm  
 Can be joined

SCALE: 1:1



ISOMETRIC VIEW

Board Span (Center to Center of Joists) - 1000mm

Colour : 10 Standard Colours	
This drawing is the property of ALIDECK and is not to be reproduced or used in any form without the prior written permission of ALIDECK.	
Drawing Title: Senior Balcony Flat Board	
Product: Senior Balcony Flat Board	
Date: 20-08-23	Page Size: A4 (D)
Scale: 1:1	Scale: 1:1
Issue: MLL	Sequence: 000001
Issuer: MLL	COA: 000001
Rev: V2	Rev: V2
Finish: PPC	Page: 1 of 1