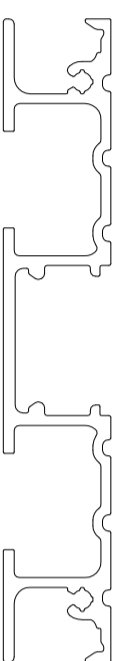


Low Joist

Maximum length: 6000mm

SCALE 1:1



Junior Balcony Flat Board V2

Maximum span between fixings: 800mm
Length of extrusion stock: 6m & 4m

SCALE 1:1



Junior Balcony Flat Board Clip V2

Maximum length: 6000mm

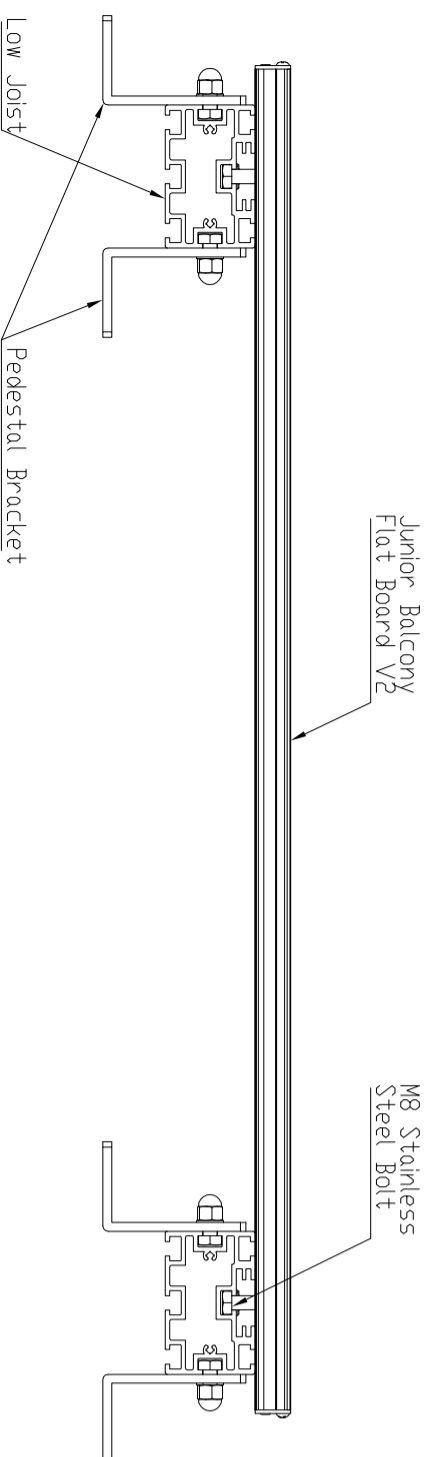
SCALE 1:1



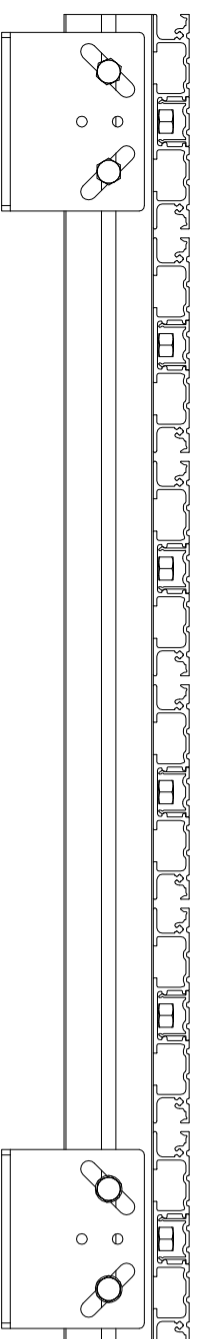
Pedestal Bracket

Maximum height: 200mm

SCALE 1:1

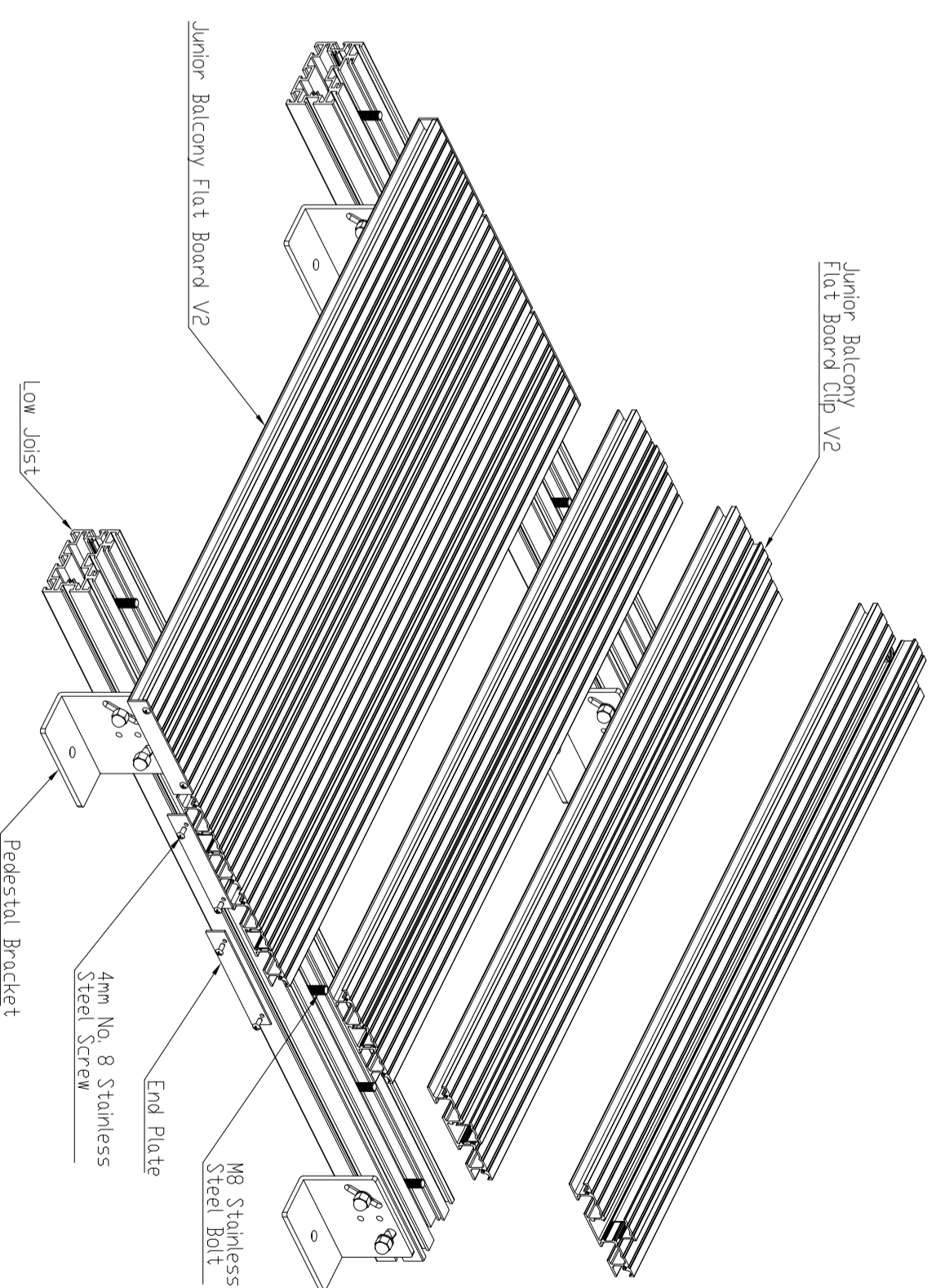


DETAIL A



DETAIL B

CROSS SECTION VIEWS



ISOMETRIC VIEW

Board Span (Center to Center of Joists) – 800mm
Joist Span (Center to Center of Pedestals) – 1200mm

Colour : 10 Standard Colours



From
MILWOOD
ALUMINIUM DECKING

Drawing Title:
Junior Balcony Flat Board V2

Product:
Junior Flat Board V2 Low Joist & Pedestal Bracket

Date	Page Size	Scale	Drawn
01-01-23	A3 (L)	1:3	Shyam
Issuer	Sequence	(TO)	Rev
MIL	000001	mm	V2
U.S. and other countries: about the drawing call us on 0025 225 692	3rd Angle Projection	Finish	Page
		PPC	1 of 1