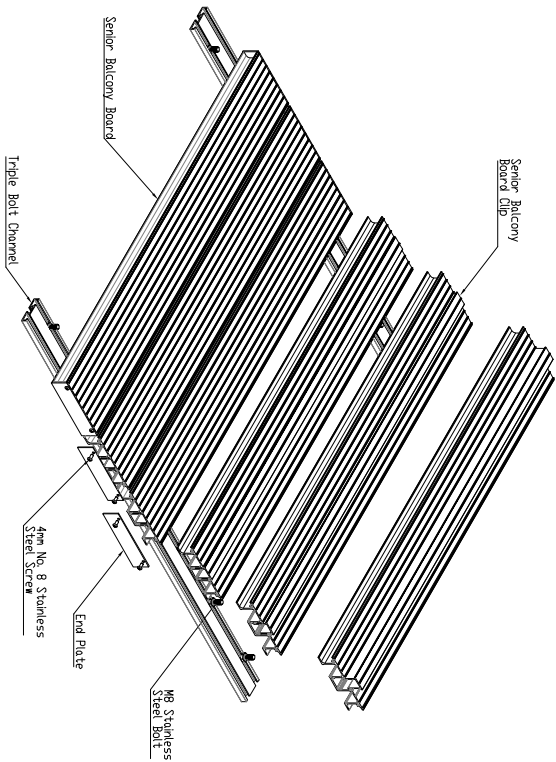
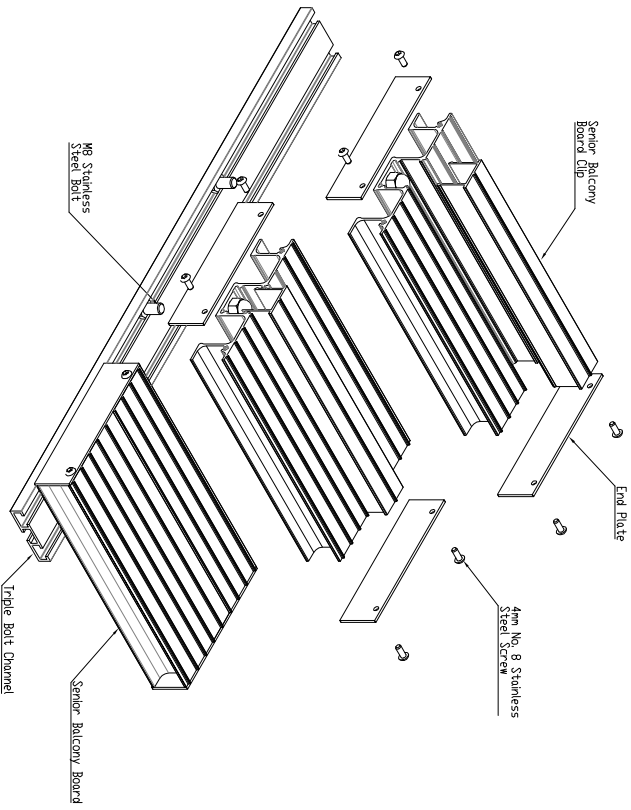
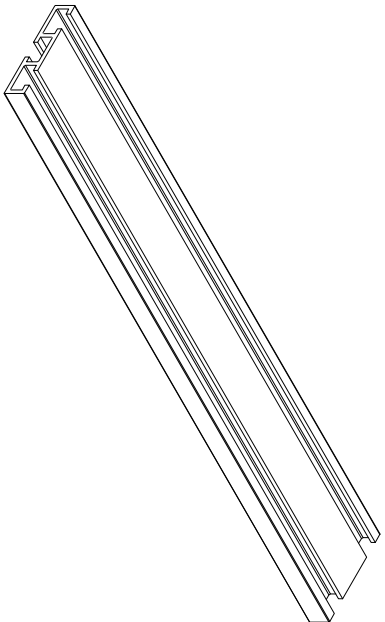




Triple Bolt Channel
Maximum length: 6000mm

SCALE: 1:1



ISOMETRIC VIEW

Colour : 10 Standard Colours



This drawing is the property of Alideck and is not to be reproduced without the written permission of the relevant Group.
Drawing Title: (Alideck) - (Triple Bolt Channel-Standard Drawing)

PRODUCT:		Triple Bolt Channel	
Issue	Page Size	Scale	Drawn
20-08-21	A4 (D)	1:10	Shyam
MLL	Sequence	CT&D	Rev
000001	000001	04	V2
Finish		Page	
PPC		1 of 1	