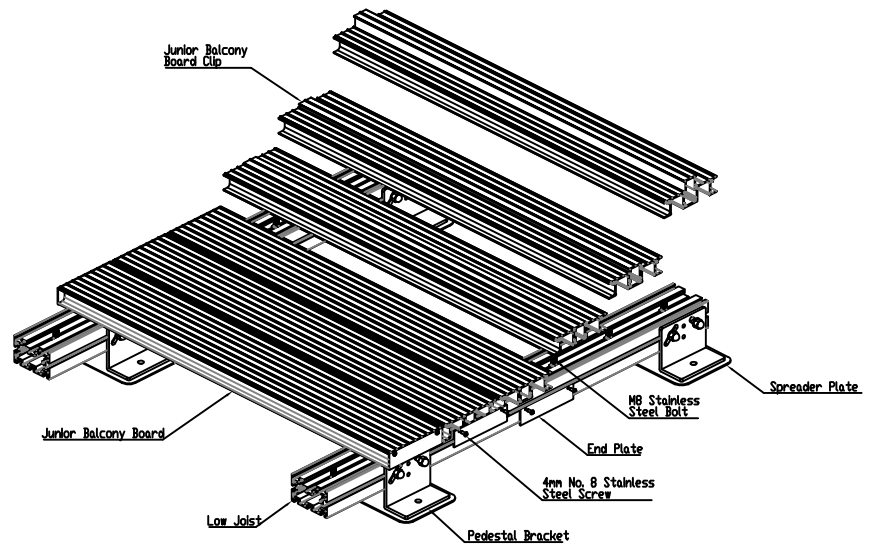
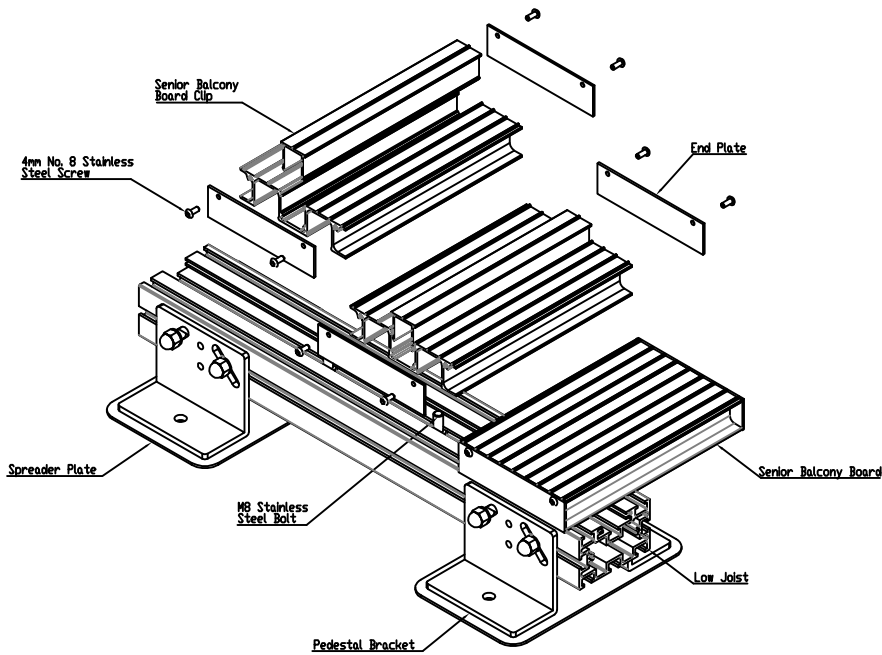


Spreader Plate
Maximum Length 200mm

SCALE 1:1



ISOMETRIC VIEW

Colour : 10 Standard Colours



From
This drawing and the product is shown in the size of 1000mm x 2000mm. The Maxwood Group is not responsible for any reproduction of this drawing or product without the written permission of The Maxwood Group. It is prohibited.

Drawing Title:
(Aldeck) - (Spreader Plate - Standard Drawing)

Product:

Spreader Plate

Date	Page Size	Scale	Drawn
24-02-21	A2 (L)	1:3	Shayan
Issuer	Sequence	(Tot)	Rev
MIL	000001	1/1	V1

Finish	Page
PPC	1 of 1

2nd Angle Projection