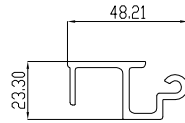


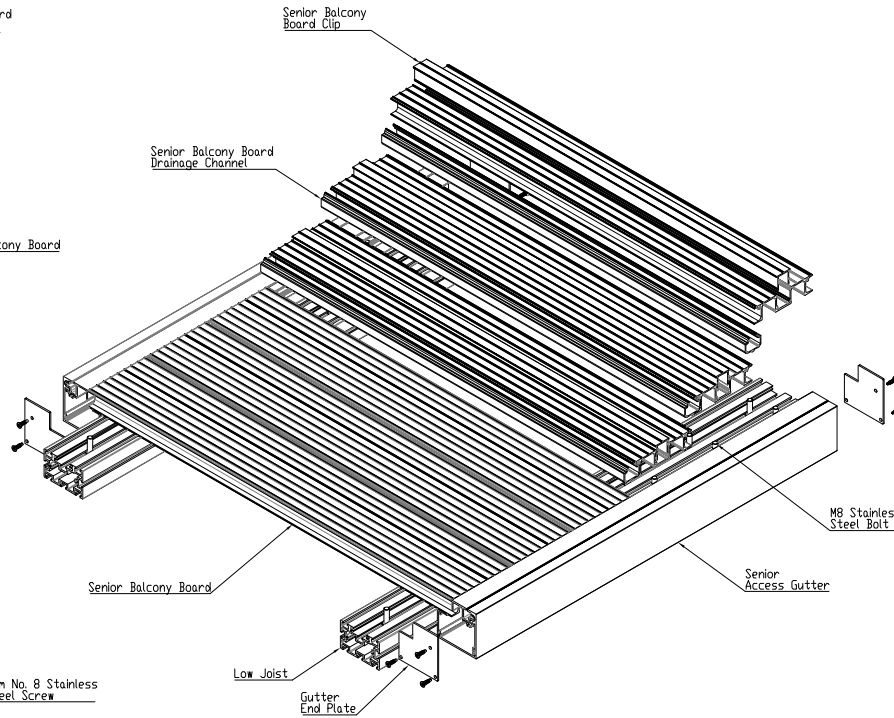
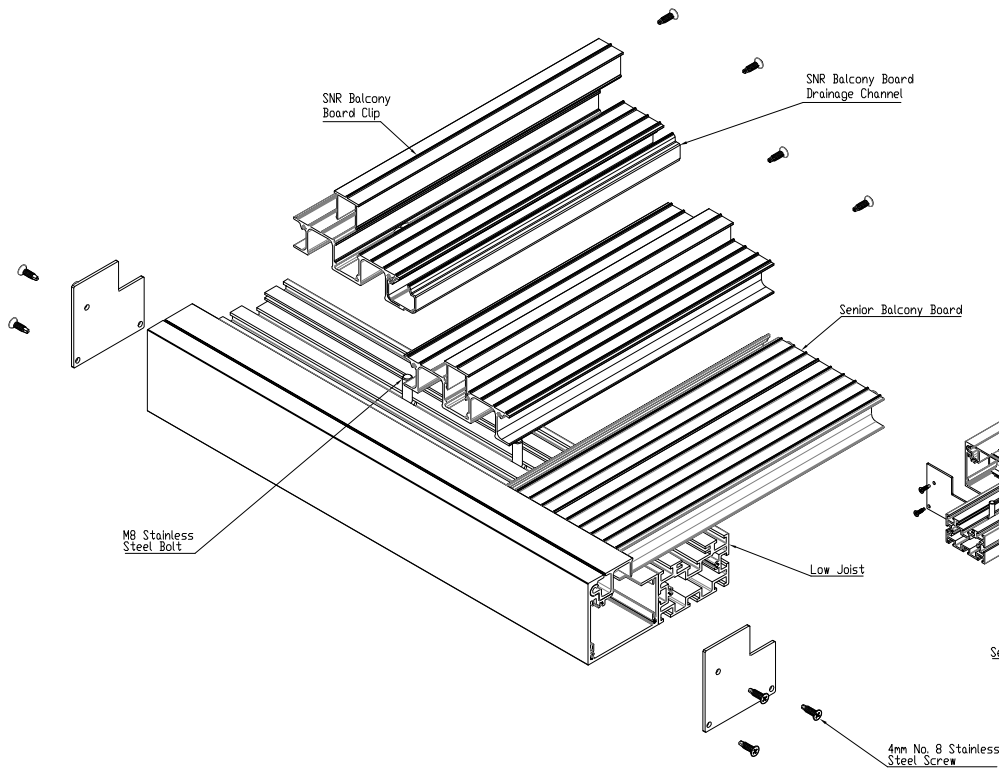
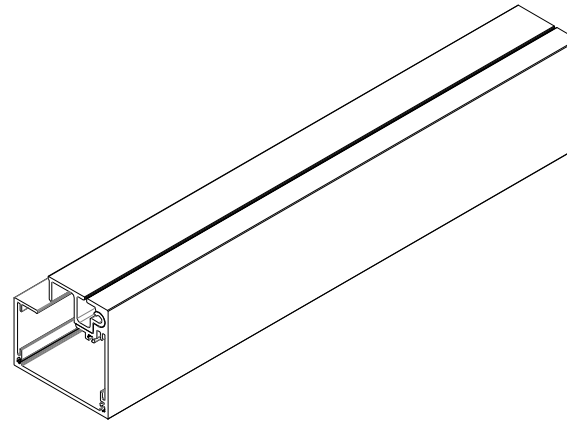
Senior Access
Gutter Channel
Maximum length: 6000mm
Can be joined

SCALE 1:1



Senior Access
Gutter Cover
Maximum length: 6000mm
Can not be joined

SCALE 1:1



ISOMETRIC VIEW

Colour : 10 Standard Colours



From
This drawing and the product is
Milwood Group & Alideck
any reproduction of this drawing
or product without the written
permission of The Milwood Group
& Alideck is prohibited.

Drawing Title:
(Alideck) - (Senior Access Gutter
- Standard Drawing)

Product:
Senior Access Gutter

Date	Page Size	Scale	Drawn
12-03-22	A2 (L)	1:3	Shyan
Issuer	Sequence	(Tot)	Rev
MIL	000001	1/1	V1
If in any doubt about details on this drawing call on 1800 120 120	Finish	Page	
	PPC	1 of 1	