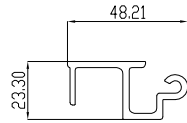


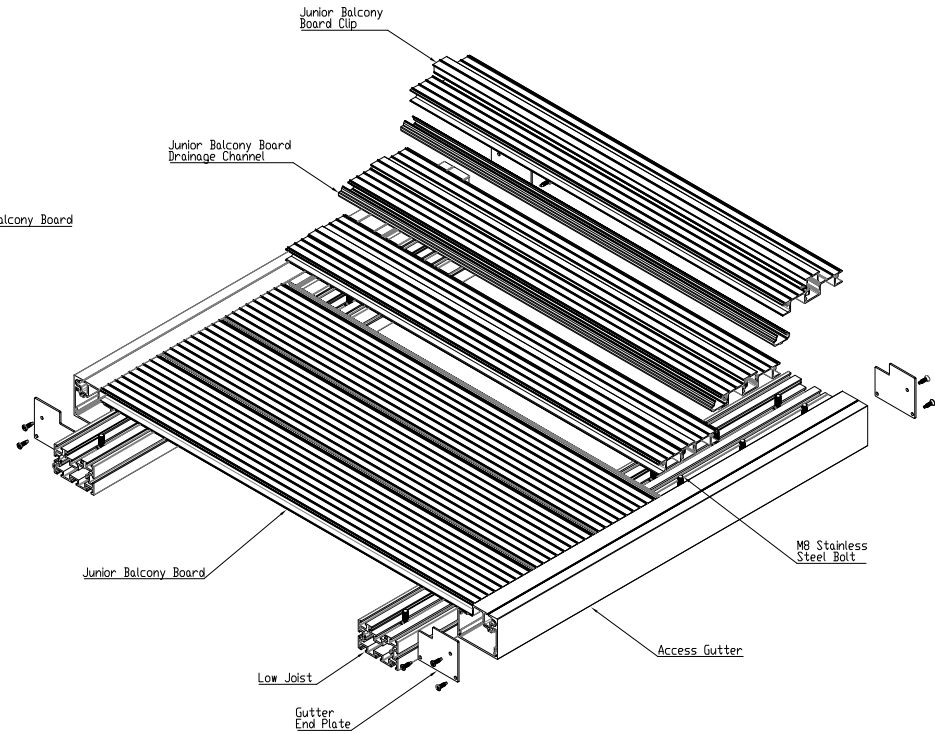
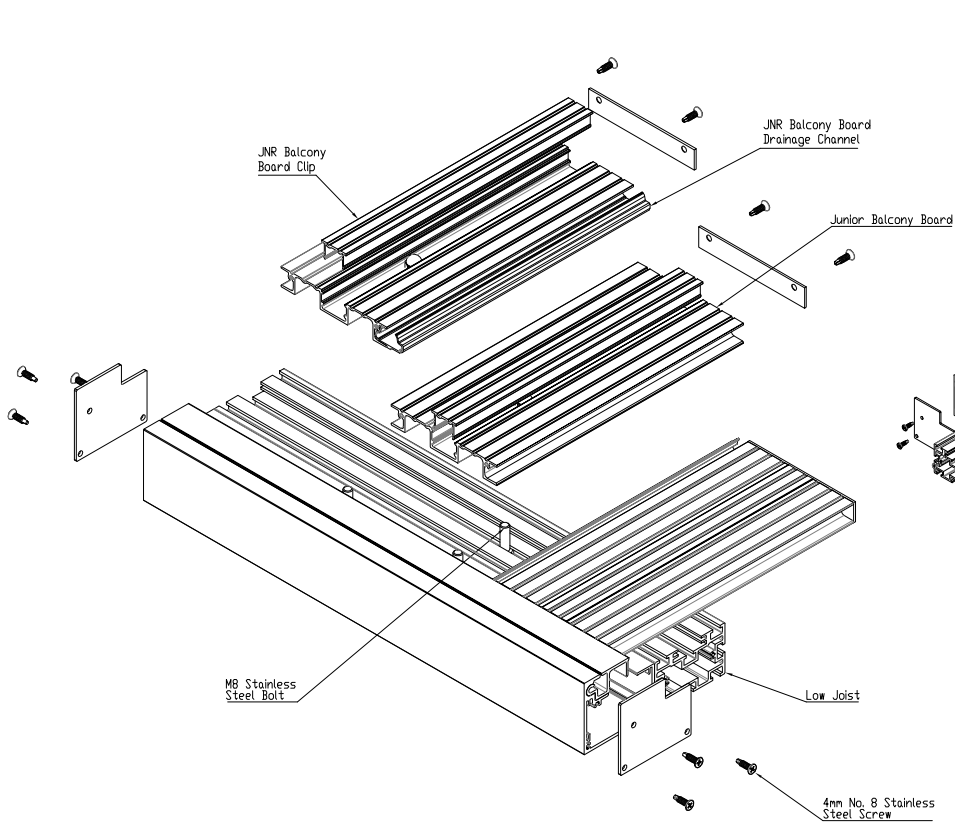
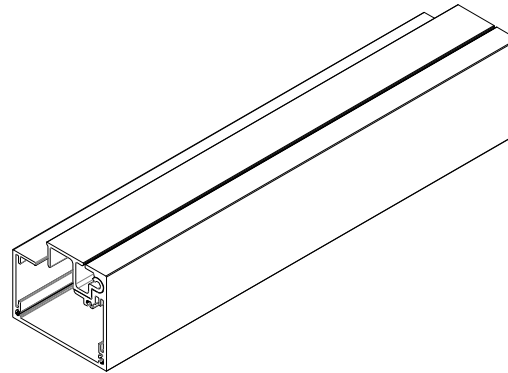
Junior Access Gutter Channel
Maximum length: 6000mm
Can be joined

SCALE 1:1



Junior Access Gutter Cover
Maximum length: 6000mm
Can not be joined

SCALE 1:1



ISOMETRIC VIEW

Colour : 10 Standard Colours



From
This drawing and the product is
provided to the user subject to the
terms and conditions of the
any reproduction or distribution
or product without the written
permission of The Milwood Group
is strictly prohibited.



Drawing Title:
(Alideck) - (Junior Access Gutter
- Standard Drawing)

Product:
Junior Access Gutter

Date	Page Size	Scale	Drawn
17-03-22	A2 (L)	1:3	Shyam
Issuer	Sequence	(Tot)	Rev
MIL	000001	1/1	V1
Finish	Page		
PPC	1 of 1		

If in any doubt
about details on
this drawing call
us on 1800 120 120

