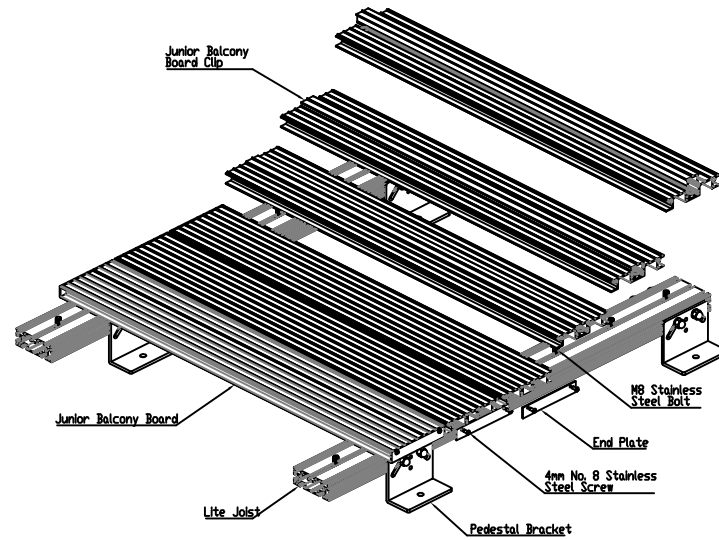
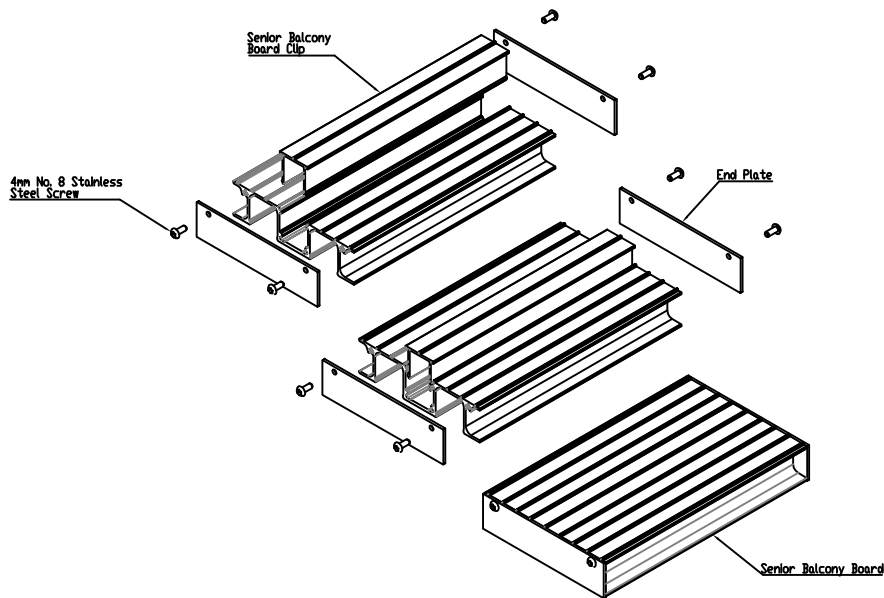


Balcony Board End Plate

Maximum height: 30mm

SCALE 1:1



ISOMETRIC VIEW

Colour : 10 Standard Colours



From
 This drawing and the product is
 provided to the user subject to the
 terms and conditions of the license
 agreement. Any reproduction of this drawing
 or product without the written
 permission of The Milwood Group
 is strictly prohibited.

Drawing Title:
 (Aldeck) - (End Plate - Standard Drawing)

Product:
 End Plate

Date	Page Size	Scale	Drawn
17-02-21	A2 (L)	1:3	Shyam
Issuer	Sequence	(Tot)	Rev
MIL	000001	1/1	V1
Finish	Page		
PPC	1 of 1		

