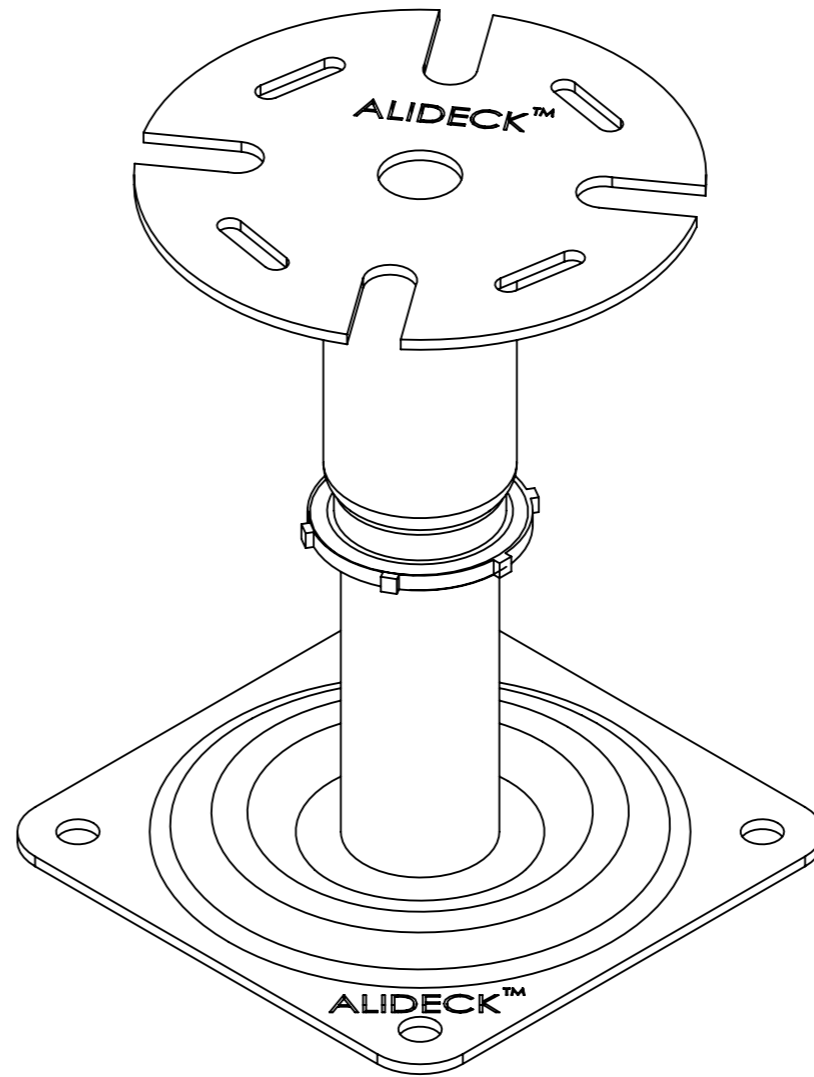
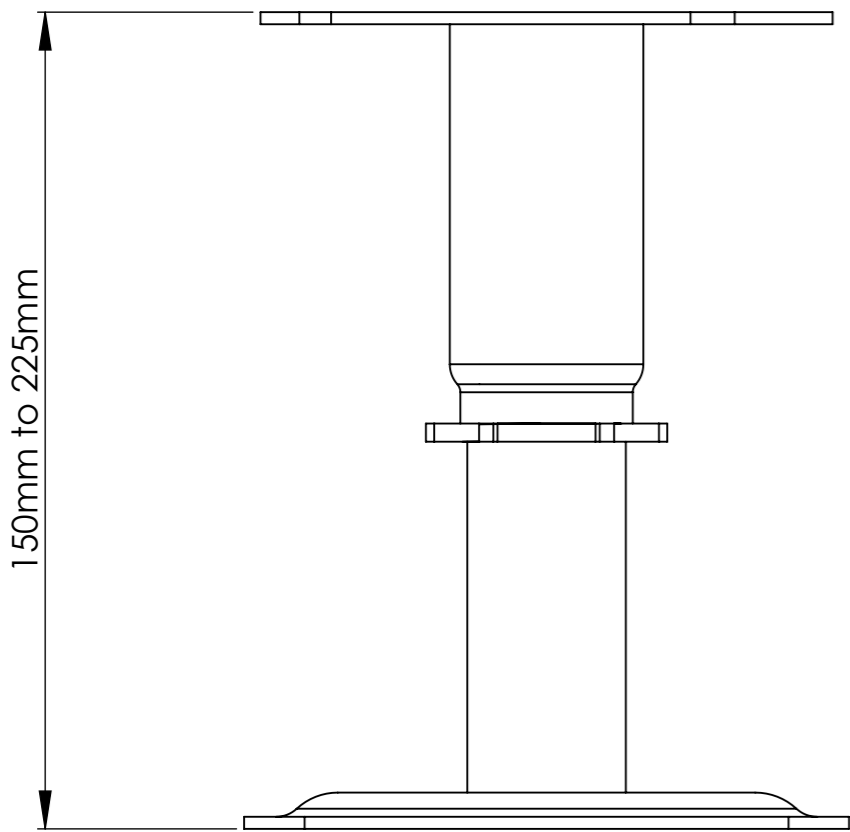
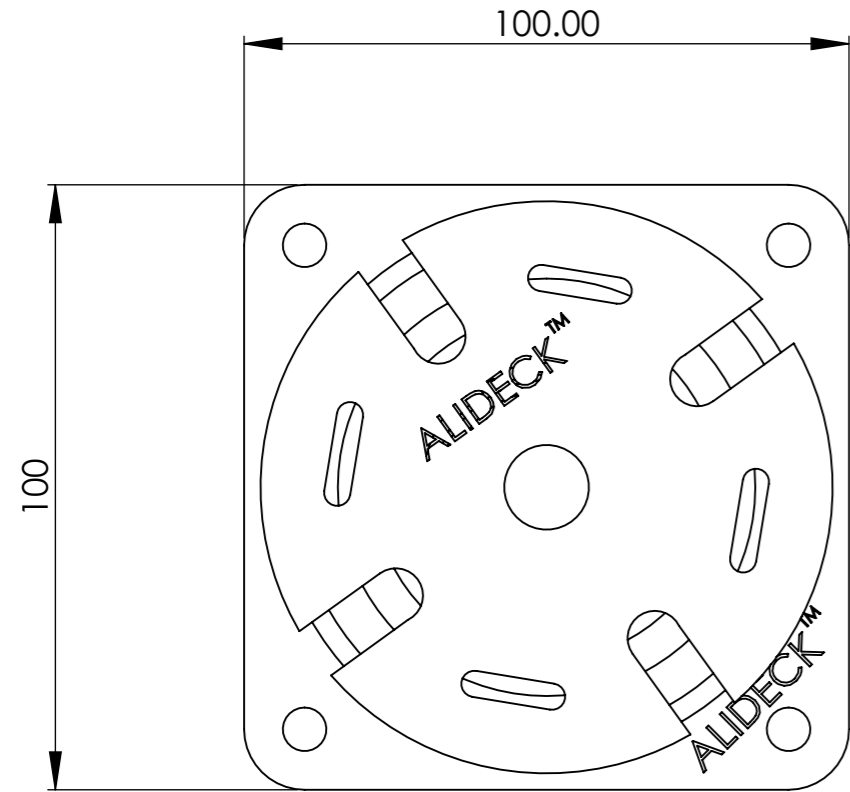


Adjustable Pedestal 150mm to 225mm - AD-AP-EX0010



**Adjustable Pedestal 150mm to 225mm - AD-AP-EX0010**

**Notes.**  
This is an example product, the options are configurable.

**Customer Sign Off.**  
Sign \_\_\_\_\_  
Date \_\_\_\_\_

**Record Of Revision Changes.**  
1. Creation of drawing (V1)

**Coating:** ZINTEK 200XT  
**Exceptional performance:** Neutral salt spray test (NSS) and cyclic corrosion testing (CCT).  
**Excellent colour stability:** Attractive silver appearance and outstanding delay of white corrosion.  
**Environmentally sound:** Free of harmful metals such as Cr(VI), cadmium, cobalt, lead or nickel.

**Delivery and Storage.**  
When components are delivered please ensure they are inspected and stored flat, also please ensure they are stored out of the sun. Do not store components upright.

**Product Details:**  
Adjustable Pedestal 150mm to 225mm - AD-AP-EX0010



From  
This drawing and the product it displays is the sole property of The Milwood Group & Alideck any reproduction of this drawing or product without the written permission of The Milwood Group & Alideck is prohibited.



**Drawing Title:**  
Adjustable Pedestal 150mm to 225mm - AD-AP-EX0010

**Product:**  
Adjustable Pedestal 150mm to 225mm - AD-AP-EX0010

Date	Page Size	Scale	Drawn
20-10-23	A3 (L)	DNS	Shyam
Issuer	Sequence	(Tol)	Rev
MIL	000001	+/- 1mm	V1
If in any doubt about details on this drawing call us on 01622 235 672		Finish	Page
	3rd Angle Projection	PPC	1 of 1