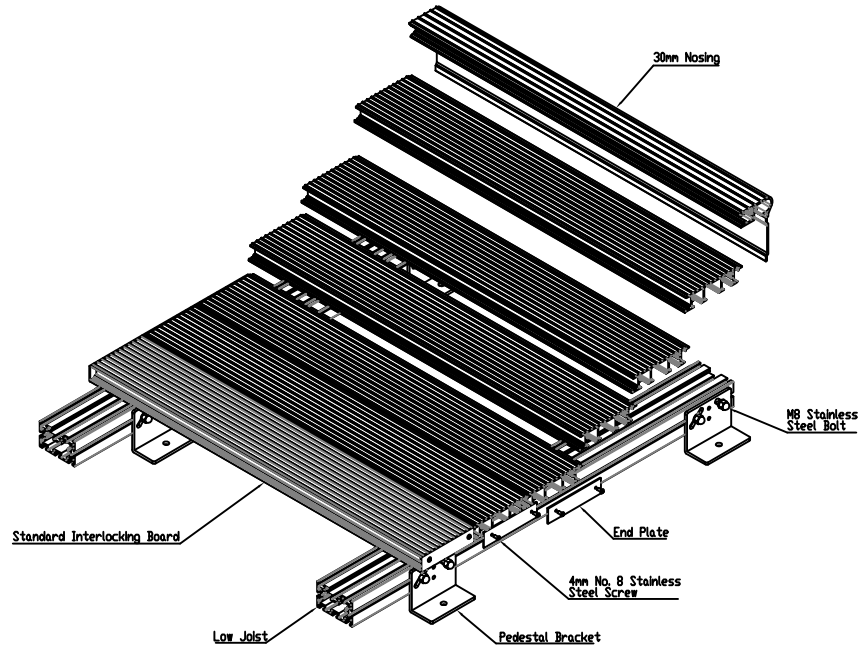
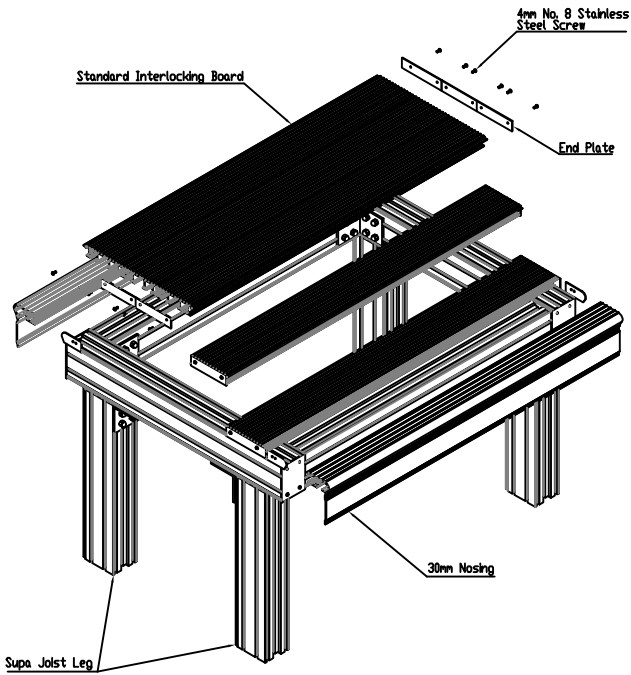
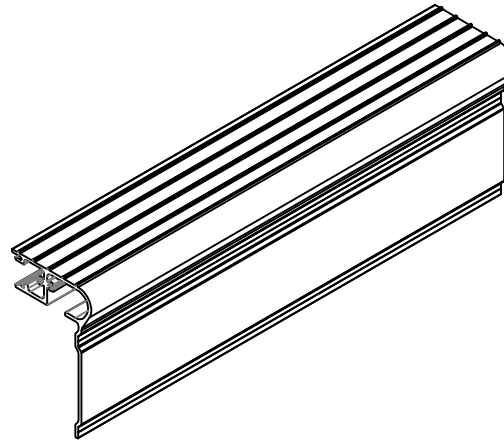


30mm Nosing

Length of extrusion stock 6m & 4m
Can not be joined

SCALE 1:1



ISOMETRIC VIEW

Colour : 10 Standard Colours



From
This drawing and the product is
provided to the user subject to
the Milwood Group's Alideck
any reproduction of this drawing
or product without the written
permission of The Milwood Group
is Alideck is prohibited.

Drawing Title:
(Alideck) - (30mm Nosing - Standard Drawing)

Product:
30mm Nosing

Date	Page Size	Scale	Drawn
23-02-21	A2 (L)	1:3	Shyan
Issuer	Sequence	(Tot)	Rev
MIL	000001	1/1	V1
Finish			Page
PPC			1 of 1

