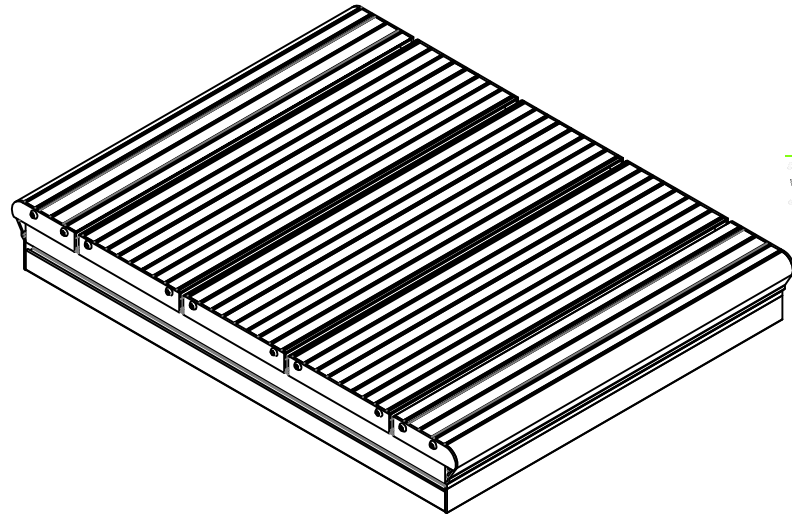
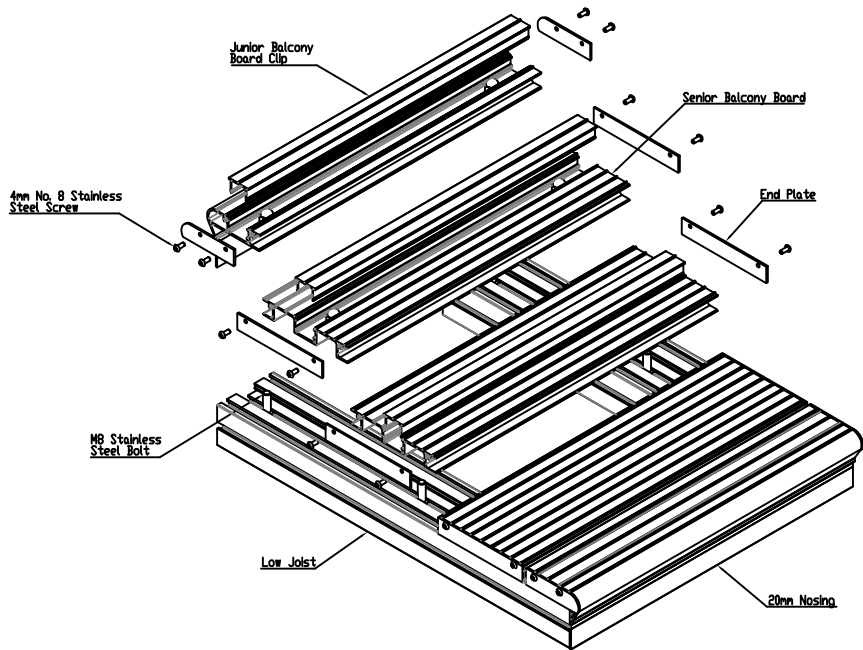
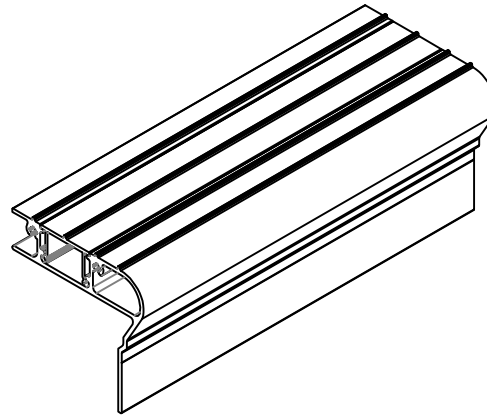


20mm Nosing Profile

Available : 4m & 6m Long  
Can not be joined

SCALE 1:1



ISOMETRIC VIEW

Colour : 10 Standard Colours



From  
This drawing and the product is  
provided to the sole property of  
The Milwood Group & Aldeck.  
any reproduction of this drawing  
or product without the written  
permission of The Milwood Group  
& Aldeck is prohibited.

Drawing Title:  
(Aldeck ) - (20mm Nosing Profile - Standard  
Drawing

Product:  
**20mm Nosing Profile**

Date	Page Size	Scale	Drawn
16-02-21	A2 (L)	1:3	Shyan
Issuer	Sequence	(Tot)	Rev
MIL	000001	1/1	V1
Finish	Page		
PPC	1 of 1		

If in any doubt  
check with us  
We drawing will  
be on 100% DWT



Third Angle Projection