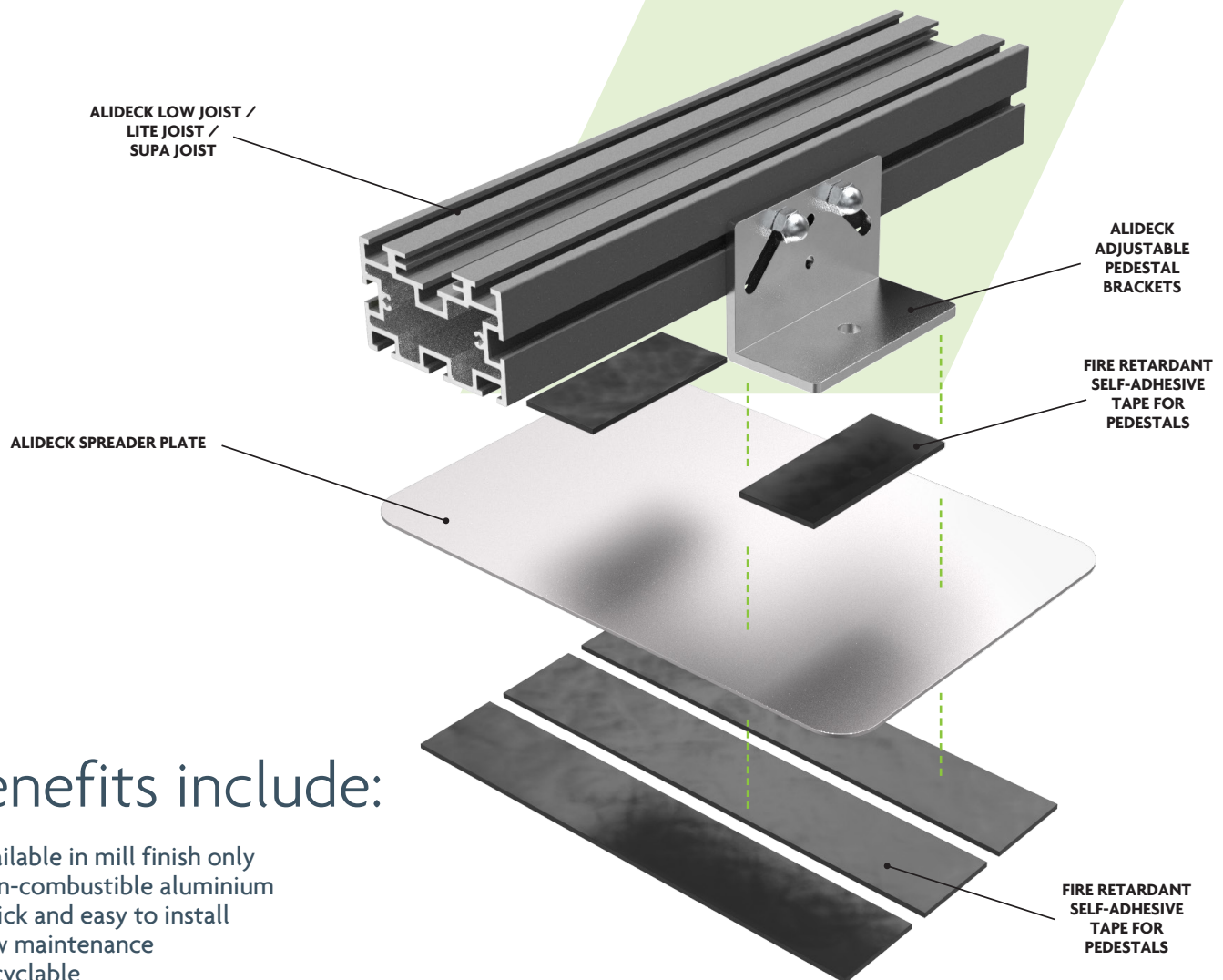


AliDeck SPREADER PLATE

Specification
Datasheet

This simple aluminium plate is used to spread the imposed load of the AliDeck decking system when installing onto waterproof membranes, the plate can be supplied with or without fire retardant double-sided tape to enable you to bond it to the top surface.



Benefits include:

- Available in mill finish only
- Non-combustible aluminium
- Quick and easy to install
- Low maintenance
- Recyclable
- Stable in all weather conditions
- Fire retardant tape

Europa & Jenner House
Victory Park
1-2 Trident Close
Medway City Estate
Rochester
ME2 4ER

Tel: 01622 235 672
Email: info@alideck.co.uk
www.alideck.co.uk

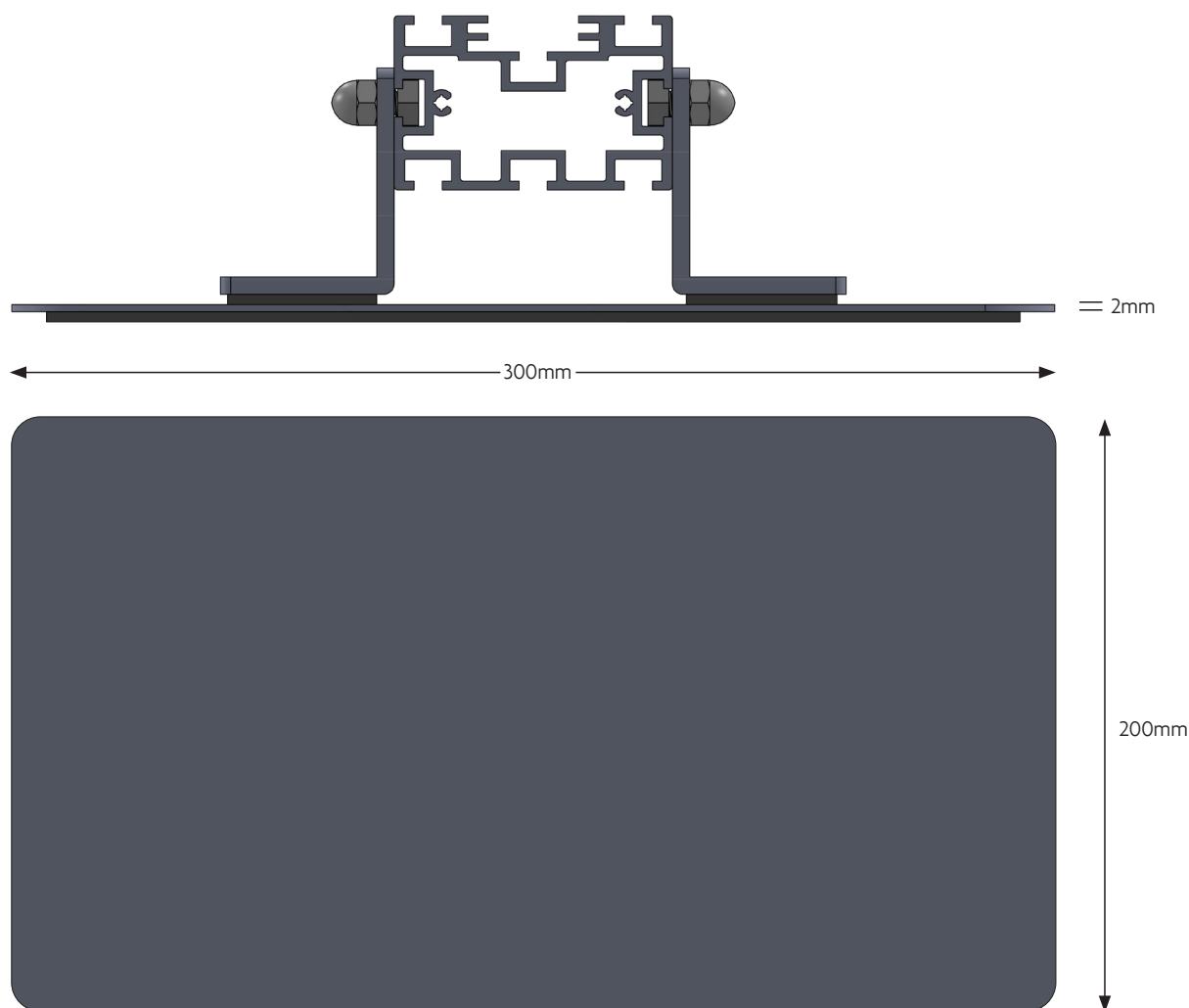
 **ALIDECK**™
Aluminium Decking

Dimensions

The Spreader Plate is 200mm wide x 300mm length x 2mm thick.

Warranty

The Spreader Plate is supplied with a **30 year warranty** against splitting, cracking, warping, splintering, rotting, twisting and material or manufacturing defects. It has a minimum **60 year life** expectancy.



ALL ALUMINIUM



QUICK AND EASY
TO INSTALL



LOW
MAINTENANCE



RECYCLABLE



STABLE IN ALL
WEATHER
CONDITIONS

Europa & Jenner House
Victory Park
1-2 Trident Close
Medway City Estate
Rochester
ME2 4ER

Tel: 01622 235 672
Email: info@alideck.co.uk
www.alideck.co.uk

 **AL:DECK**™
Aluminium Decking