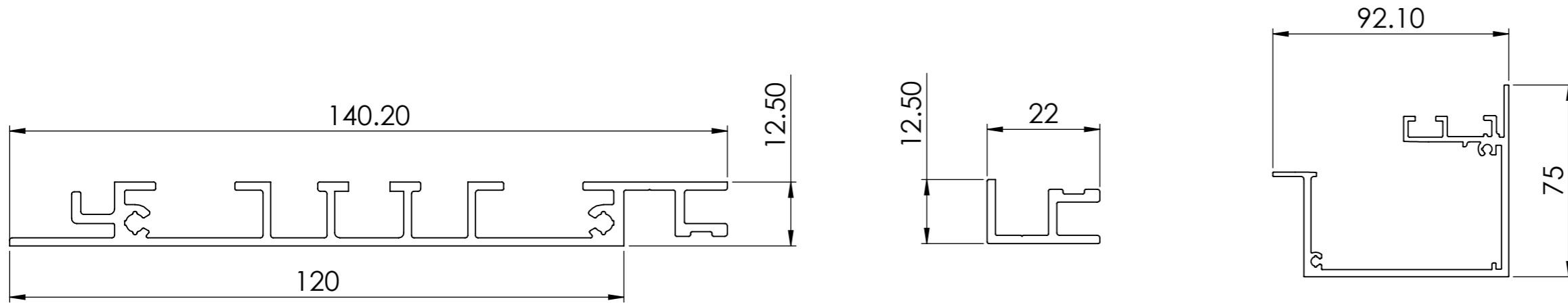


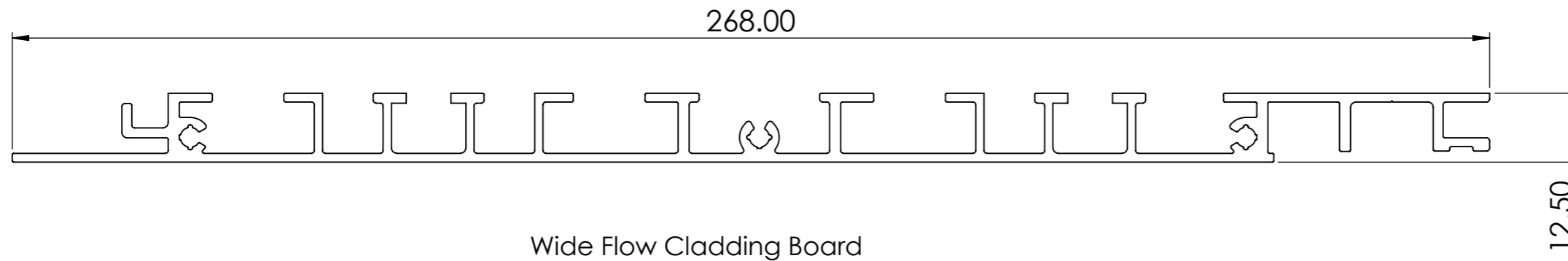
(AliClad Flow - Cladding Profile) - (Standard Drawing)



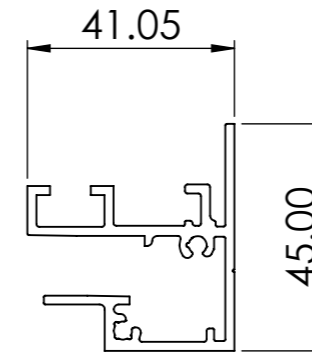
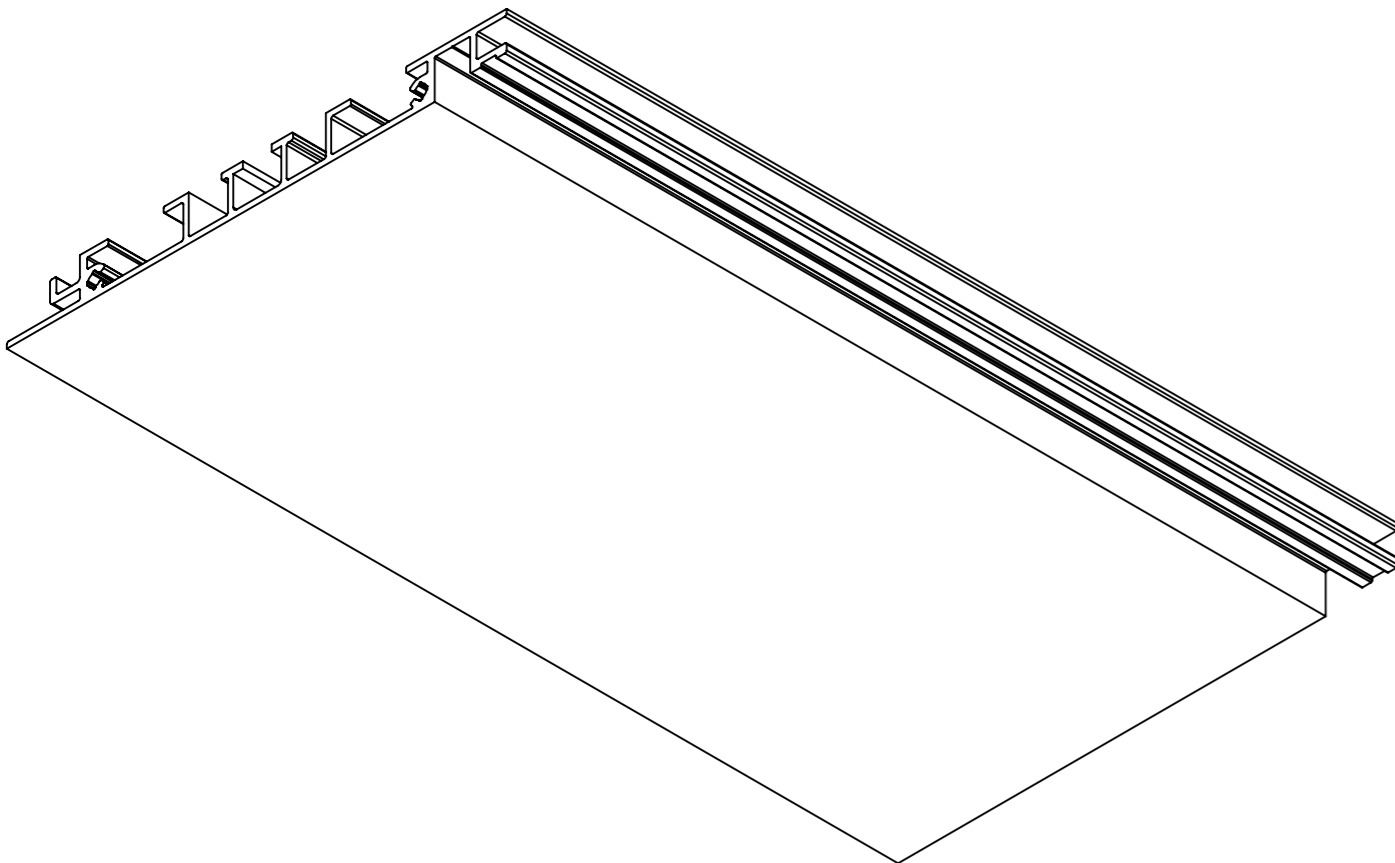
The Flow Cladding Board

The Flow Cladding Starter Trim

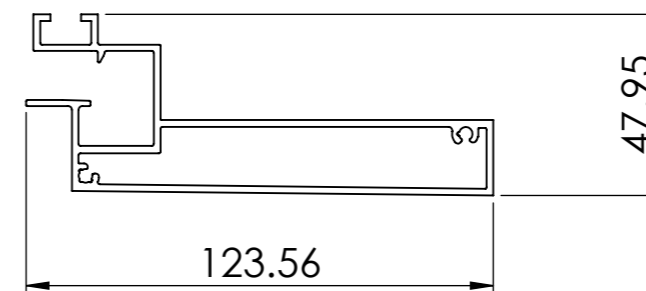
The Wide Flow Cladding Gutter



Wide Flow Cladding Board



The Flow Cladding Support Rail



The Extended Flow Cladding Gutter

Notes.
Example sections of AliClad Flow

Customer Sign Off.

Sign _____

Date _____

Record Of Revision Changes.

1. Creation of drawing (V1)

Colour; Any Standard RAL Colour

Delivery and Storage.

When components are delivered please ensure they are inspected and stored flat, also please ensure they are stored out of the sun. Do not store components upright.

Product Details:

Cladding Profiles



From

This drawing and the product it displays is the sole property of The Milwood Group & Alideck any reproduction of this drawing or product without the written permission of The Milwood Group & Alideck is prohibited.



Drawing Title:

(AliClad Flow - Cladding Profile) - (Standard Drawing)

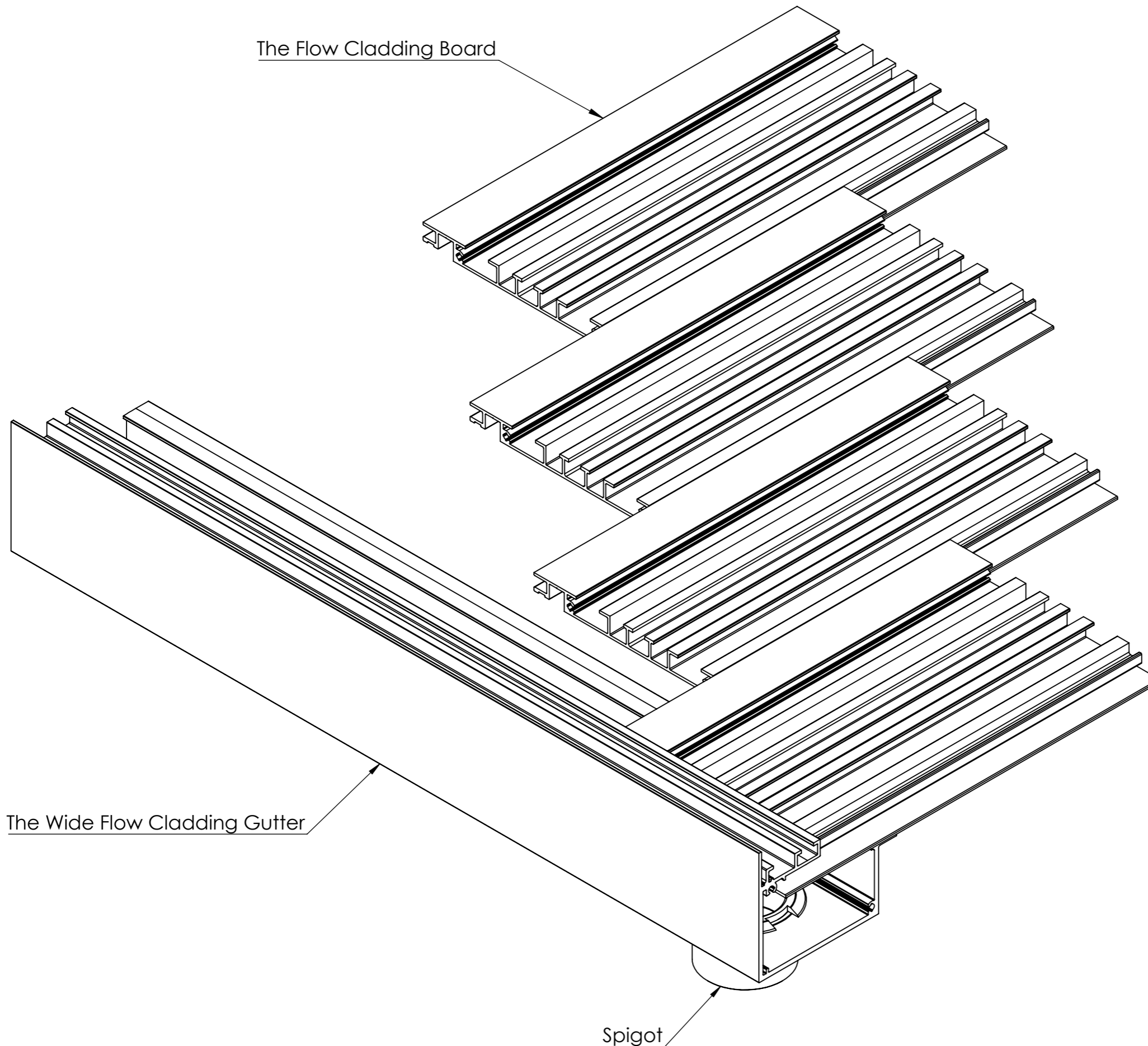
Product:

Cladding Profile

Date	Page Size	Scale	Drawn
20-06-24	A3 (L)	DNS	Shyam
Issuer	Sequence	(Tol)	Rev
MIL	000001	+/- 1mm	V5
If in any doubt about details on this drawing call us on 01622 235 672		Finish	Page
		PPC	1 of 7

Notes.
Example sections of AliClad Flow

Corner Detail



Customer Sign Off.

Sign _____

Date _____

Record Of Revision Changes.

1. Creation of drawing (V1)

Colour; Any Standard RAL Colour

Delivery and Storage.

When components are delivered please ensure they are inspected and stored flat, also please ensure they are stored out of the sun. Do not store components upright.

Product Details:

Cladding Profiles



From

This drawing and the product it displays is the sole property of The Milwood Group & Alideck any reproduction of this drawing or product without the written permission of The Milwood Group & Alideck is prohibited.



Drawing Title:

(AliClad Flow - Cladding Profile) - (Standard Drawing)

Product:

Cladding Profile

Date	Page Size	Scale	Drawn
20-06-24	A3 (L)	DNS	Shyam
Issuer	Sequence	(Tol)	Rev
MIL	000001	+/- 1mm	V5
If in any doubt about details on this drawing call us on 01622 235 672		Finish	Page
		PPC	2 of 7

Notes.
Example sections of AliClad Flow

Customer Sign Off.

Sign _____

Date _____

Record Of Revision Changes.

1. Creation of drawing (V1)

Colour; Any Standard RAL Colour

Delivery and Storage.

When components are delivered please ensure they are inspected and stored flat, also please ensure they are stored out of the sun. Do not store components upright.

Product Details:

Cladding Profiles



From

This drawing and the product it displays is the sole property of The Milwood Group & Alideck any reproduction of this drawing or product without the written permission of The Milwood Group & Alideck is prohibited.

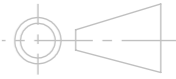


Drawing Title:

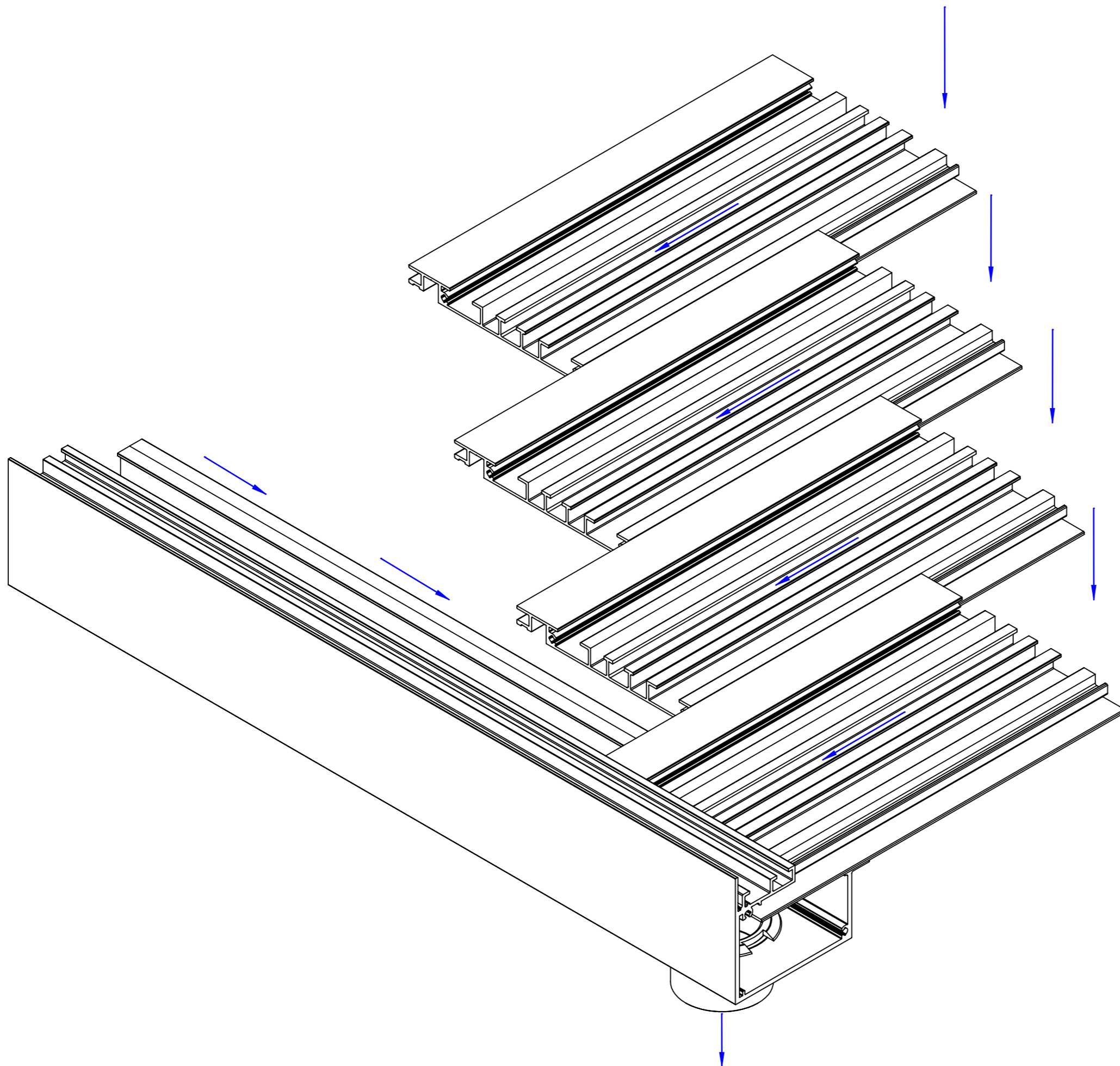
(AliClad Flow - Cladding Profile) - (Standard Drawing)

Product:

Cladding Profile

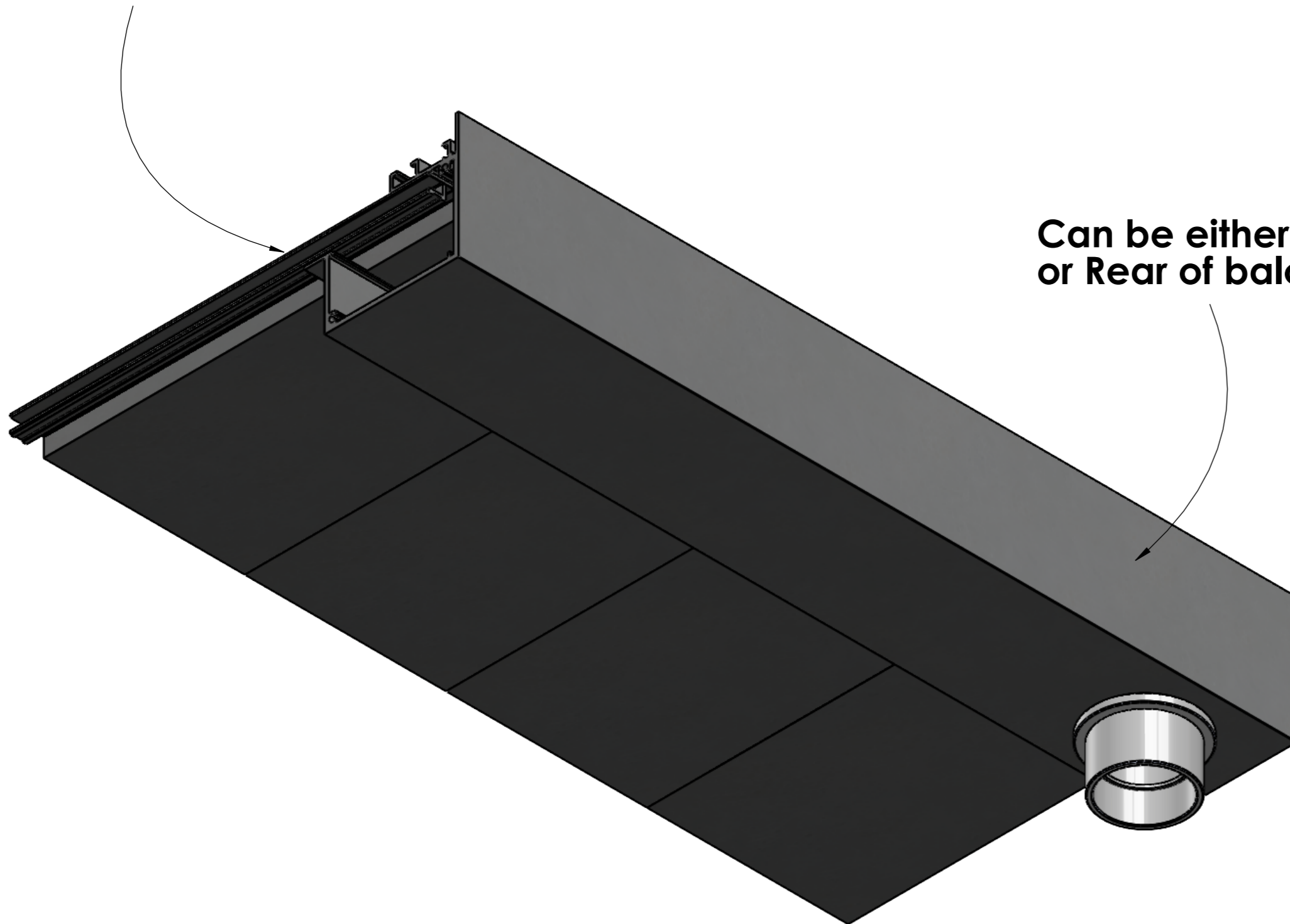
Date 20-06-24	Page Size A3 (L)	Scale DNS	Drawn Shyam
Issuer MIL	Sequence 000001	(Tol) +/- 1mm	Rev V5
If in any doubt about details on this drawing call us on 01622 235 672	 3rd Angle Projection	Finish PPC	Page 3 of 7

DIRECTION OF FLUID



Notes.
Example sections of AliClad Flow

Corner section from underside



Can be either Front or Rear of balcony

Customer Sign Off.

Sign _____

Date _____

Record Of Revision Changes.

1. Creation of drawing (V1)

Colour; Any Standard RAL Colour

Delivery and Storage.

When components are delivered please ensure they are inspected and stored flat, also please ensure they are stored out of the sun. Do not store components upright.

Product Details:

Cladding Profiles



From

This drawing and the product it displays is the sole property of The Milwood Group & Alideck any reproduction of this drawing or product without the written permission of The Milwood Group & Alideck is prohibited.



Drawing Title:

(AliClad Flow - Cladding Profile) - (Standard Drawing)

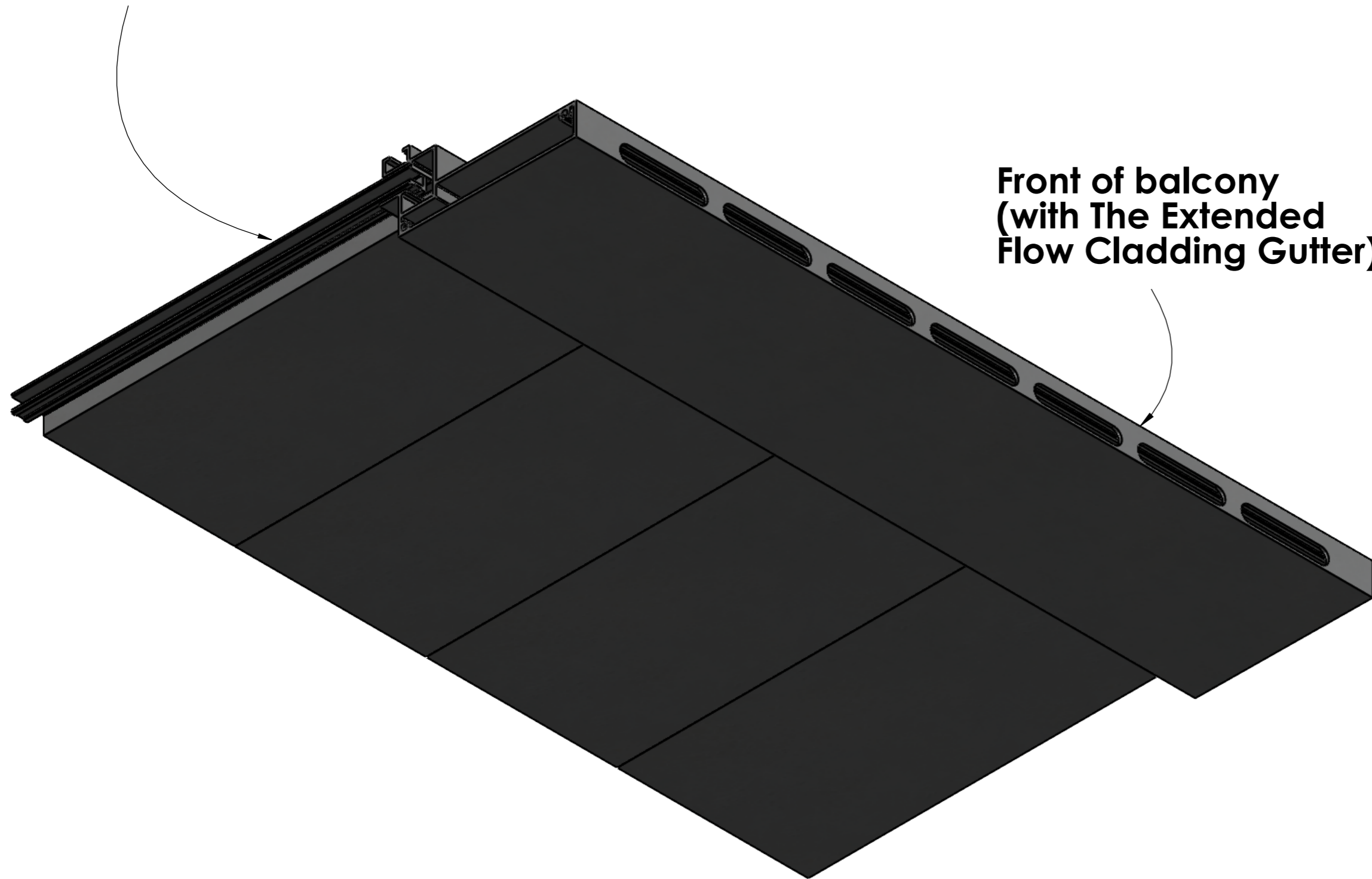
Product:

Cladding Profile

Date	Page Size	Scale	Drawn
20-06-24	A3 (L)	DNS	Shyam
Issuer	Sequence	(Tol)	Rev
MIL	000001	+/- 1mm	V5
If in any doubt about details on this drawing call us on 01622 235 672		Finish	Page
		PPC	4 of 7

Notes.
Example sections of AliClad Flow

Corner section from underside



**Front of balcony
(with The Extended
Flow Cladding Gutter)**

Customer Sign Off.

Sign _____

Date _____

Record Of Revision Changes.

1. Creation of drawing (V1)

Colour; Any Standard RAL
Colour

Delivery and Storage.

When components are delivered please ensure they are inspected and stored flat, also please ensure they are stored out of the sun. Do not store components upright.

Product Details:

Cladding Profiles



From

This drawing and the product it displays is the sole property of The Milwood Group & Alideck any reproduction of this drawing or product without the written permission of The Milwood Group & Alideck is prohibited.




Drawing Title:

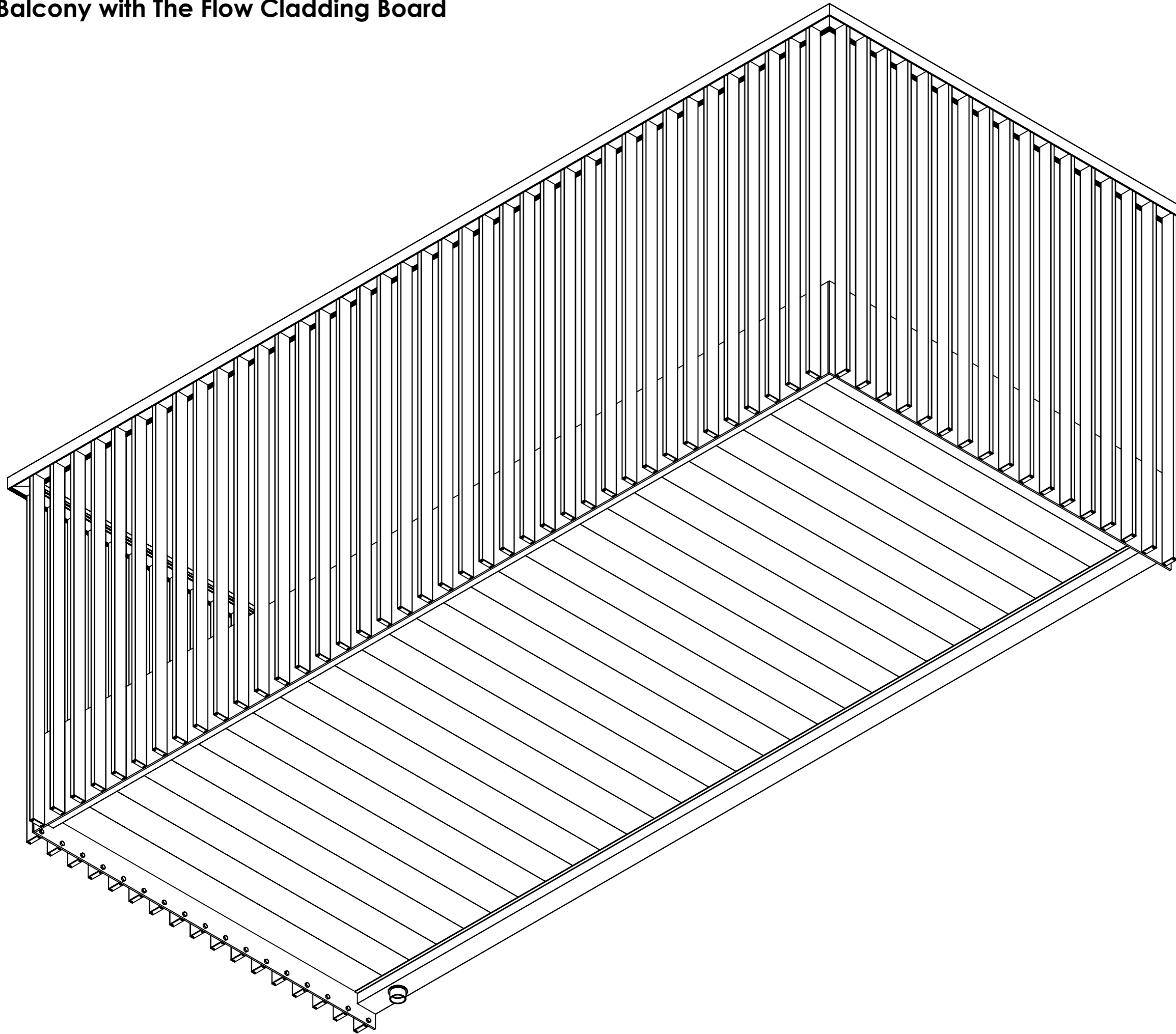
(AliClad Flow - Cladding Profile) - (Standard Drawing)

Product:

Cladding Profile

Date	Page Size	Scale	Drawn
20-06-24	A3 (L)	DNS	Shyam
Issuer	Sequence	(Tol)	Rev
MIL	000001	+/- 1mm	V5
If in any doubt about details on this drawing call us on 01622 235 672		Finish	Page
	3rd Angle Projection	PPC	5 of 7

Balcony with The Flow Cladding Board



Notes.
Example sections of AliClad Flow

Customer Sign Off.

Sign _____

Date _____

Record Of Revision Changes.

1. Creation of drawing (V1)

Colour; Any Standard RAL Colour

Delivery and Storage.

When components are delivered please ensure they are inspected and stored flat, also please ensure they are stored out of the sun. Do not store components upright.

Product Details:

Cladding Profiles



From

This drawing and the product it displays is the sole property of The Milwood Group & Alideck any reproduction of this drawing or product without the written permission of The Milwood Group & Alideck is prohibited.

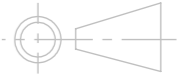


Drawing Title:

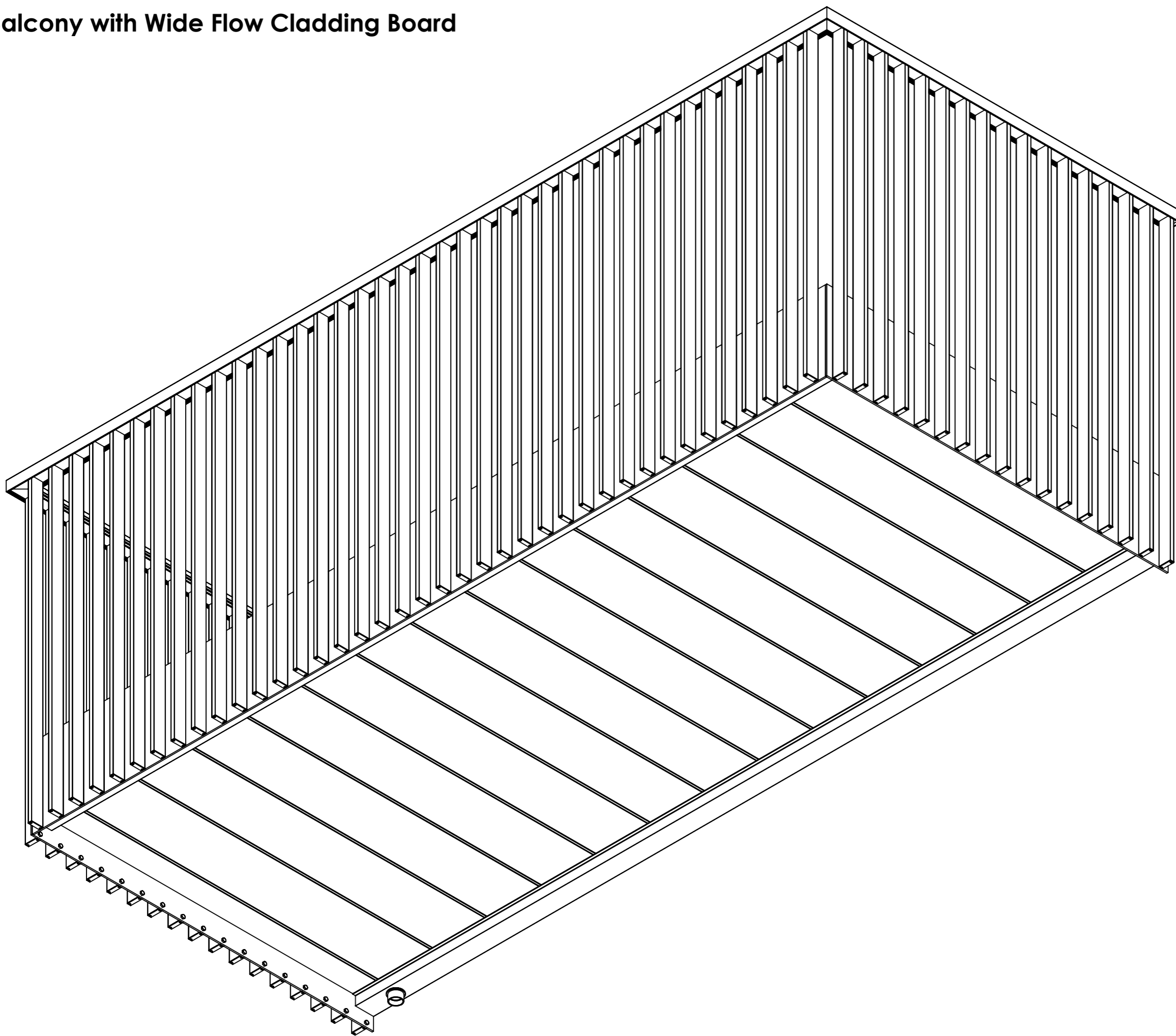
(AliClad Flow - Cladding Profile) - (Standard Drawing)

Product:

Cladding Profile

Date	Page Size	Scale	Drawn
20-06-24	A3 (L)	DNS	Shyam
Issuer	Sequence	(Tol)	Rev
MIL	000001	+/- 1mm	V5
If in any doubt about details on this drawing call us on 01622 235 672		Finish	Page
		PPC	6 of 7

Balcony with Wide Flow Cladding Board



Notes.
Example sections of AliClad Flow

Customer Sign Off.

Sign _____

Date _____

Record Of Revision Changes.

1. Creation of drawing (V1)

Colour; Any Standard RAL Colour

Delivery and Storage.

When components are delivered please ensure they are inspected and stored flat, also please ensure they are stored out of the sun. Do not store components upright.

Product Details:

Cladding Profiles



From

This drawing and the product it displays is the sole property of The Milwood Group & Alideck any reproduction of this drawing or product without the written permission of The Milwood Group & Alideck is prohibited.




Drawing Title:

(AliClad Flow - Cladding Profile) - (Standard Drawing)

Product:

Cladding Profile

Date 20-06-24	Page Size A3 (L)	Scale DNS	Drawn Shyam
Issuer MIL	Sequence 000001	(Tol) +/- 1mm	Rev V5
If in any doubt about details on this drawing call us on 01622 235 672		Finish PPC	Page 7 of 7