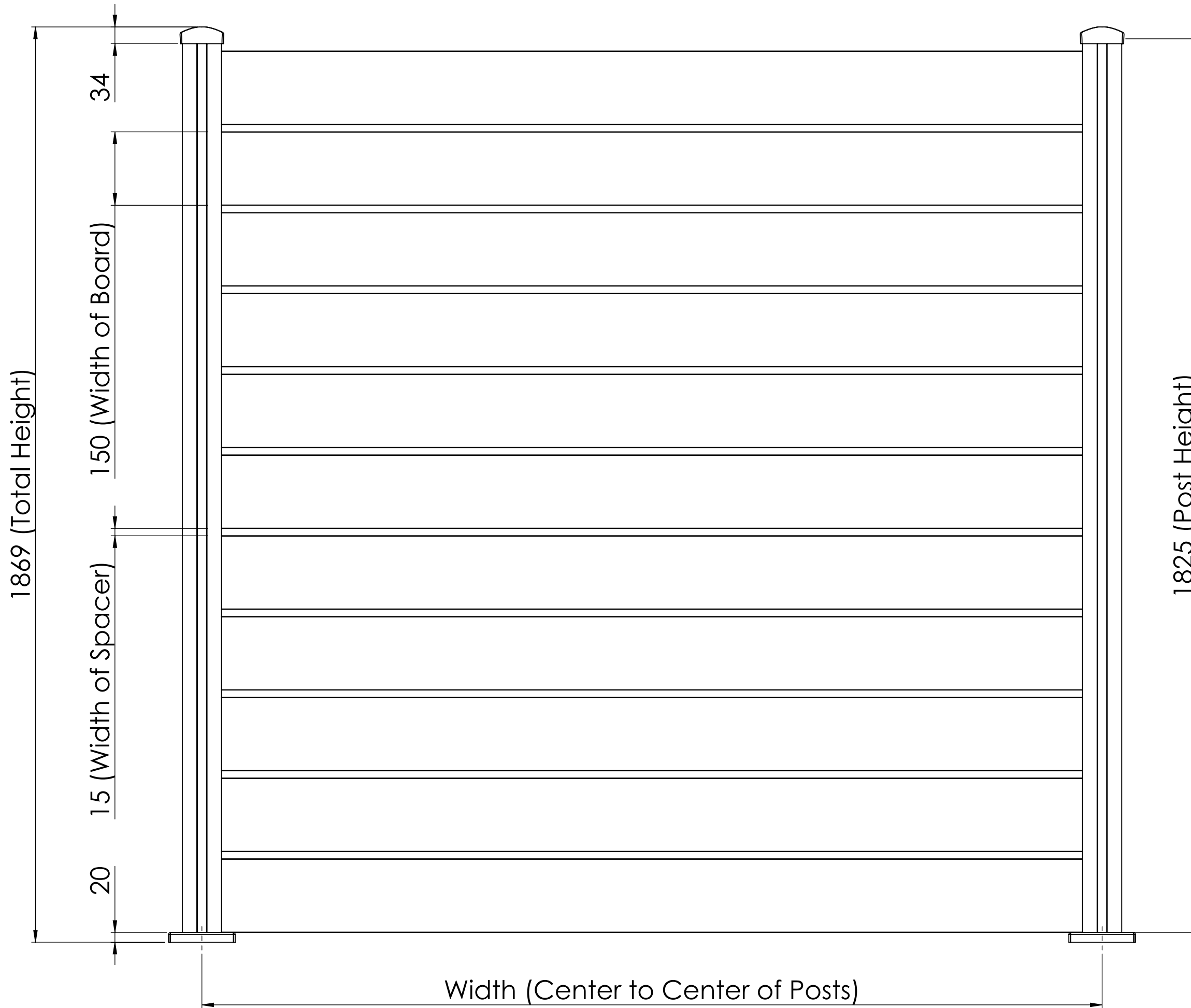


(AFence) - (Aluminium Fence - 150mm Board with 15mm Spacing) - (Standard Drawing)



Notes.
 Contractor to be responsible for checking this scheme against architects drawings/site requirements and to advise AFence immediately of any discrepancies. Orders placed against AFence drawing reference assume approval of this scheme. Any materials required over and above the quantities given, will be charged accordingly.

Customer Sign Off.
 Sign _____
 Date _____

Record Of Revision Changes.
 1. Creation of drawing (V1)
Colour ; Only 2 colours available Anthracite Grey RAL 7016 textured and Jet Black RAL 9005 textured

Delivery and Storage.
 When delivered check that all boards and posts are present. Check whether the boards or posts have suffered any visible damage in transit Damaged panels must be noted on the delivery document and replaced if necessary. The boards and posts are delivered on a pallet (protected) and should also be stored this way on site. Do not store boards or posts standing upright.

Product Details:

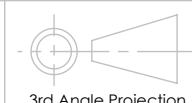


From
 This drawing and the product it displays is the sole property of AFence & AliDeck any reproduction of this drawing or product without the written permission of AFence & AliDeck is prohibited.

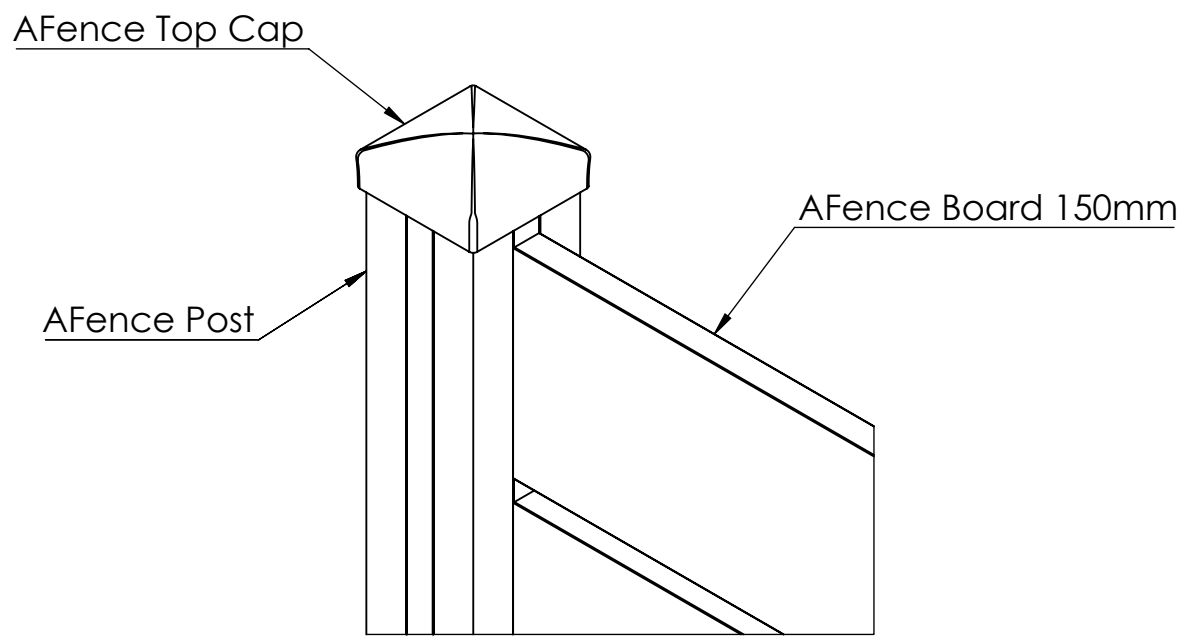
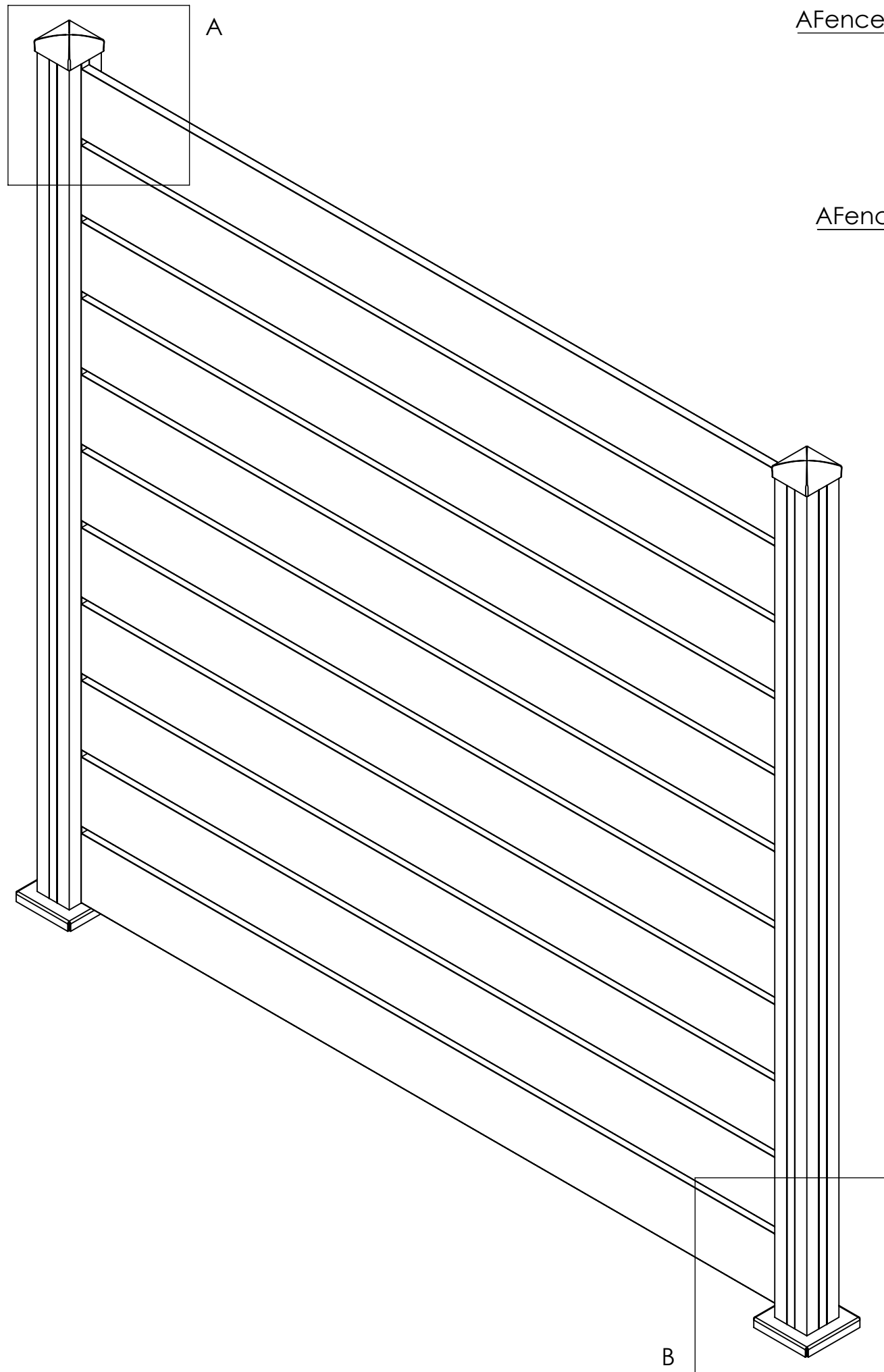


Drawing Title:
(AFence) - (Aluminium Fence - 150mm Board with 15mm Spacing) - (Standard Drawing)

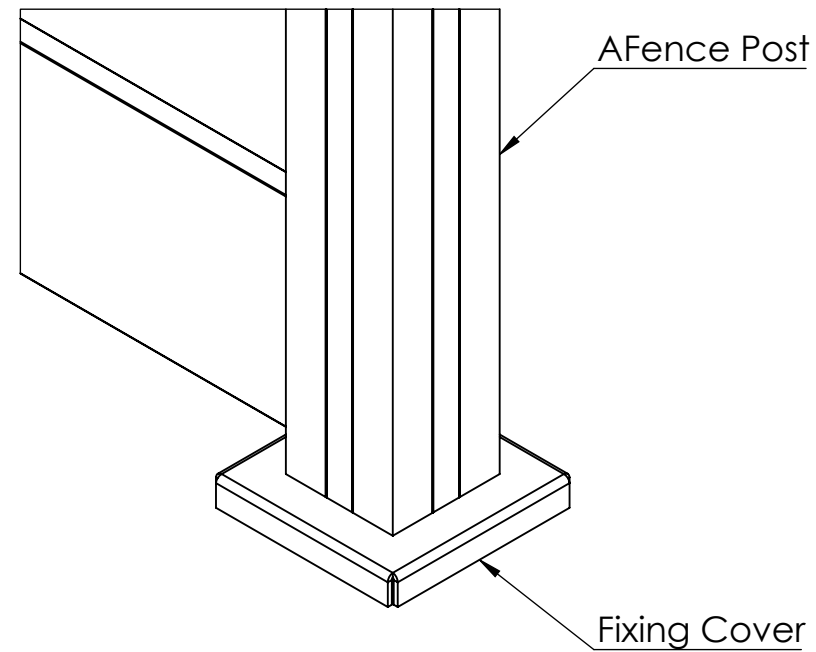
Product:
 A Fence - Aluminium Fence - 150mm Board

Date 23-06-22	Page Size A3 (L)	Scale DNS	Drawn Shyam
Issuer MIL	Sequence 000001	(Tol) +/- 1mm	Rev V1
If in any doubt about details on this drawing call us on 01622 235 672		Finish PPC	Page 1 of 2

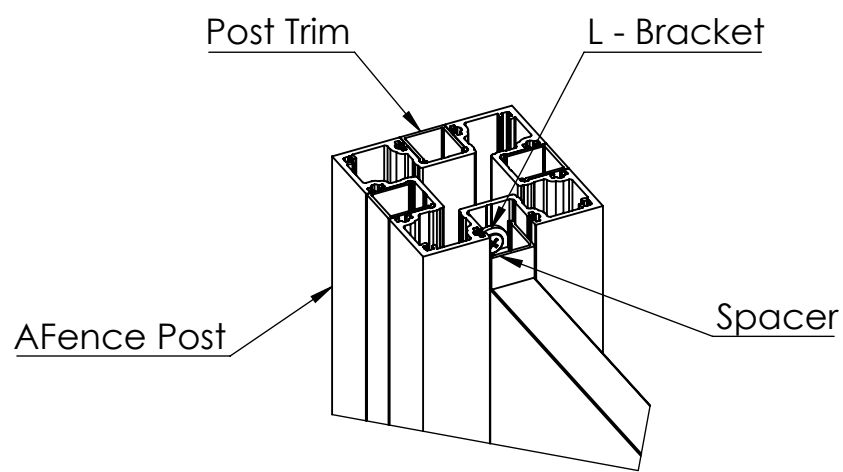
(AFence) - (Aluminium Fence - 150mm Board with 15mm Spacing) - (Standard Drawing)



DETAIL A



DETAIL B



DETAIL F

Notes.
Contractor to be responsible for checking this scheme against architects drawings/site requirements and to advise AFence immediately of any discrepancies. Orders placed against AFence drawing reference assume approval of this scheme. Any materials required over and above the quantities given, will be charged accordingly.

Customer Sign Off.
Sign _____
Date _____

Record Of Revision Changes.
1. Creation of drawing (V1)
Colour ; Only 2 colours available Anthracite Grey RAL 7016 textured and Jet Black RAL 9005 textured

Delivery and Storage.
When delivered check that all boards and posts are present. Check whether the boards or posts have suffered any visible damage in transit Damaged panels must be noted on the delivery document and replaced if necessary. The boards and posts are delivered on a pallet (protected) and should also be stored this way on site. Do not store boards or posts standing upright.

Product Details:

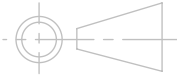


From
This drawing and the product it displays is the sole property of AFence & AliDeck any reproduction of this drawing or product without the written permission of AFence & AliDeck is prohibited.



Drawing Title:
(AFence) - (Aluminium Fence - 150mm Board with 15mm Spacing) - (Standard Drawing)

Product:
A Fence - Aluminium Fence - 150mm Board

Date 23-06-22	Page Size A3 (L)	Scale DNS	Drawn Shyam
Issuer MIL	Sequence 000001	(Tol) +/- 1mm	Rev V1
If in any doubt about details on this drawing call us on 01622 235 672		Finish PPC	Page 2 of 2