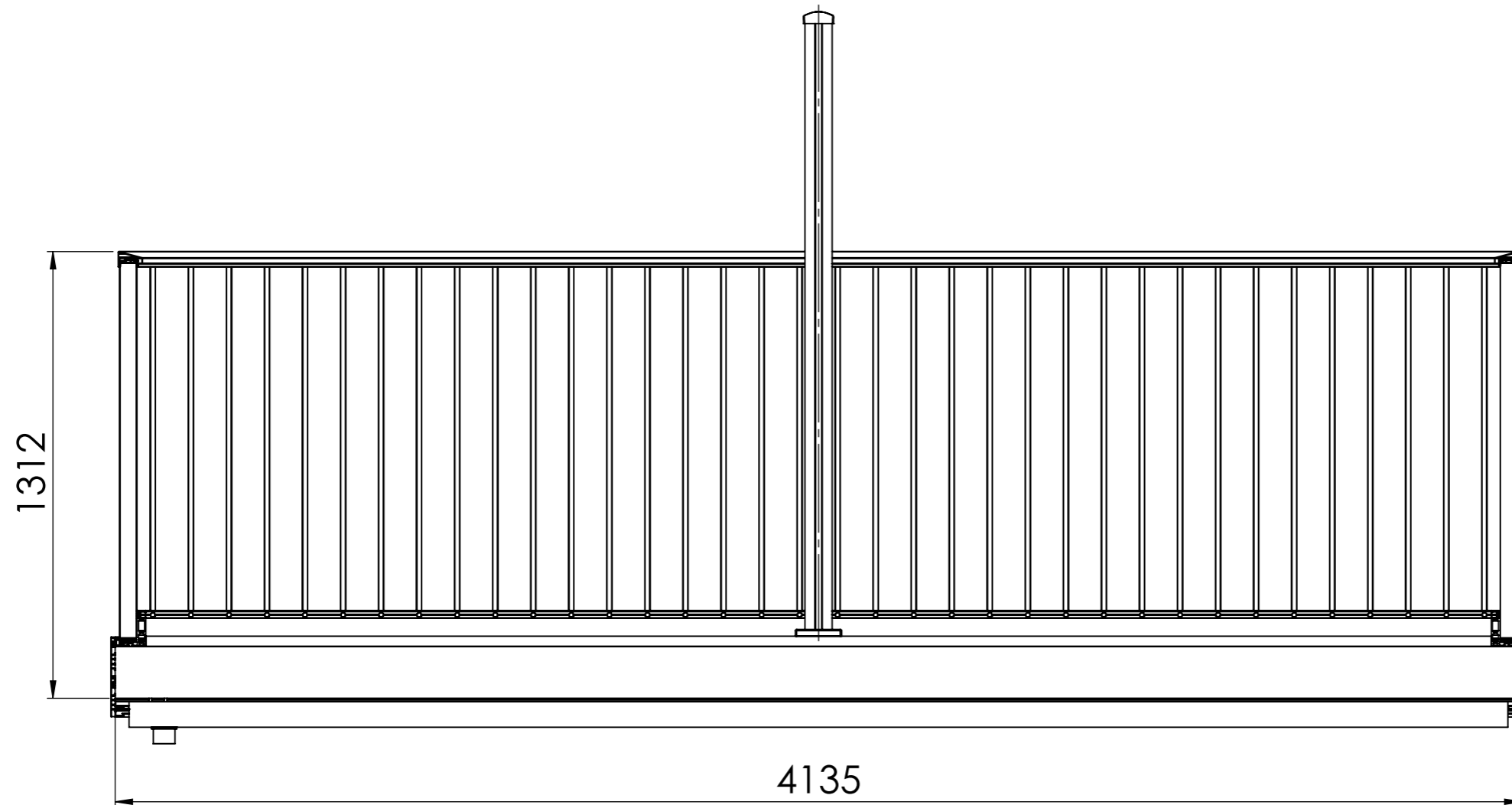
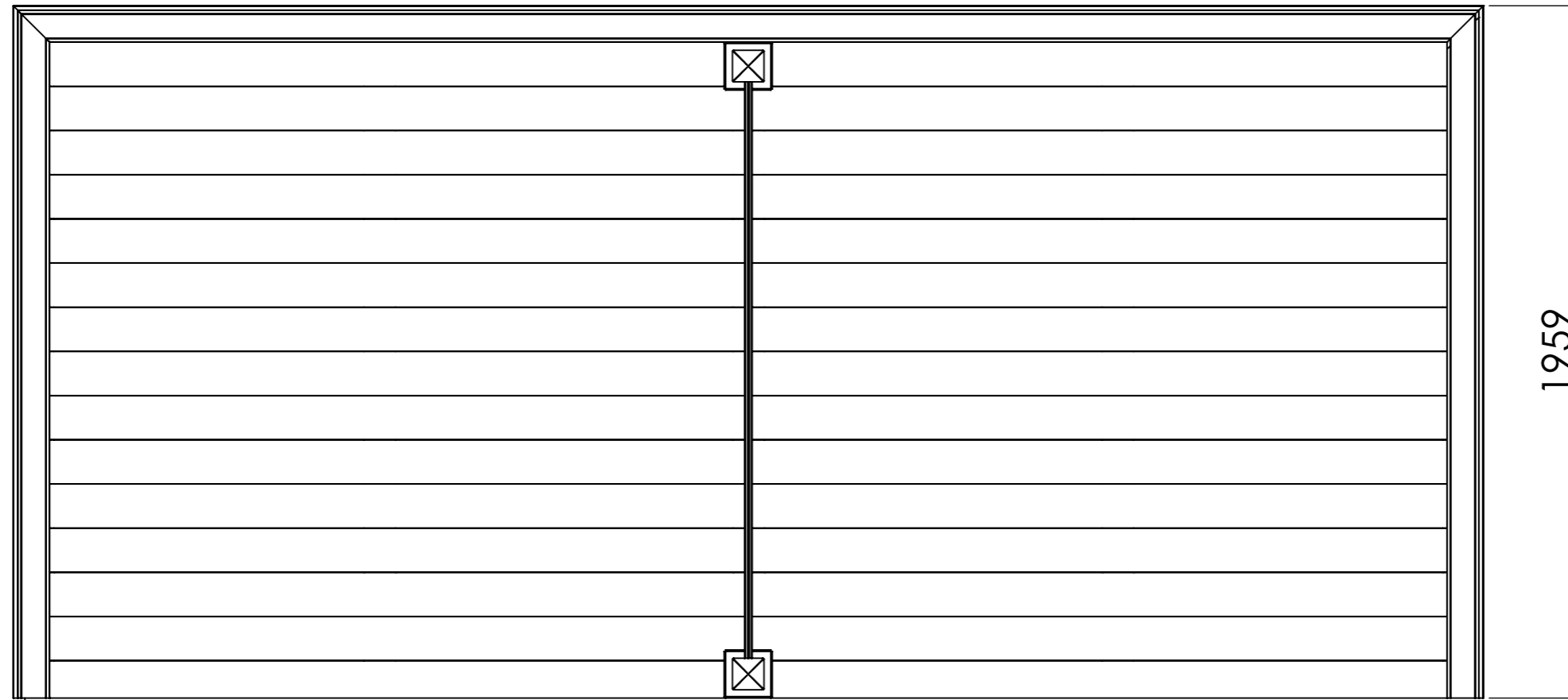


# A Fence Balcony Divider



### Notes.

Contractor to be responsible for checking this scheme against architects drawings/site requirements and to advise AFence immediately of any discrepancies. Orders placed against AFence drawing reference assume approval of this scheme. Any materials required over and above the quantities given, will be charged accordingly.

### Customer Sign Off.

Sign \_\_\_\_\_

Date \_\_\_\_\_

### Record Of Revision Changes.

1. Creation of drawing (V1)

**Colour** ; Only 2 colours available Anthracite Grey RAL 7016 textured and Jet Black RAL 9005 textured

### Delivery and Storage.

When delivered check that all boards and posts are present. Check whether the boards or posts have suffered any visible damage in transit Damaged panels must be noted on the delivery document and replaced if necessary. The boards and posts are delivered on a pallet (protected) and should also be stored this way on site. Do not store boards or posts standing upright.

### Product Details:



From

This drawing and the product it displays is the sole property of AFence & AliDeck any reproduction of this drawing or product without the written permission of AFence & AliDeck is prohibited.



### Drawing Title:

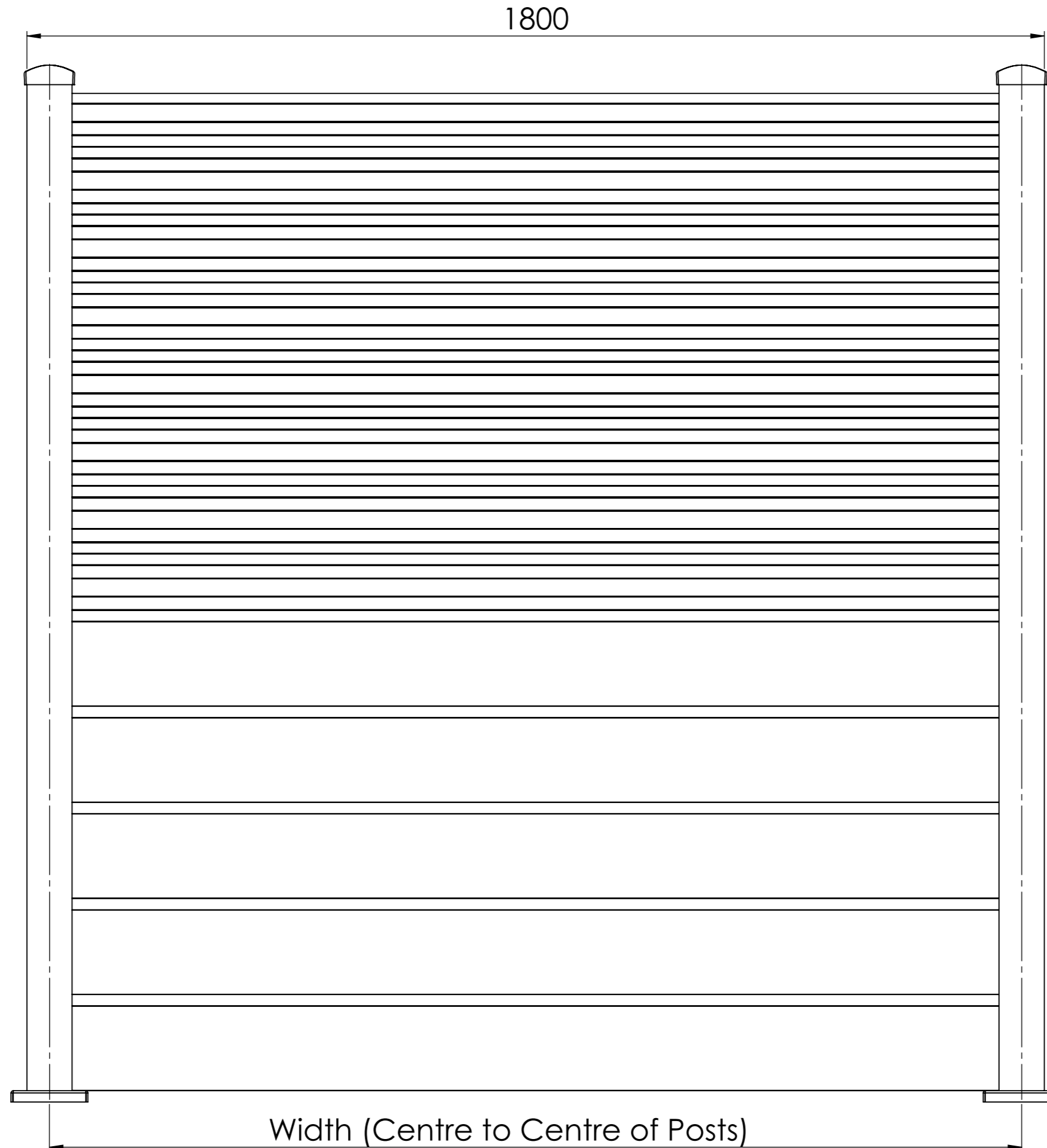
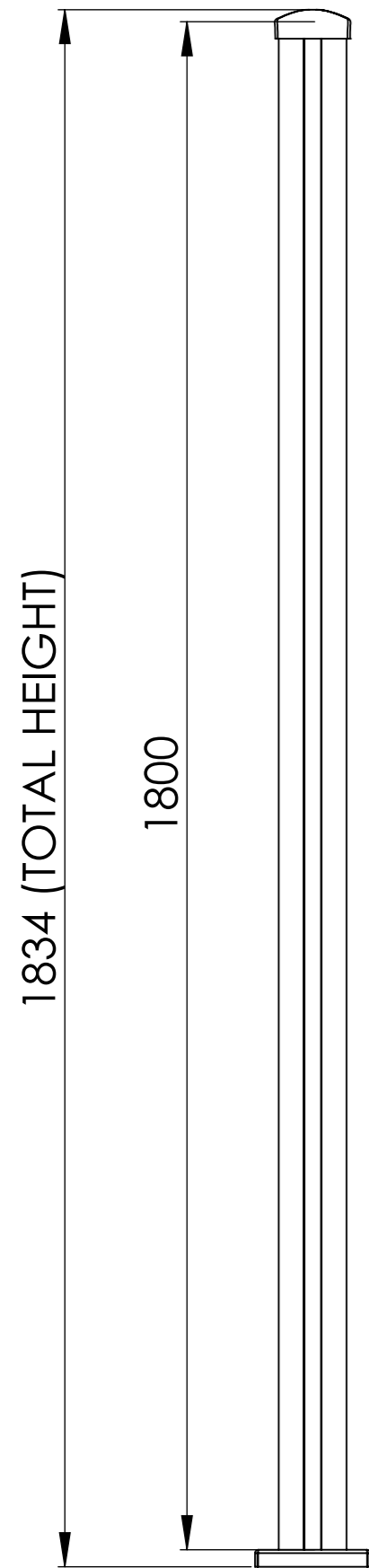
A Fence Balcony Divider

### Product:

A Fence Balcony Divider

Date	Page Size	Scale	Drawn
14-11-23	A3 (L)	DNS	ARUN
Issuer	Sequence	(Tol)	Rev
MIL	000001	+/- 1mm	V1
If in any doubt about details on this drawing call us on 01622 235 672		Finish	Page
		PPC	1 of 4

# A Fence Balcony Divider



**Notes.**  
Contractor to be responsible for checking this scheme against architects drawings/site requirements and to advise AFence immediately of any discrepancies. Orders placed against AFence drawing reference assume approval of this scheme. Any materials required over and above the quantities given, will be charged accordingly.

**Customer Sign Off.**

Sign \_\_\_\_\_

Date \_\_\_\_\_

**Record Of Revision Changes.**

- Creation of drawing (V1)

**Colour ;** Only 2 colours available Anthracite Grey RAL 7016 textured and Jet Black RAL 9005 textured

**Delivery and Storage.**

When delivered check that all boards and posts are present. Check whether the boards or posts have suffered any visible damage in transit Damaged panels must be noted on the delivery document and replaced if necessary. The boards and posts are delivered on a pallet (protected) and should also be stored this way on site. Do not store boards or posts standing upright.

**Product Details:**



From

This drawing and the product it displays is the sole property of AFence & AliDeck any reproduction of this drawing or product without the written permission of AFence & AliDeck is prohibited.




**Drawing Title:**

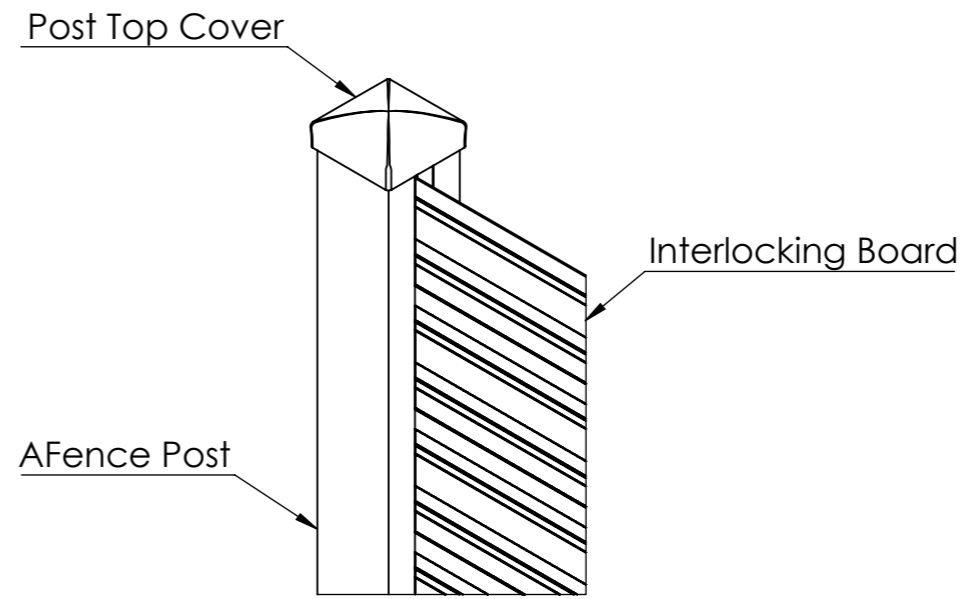
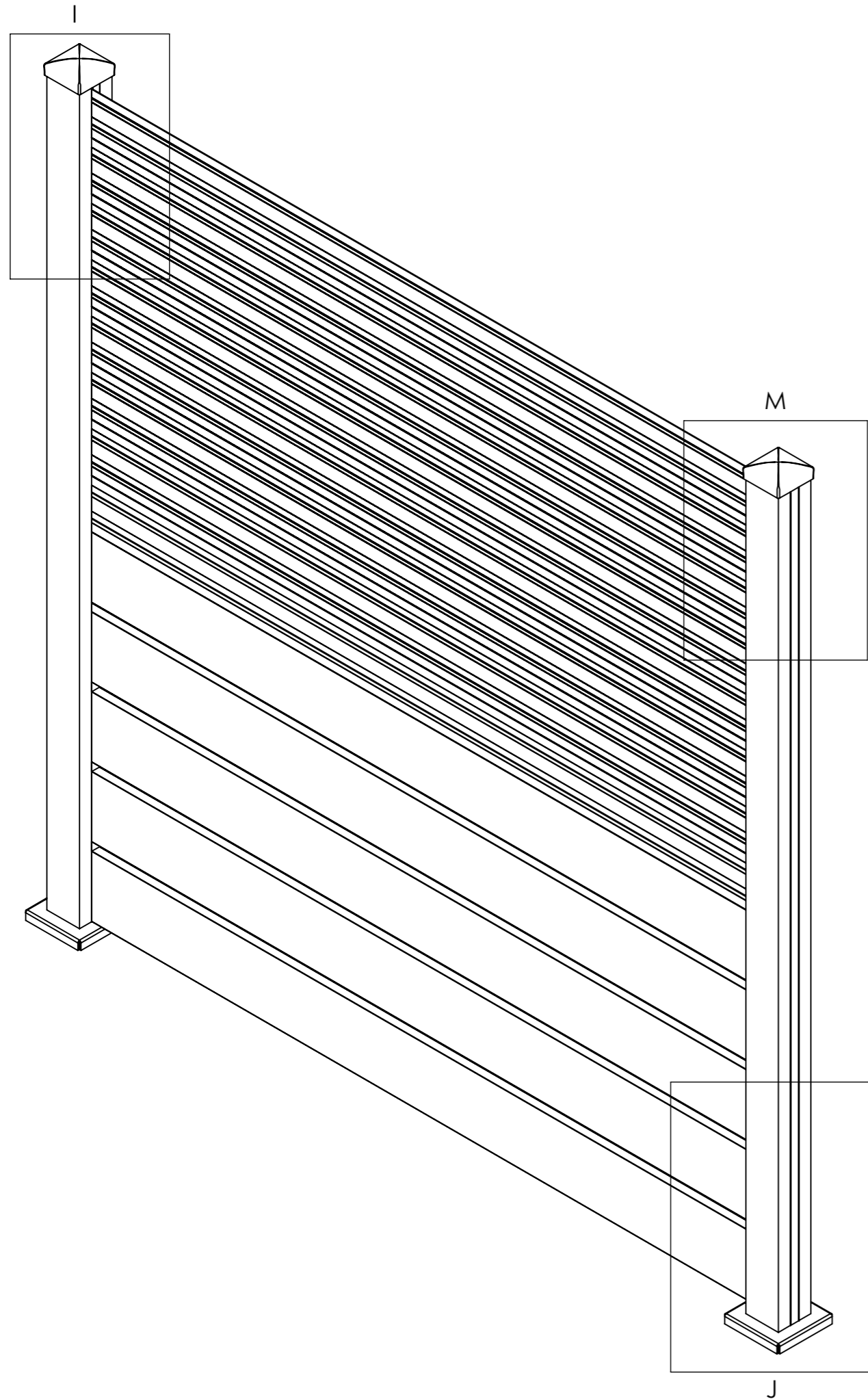
A Fence Balcony Divider

**Product:**

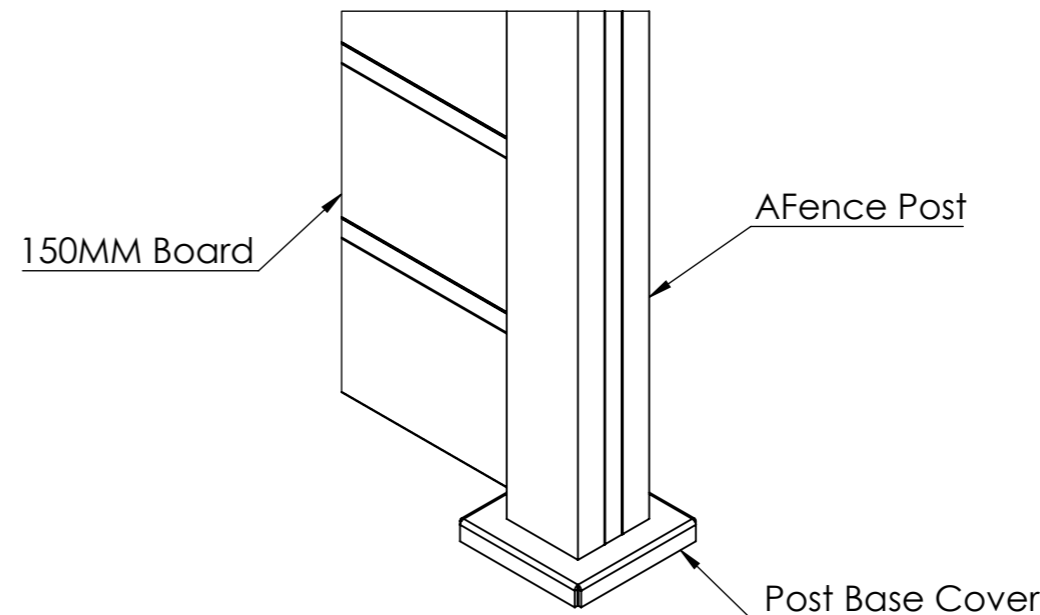
A Fence Balcony Divider

Date	Page Size	Scale	Drawn
14-11-23	A3 (L)	DNS	ARUN
Issuer	Sequence	(Tol)	Rev
MIL	000001	+/- 1mm	V1
If in any doubt about details on this drawing call us on 01622 235 672		Finish	Page
	3rd Angle Projection	PPC	2 of 4

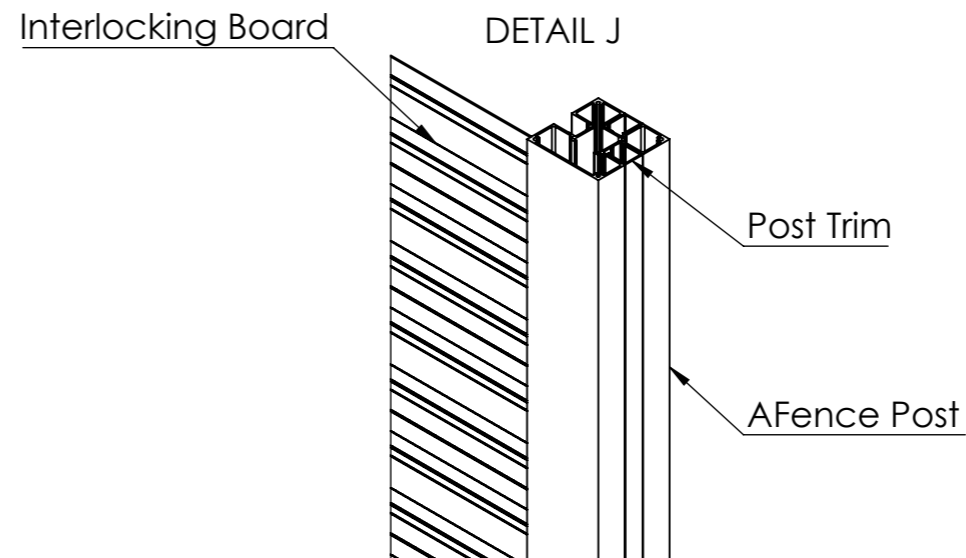
# A Fence Balcony Divider



DETAIL I



DETAIL J



DETAIL M

**Notes.**  
Contractor to be responsible for checking this scheme against architects drawings/site requirements and to advise AFence immediately of any discrepancies. Orders placed against AFence drawing reference assume approval of this scheme. Any materials required over and above the quantities given, will be charged accordingly.

**Customer Sign Off.**

Sign \_\_\_\_\_

Date \_\_\_\_\_

**Record Of Revision Changes.**

- Creation of drawing (V1)

**Colour ;** Only 2 colours available Anthracite Grey RAL 7016 textured and Jet Black RAL 9005 textured

**Delivery and Storage.**

When delivered check that all boards and posts are present. Check whether the boards or posts have suffered any visible damage in transit Damaged panels must be noted on the delivery document and replaced if necessary. The boards and posts are delivered on a pallet (protected) and should also be stored this way on site. Do not store boards or posts standing upright.

**Product Details:**



From

This drawing and the product it displays is the sole property of AFence & AliDeck any reproduction of this drawing or product without the written permission of AFence & AliDeck is prohibited.



**Drawing Title:**

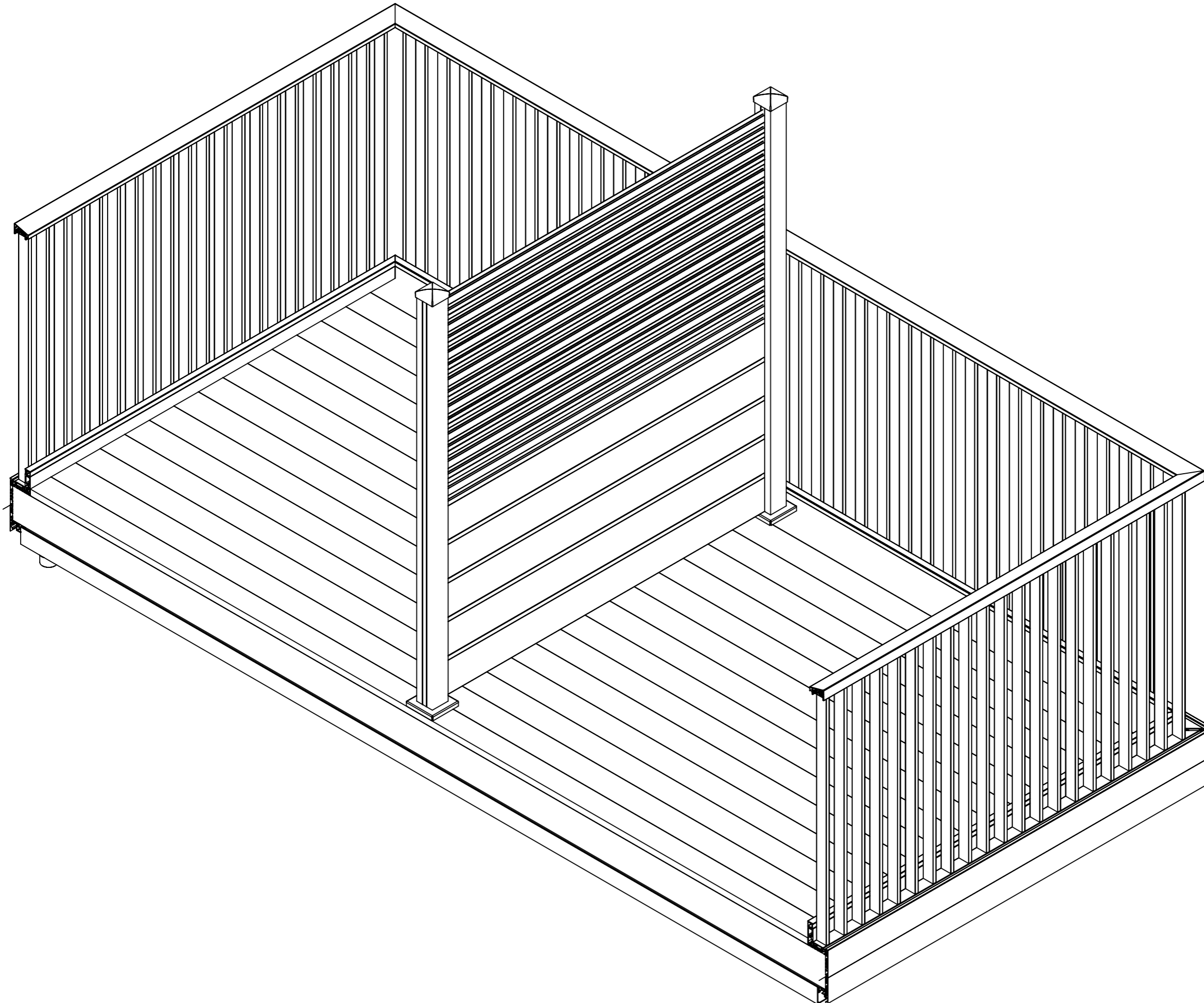
A Fence Balcony Divider

**Product:**

A Fence Balcony Divider

Date	Page Size	Scale	Drawn
14-11-23	A3 (L)	DNS	ARUN
Issuer	Sequence	(Tol)	Rev
MIL	000001	+/- 1mm	V1
If in any doubt about details on this drawing call us on 01622 235 672		Finish	Page
		PPC	3 of 4

# A Fence Balcony Divider



**Notes.**

Contractor to be responsible for checking this scheme against architects drawings/site requirements and to advise AFence immediately of any discrepancies. Orders placed against AFence drawing reference assume approval of this scheme. Any materials required over and above the quantities given, will be charged accordingly.

**Customer Sign Off.**

Sign \_\_\_\_\_

Date \_\_\_\_\_

**Record Of Revision Changes.**

1. Creation of drawing (V1)

**Colour ;** Only 2 colours available Anthracite Grey RAL 7016 textured and Jet Black RAL 9005 textured

**Delivery and Storage.**

When delivered check that all boards and posts are present. Check whether the boards or posts have suffered any visible damage in transit Damaged panels must be noted on the delivery document and replaced if necessary. The boards and posts are delivered on a pallet (protected) and should also be stored this way on site. Do not store boards or posts standing upright.

**Product Details:**



From

This drawing and the product it displays is the sole property of AFence & AliDeck any reproduction of this drawing or product without the written permission of AFence & AliDeck is prohibited.

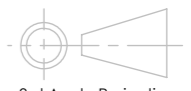


**Drawing Title:**

*A Fence Balcony Divider*

**Product:**

*A Fence Balcony Divider*

Date	Page Size	Scale	Drawn
14-11-23	A3 (L)	DNS	ARUN
Issuer	Sequence	(Tol)	Rev
MIL	000001	+/- 1mm	V1
If in any doubt about details on this drawing call us on 01622 235 672		Finish	Page
	3rd Angle Projection	PPC	4 of 4