

# A-Fence BALCONY DIVIDER

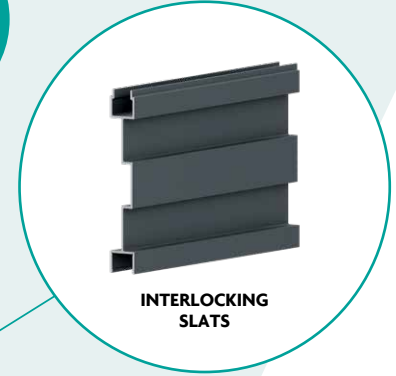


## Specification Datasheet

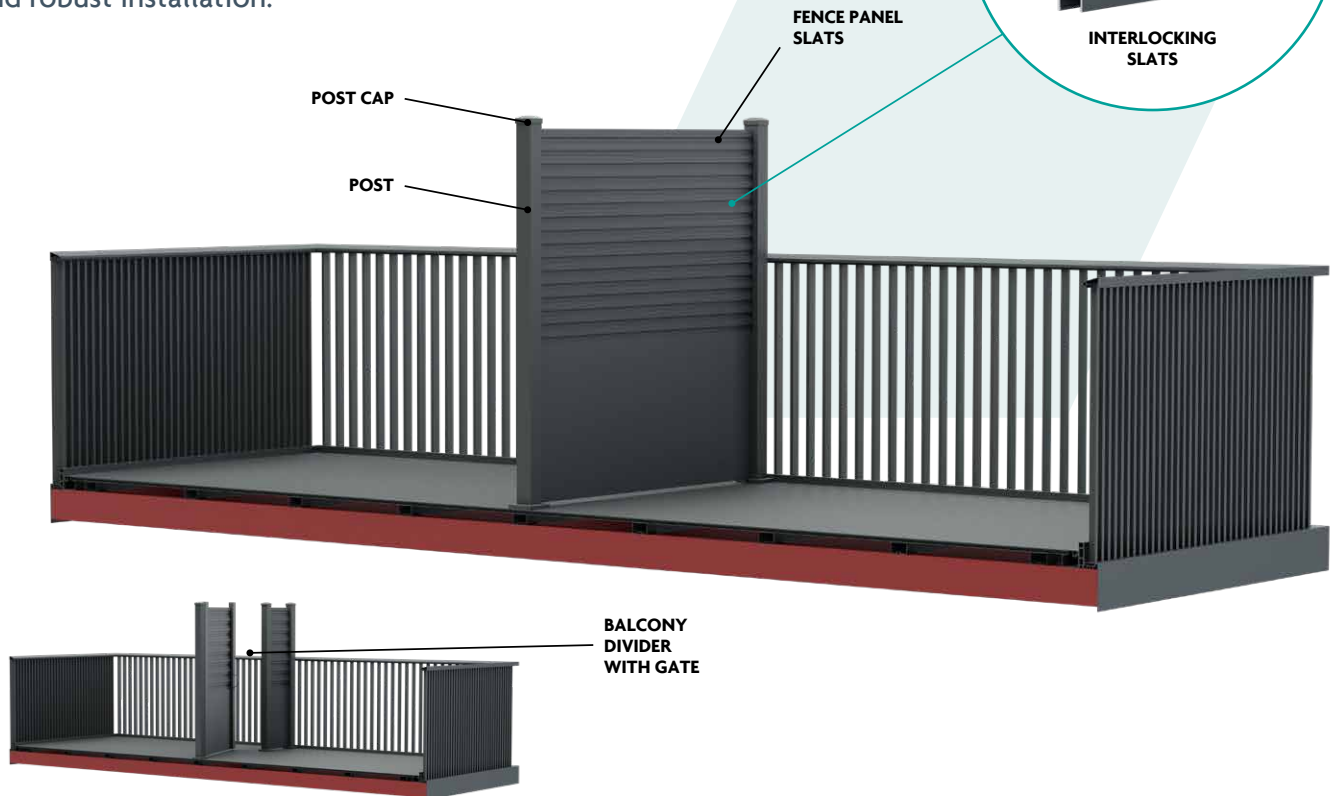
### INTERLOCKING OPTION

Manufactured entirely out of Aluminium, A-Fence is the perfect addition to your balcony solutions. Requiring very few components to achieve a safe, aesthetic and and robust installation.

A2-s1, d0  
A2fl-s1  
FIRE  
RATED

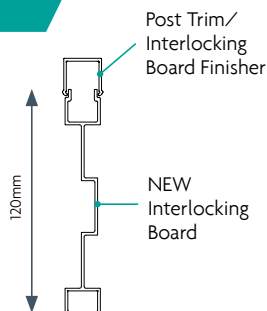


INTERLOCKING  
SLATS



### Dimensions

#### SLAT PROFILE



### Benefits include:

- 30 year guarantee
- A2-s1, d0 Fire Rated
- 1.8m span between posts
- Simple fixing for hassle free installation
- Modular system
- Available in Textured Anthracite Grey 7016 or Jet Black 9005

# A-Fence FENCE PANELS



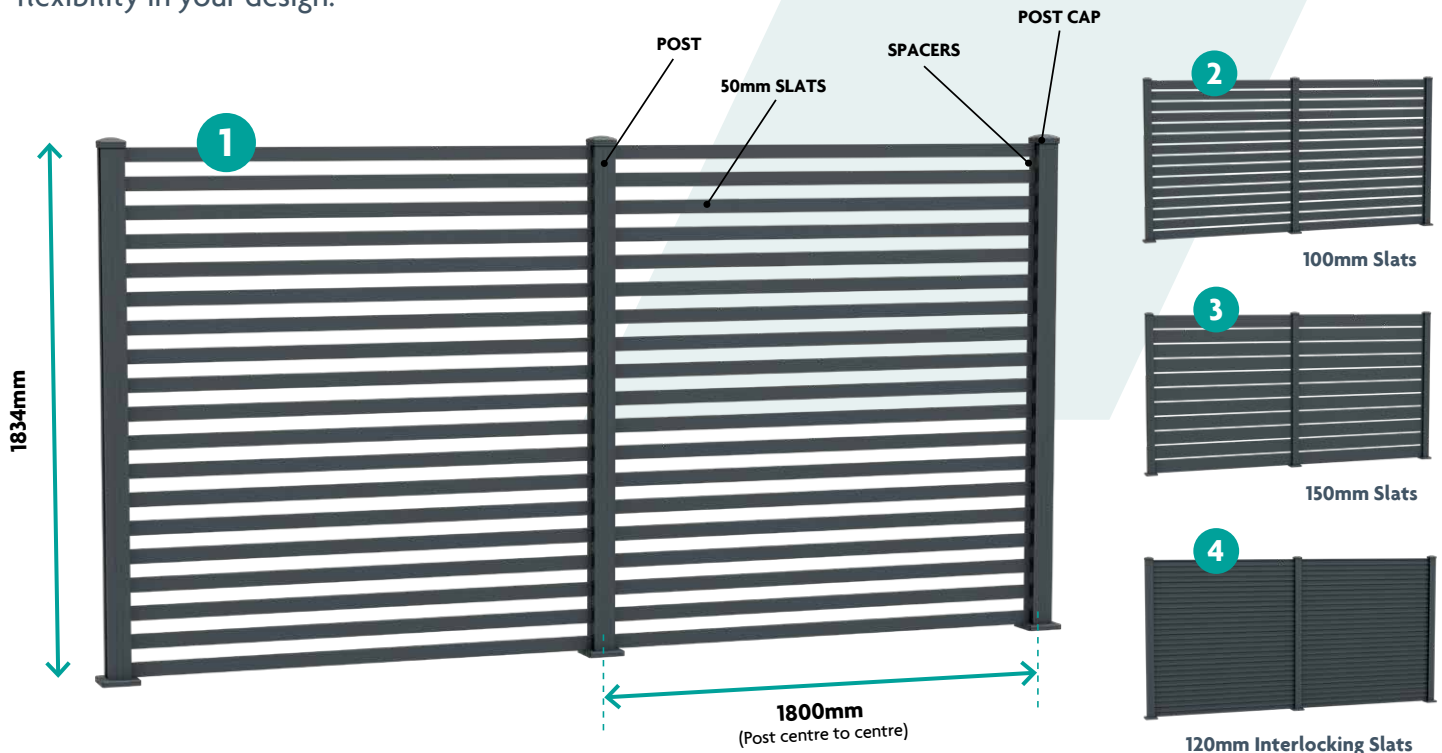
## Specification Datasheet

**4**  
DIFFERENT  
SLAT SIZES

**A2-s1, d0  
A2fl-s1  
FIRE  
RATED**

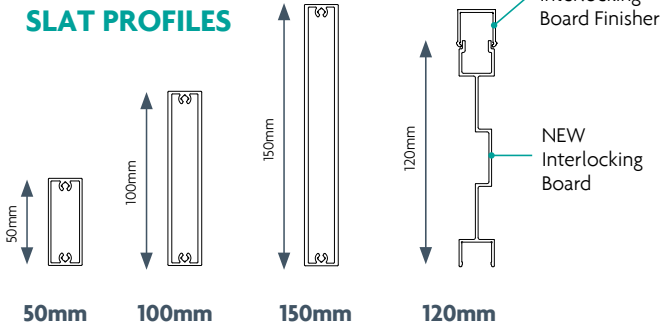
### SLATTED OPTION

A choice of 4 different slat options allows you to make your divider or privacy screen unique with all options interchangeable. Giving you complete flexibility in your design.



### Dimensions

#### SLAT PROFILES



### Benefits include:

- 30 year guarantee
- A2-s1, d0 Fire Rated
- 1.8m span between posts
- Simple fixing for hassle free installation
- Modular system
- Available in Textured Anthracite Grey 7016 or Jet Black 9005

# A-Fence GATE

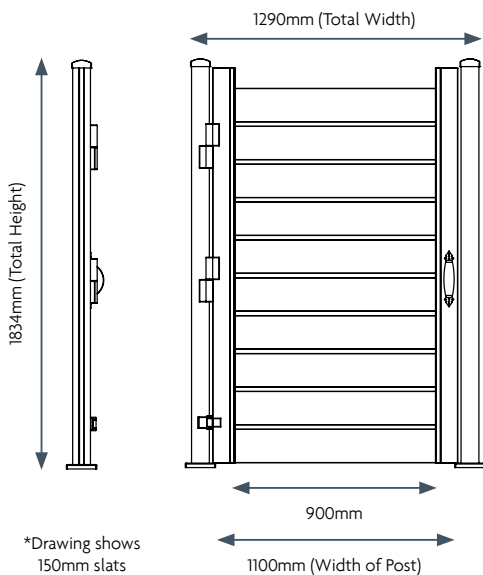


## Specification Datasheet

Whilst A-Fence offers a great solution for your balcony divider requirements there will be a need to install gates for access on some balconies. This is where our matching gate solution resolves this issue. With seamless integration into the A-Fence system and of course manufactured from Aluminium and finished in durable powder coat to ensure project success.

A2-s1, d0  
A2fl-s1  
FIRE  
RATED

### Dimensions



FULLY  
MODULAR  
DESIGN



### Benefits include:

- 30 year guarantee
- A2-s1, d0 Fire Rated
- 1100mm width between post
- Simple fixing for hassle free installation
- Modular system
- Available in Textured Anthracite Grey 7016 or Jet Black 9005

# Product Specification

- Fire resistant: A2-s1, d0
- Coating thickness - 60-80 microns
- Impact test - with an energy of 2.5kJ to ensure that the coating adheres to the substrate to EN ISO 6272 / ASTM D2794
- Bend test - on 5mm mandrel to ensure adhesion after bending to EN ISO 1519
- Machu Test (accelerated corrosion test) - in a solution made up of sodium chloride acetic acid and hydrogen peroxide at 37 °C Duration 48 hours
- Qualicoat 2.4.1. - cross hatch cuts are made at 2mm spacings with one being at 90 degrees to the other cut, tape is applied left for 2 minutes and removed to check for adhesion of paint (EN ISO 2409 2013)
- Qualicoat 2.18 - sawing and drilling test to ensure no flaking after cutting (using sharp tools)
- Acid salt spray test - ISO 9227
- EN ISO 3231 - Resistance to humid atmospheres containing Sulphur Dioxide
- EN ISO 11341 - Accelerated weathering test
- EN ISO 20810 - Natural weathering test (Florida Test) (Carried out on Powder Type)
- EN ISO 12206-1 - Resistance to mortar (Carried out on powder type)
- EN ISO 6270 – 2 - Constant climate condensation water test.

## Protective Finish

The A-Fence is coloured using the Qualicoat powder coating finish. Qualicoat is a quality label organisation committed to maintaining and promoting the quality of coating on aluminium and its alloys for architectural applications.

## Installation

A-Fences simple fixing system with minimal parts allows for speedy installation on-site.

## Construction

The A-Fence is constructed completely from 100% aluminium (6063 T6 grade), up to 67% of which has been recycled to make these joists eco-friendly and much better for the environment.

## Maintenance

Due to the fact that AliRail is aluminium and finished using the 7 stage Qualicoat system, little or no maintenance is required. General grime can be removed simply with a damp, lint-free cloth or mop with warm soapy water.

## Colour Options

Available finishes include our 2 standard colours, (RAL 7016 & 9005) all in a sleek powder-coat, providing a range of aesthetically pleasing options to suit any property.



ANTHRACITE  
GREY  
RAL 7016



JET BLACK  
RAL 9005

## Warranty

The A-Fence is supplied with a **30 year warranty** against splitting, cracking, warping, splintering, rotting, twisting and material or manufacturing defects. It has a minimum **60 year life expectancy**.



A2-S1, D0  
FIRE RATED



ALL ALUMINIUM



QUICK AND EASY  
TO INSTALL



HEAT  
RESISTANT



LOW  
MAINTENANCE



RECYCLABLE



STABLE IN ALL  
WEATHER  
CONDITIONS

Europa & Jenner House  
Victory Park  
1-2 Trident Close  
Medway City Estate  
Rochester ME2 4ER

Tel: 01622 235 672  
Email: [info@alideck.co.uk](mailto:info@alideck.co.uk)  
[www.alideck.co.uk](http://www.alideck.co.uk)

 **A-FENCE**  
Aluminium Fencing